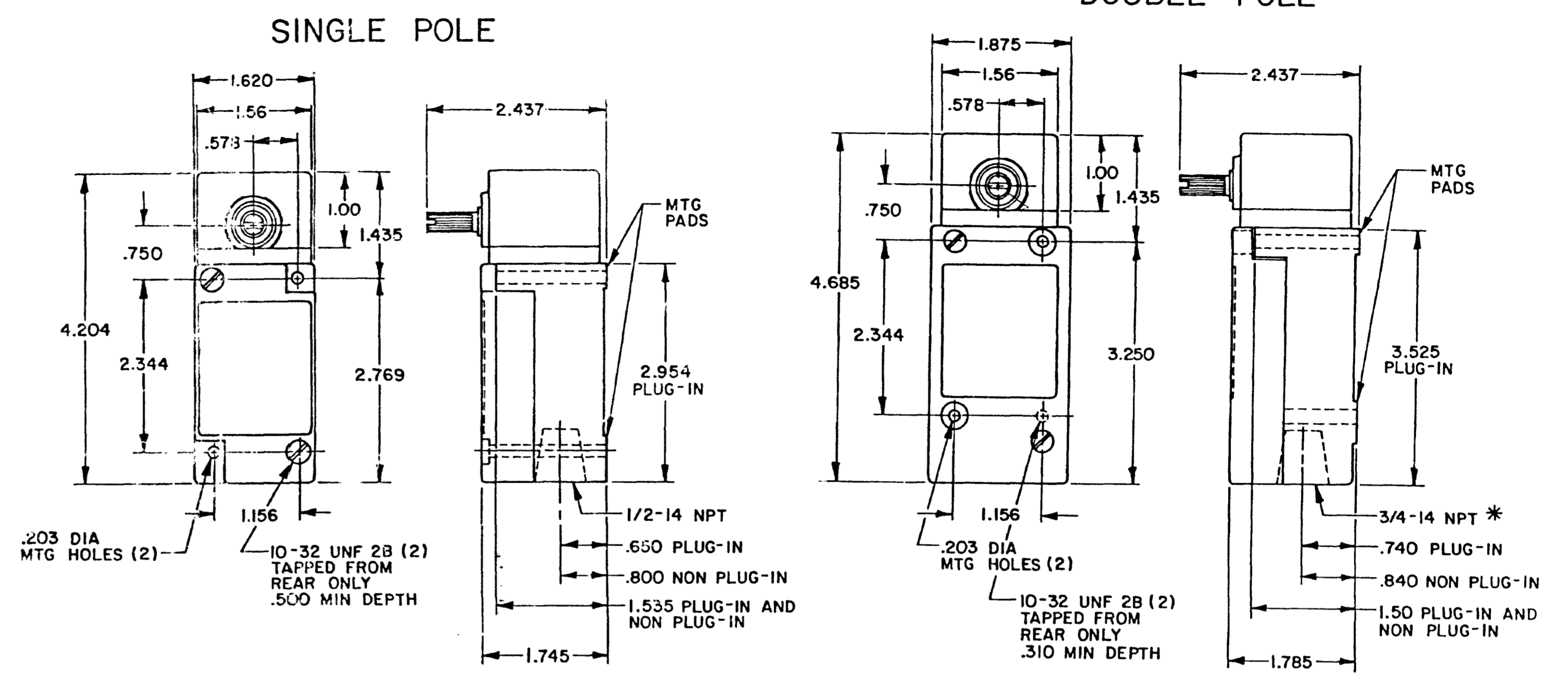


OPERATING CHARACTERISTICS	LSA		LSR		LSN	LSP		LSH	
	MOMENTARY		MOMENTARY LOW TORQUE		MAINTAINED	MOMENTARY LOW PRETRAVEL AND DIFF. TRAVEL		MOMENTARY LOW PRETRAVEL AND LOW TORQUE	
PRETRAVEL(MAX)	15°		15°		15°	9°		9°	
OVERTRAVEL(MIN)	60°		60°		20°	66°		66°	
DIFFERENTIAL TRAVEL(MAX)	SINGLE POLE	DOUBLE POLE	SINGLE POLE	DOUBLE POLE	40°	SINGLE POLE	DOUBLE POLE	SINGLE POLE	DOUBLE POLE
	5°	7°	5°	7°		3°	4°	3°	4°
TOTAL TRAVEL (REF)	75°		75°		90°	75°		75°	
OPERATING TORQUE(MAX)	4 IN. LBS		1.7 IN. LBS		4 IN. LBS	4 IN. LBS		1.7 IN. LBS	
FULL TRAVEL TORQUE(MAX)	4 IN. LBS		1.7 IN. LBS			4 IN. LBS		1.7 IN. LBS	
OPERATING CHARACTERISTICS	LSU		LSL	LSM	LST	LSS			
	LOW PRETRAVEL		SEQUENCE DOUBLE POLE ONLY	CENTER NEUTRAL DOUBLE POLE ONLY	MOMENTARY	GRAVITY RETURN			
PRETRAVEL(MAX)	5°		1ST STEP 15° 2ND STEP 10° ADD'L	18°	15°	NOT APPLICABLE			
OVERTRAVEL(MIN)	70°		48°	57°	60°	NOT APPLICABLE			
DIFFERENTIAL TRAVEL(MAX)	SINGLE POLE	DOUBLE POLE	5°	10°	5°	12°			
	5°	4°							
TOTAL TRAVEL (REF)	75°		75°	75°	75°	360°			
OPERATING TORQUE(MAX)	4 IN. LBS		4 IN. LBS	4 IN. LBS	12 IN-OZ	5 IN-OZ			
FULL TRAVEL TORQUE(MAX)	4 IN. LBS		4 IN. LBS	4 IN. LBS	12 IN-OZ	5 IN-OZ			

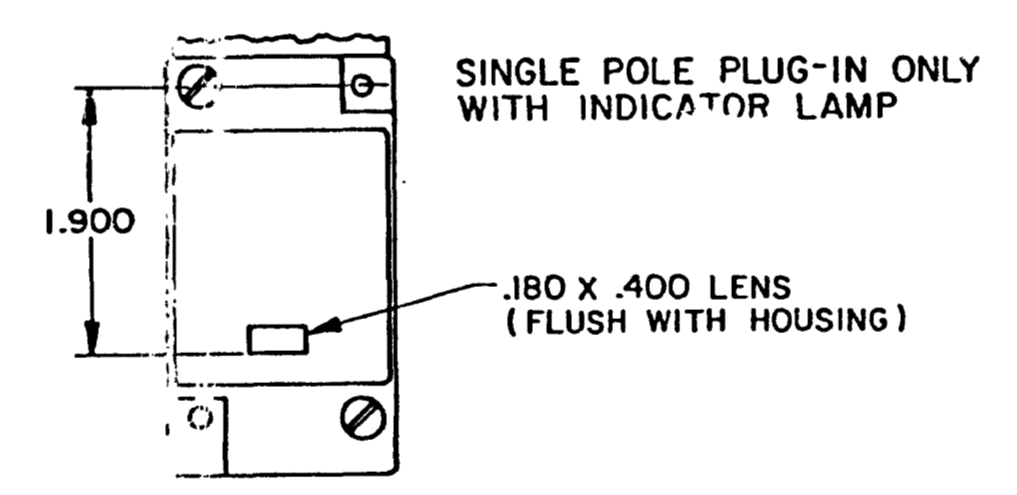
SIDE ROTARY



TYPE: LSA1, LSH1, LSN1, LSP1, LSR1
LSA3, LSH3, LSN3, LSP3, LSR3
LSS1, LST1

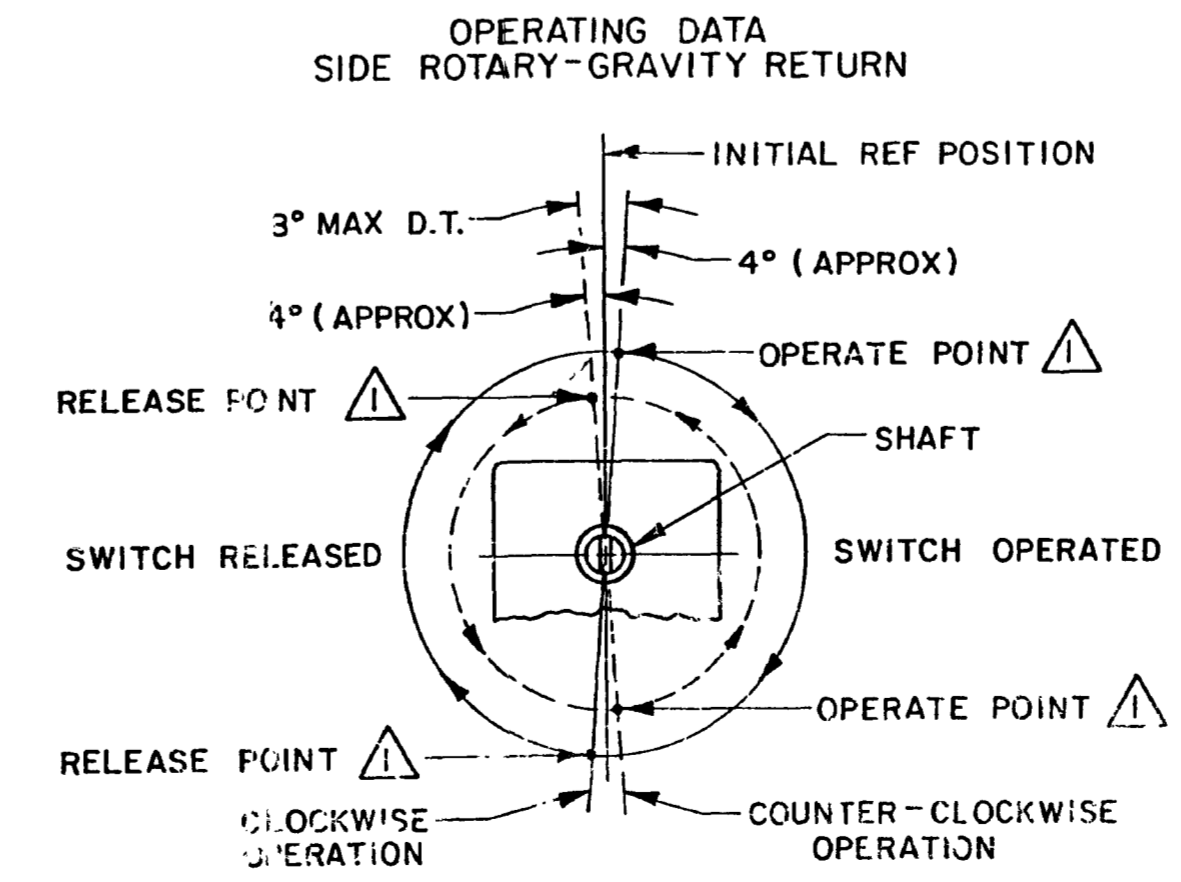
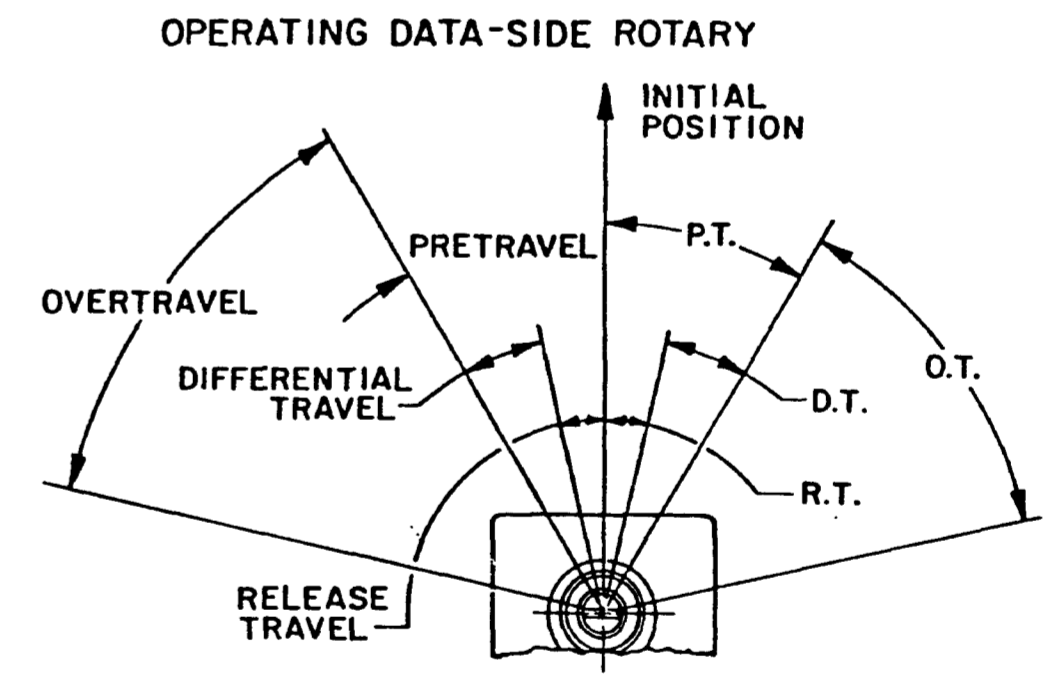
TYPE: LSA2, LSH2, LSM2, LSN2, LSP2, LSR2
LSA4, LSH4, LSM4, LSN4, LSP4, LSR4

*LSA6, LSH6, LSM6, LSN6, LSP6, LSR6
LSA7, LSH7, LSM7, LSN7, LSP7, LSR7 HAVE
1/2-14 NPT CONDUIT HOLE

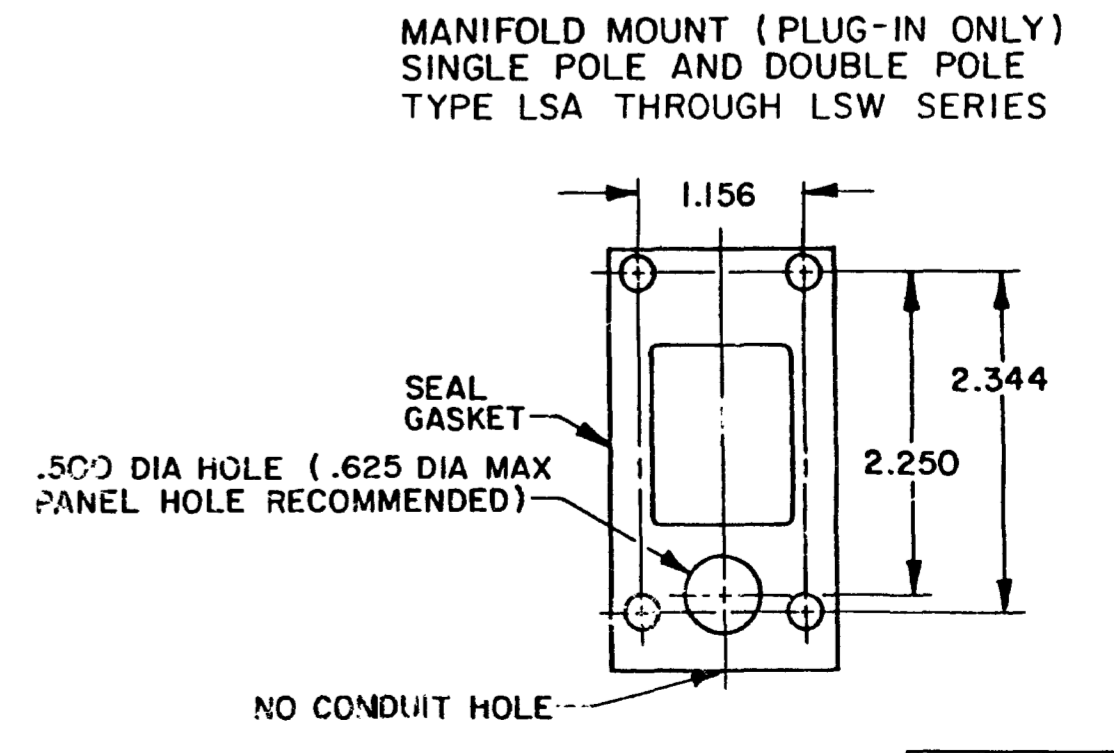


120 LAMP VOLTAGE -
TYPE LSA5, LSH5, LSN5, LSP5, LSR5

240 LAMP VOLTAGE -
TYPE LSA8, LSH8, LSN8, LSP8, LSR8



NOTE
△ OPERATE AND RELEASE POINTS WILL EXCHANGE LOCATIONS IF SHAFT IS ROTATED 180°



THIRD ANGLE PROJECTION
SCALE NONE
DO NOT SCALE PRINT
UNLESS OTHERWISE SPECIFIED TOLERANCES ARE
ONE PLACE (.0) ±.030
TWO PLACES (.00) ±.015
THREE PLACES (.000) ±.005
ANGLES ±
WEIGHT

THIS DRAWING COVERS A PROPRIETARY ITEM AND IS THE PROPERTY OF MICRO SWITCH A DIVISION OF HONEYWELL THIS DRAWING IS NOT TO BE COPIED OR USED WITHOUT THE APPROVAL OF MICRO SWITCH

MICRO SWITCH
a Honeywell Division

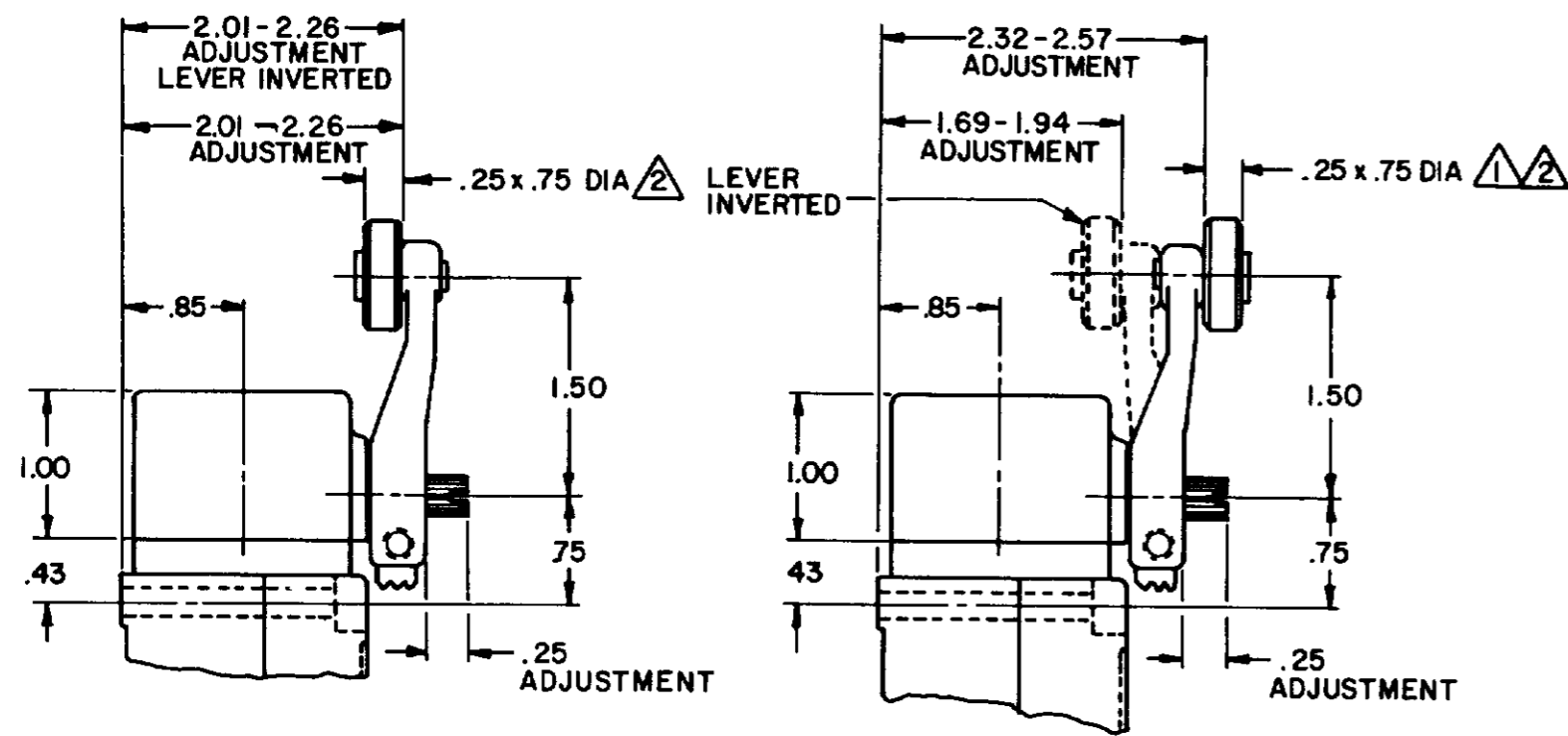
SWITCH - ENCLOSED

LSA-LSW SERIES CHART 1

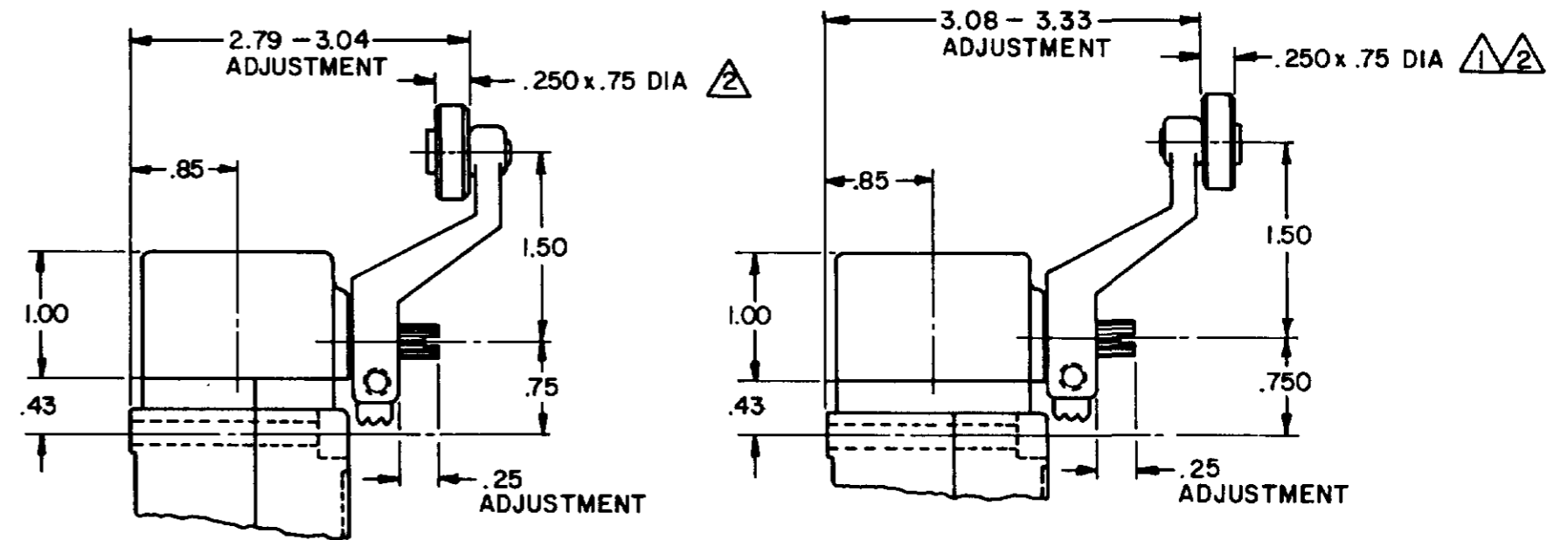
FED. MFG. CODE 91929

CATALOG LISTING LSA-LSW SERIES CHART 1
 ISSUE 12
 DRAWN BY MAM
 CHECKED BY JAF
 DATE 15 JUN 94
 REVISIONS:
 L 0031958
 B 201004
 C 201748
 D 202198
 E 204871
 F 206851
 G 206763
 H 207179
 J 207474
 K 208003
 R 0008974
 11A0391

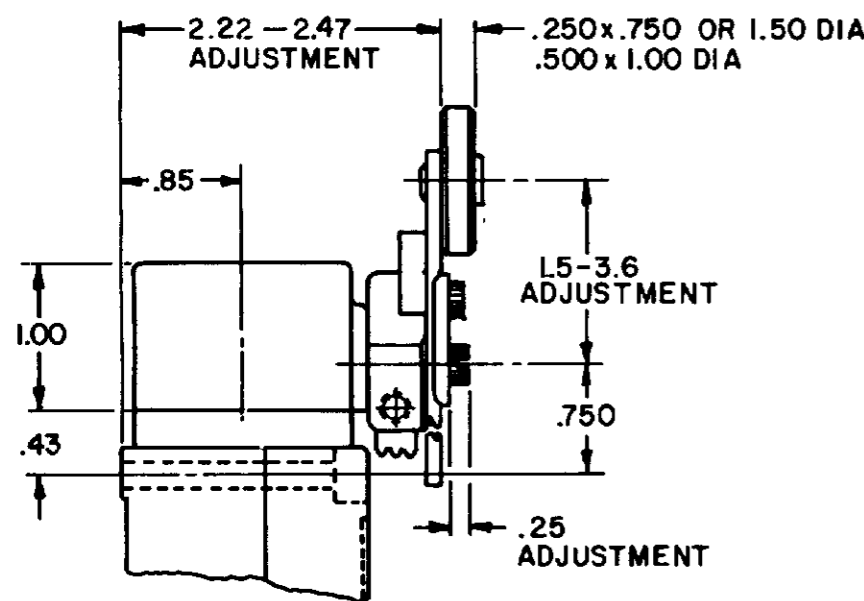
SIDE ROTARY CAM TRACKING



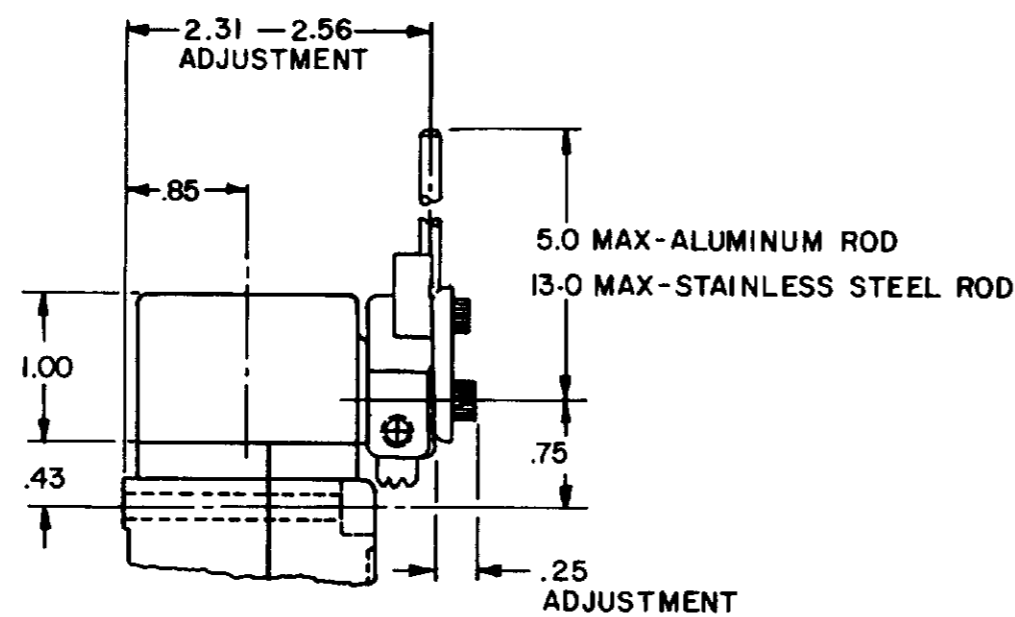
LSZ51 TYPE LEVERS



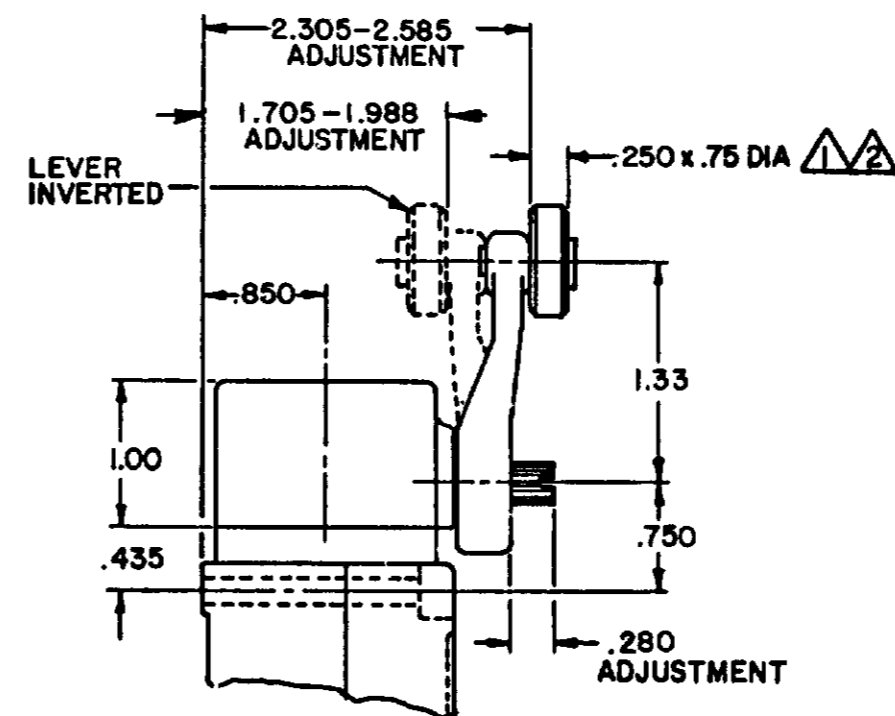
LSZ55 TYPE LEVERS



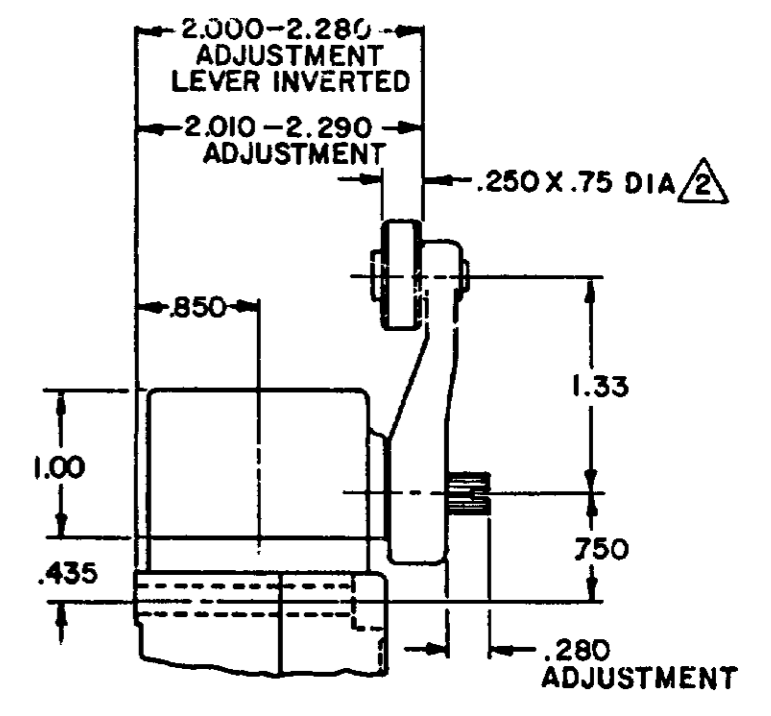
LSZ52 TYPE LEVER



LSZ54 TYPE LEVER



OPEN MOUNTED ROLLER



CLOSED MOUNTED ROLLER

LSZ59 TYPE LEVERS

NOTES

- ① ALSO AVAILABLE IN Ø.250 X 1.500 NYLON, BUT LEVER CANNOT BE INVERTED
- ② FOR ADDITIONAL ROLLER WIDTHS AND/OR DIAMETERS REFER TO "M" DRAWING
- 3 - FOR ADDITIONAL TYPES OF ROLLERS AND LEVERS REFER TO LSZ CHART 1 "M" DRAWING

CATALOG LISTING LSA-LSW SERIES CHART 1
 ISSUE 12
 PSR 10JUL07 RELEASE NO. CO-78498 REPLACES LSA-LSW SERIES
 CHECK 11AUG04
 REVISIONS
 L 0031956
 BS 10JUL07
 B 201004
 C SL 10AUG00
 C 201748
 C SL 17NOV00
 D 202198
 C SL 23JAN01
 E 204871
 C SL FEB 02
 F 206581
 GLH 14OCT02
 G 206763
 C SL 31OCT02
 H 207179
 GLH 14JAN03
 J 207474
 SLH 18FEB03
 K 0006871
 RR 11AUG04
 DRAWN MAM 15 JUN 94
 CHECK JAF 11 JUL 94

THIS DRAWING COVERS A PROPRIETARY ITEM AND IS THE PROPERTY OF MICRO SWITCH, A DIVISION OF HONEYWELL. THIS DRAWING IS NOT TO BE COPIED OR USED WITHOUT THE APPROVAL OF MICRO SWITCH.

MICRO SWITCH
a Honeywell Division

SWITCH - ENCLOSED

CATALOG LISTING
LSA-LSW SERIES
CHART 1

PAGE 2 OF 10

THIRD ANGLE PROJECTION	
SCALE NONE	
DO NOT SCALE PRINT	
UNLESS OTHERWISE SPECIFIED TOLERANCES ARE	
ONE PLACE ()	±.030
TWO PLACES (00)	±.015
THREE PLACES (000)	±.005
ANGLES	±
WEIGHT	

ISSUE 12 PSR 10JUL07 RELEASE NO CO-78498 REPLACES LSA-LSW SERIES

CATALOG LISTING
M LSA-LSW SERIES CHART 1
PAGE 3 OF 10

REV. SIONS
L 0031958
M 1 JUL 07
B 201004
C 201748
D 202198
E 204871
F 206581
G 206763
H 207179
J 207474
K 0006871

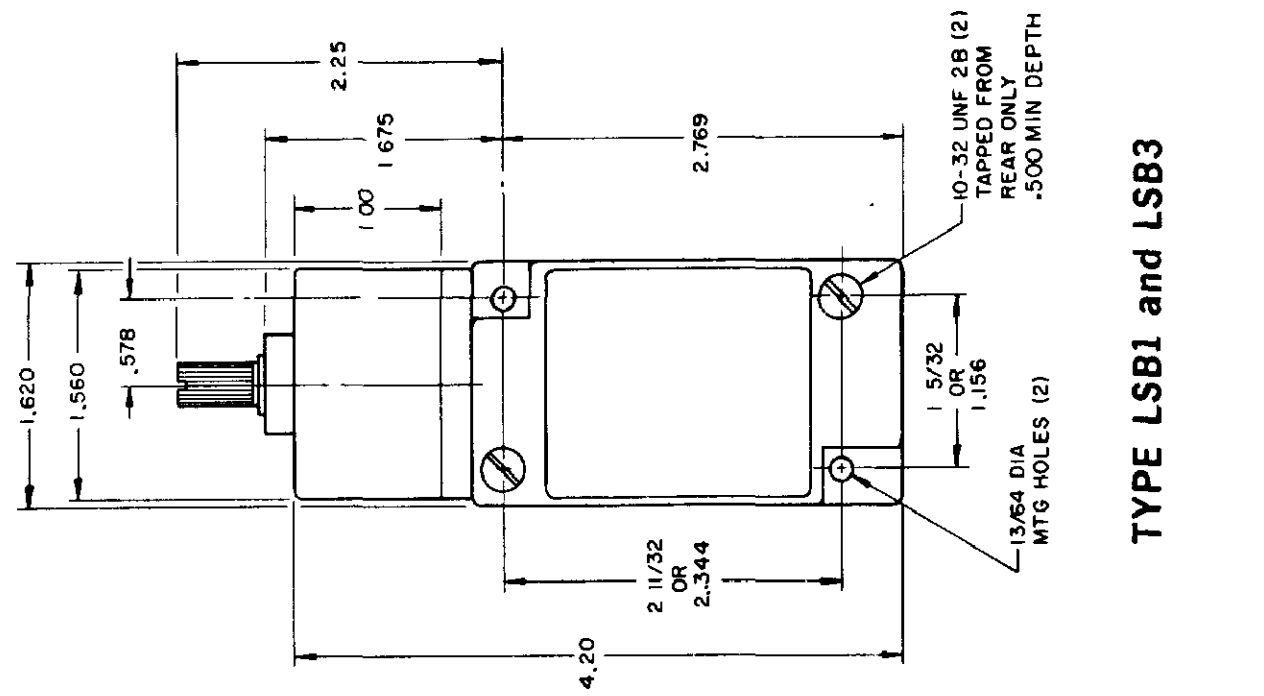
CHECK 11AUG04
CHECK 1 JUL 94
CHECK 1 JAN 01
CHECK 1 FEB 02
CHECK 1 JUL 94

RASTER
DRAWN
MAM 15 JUN 94

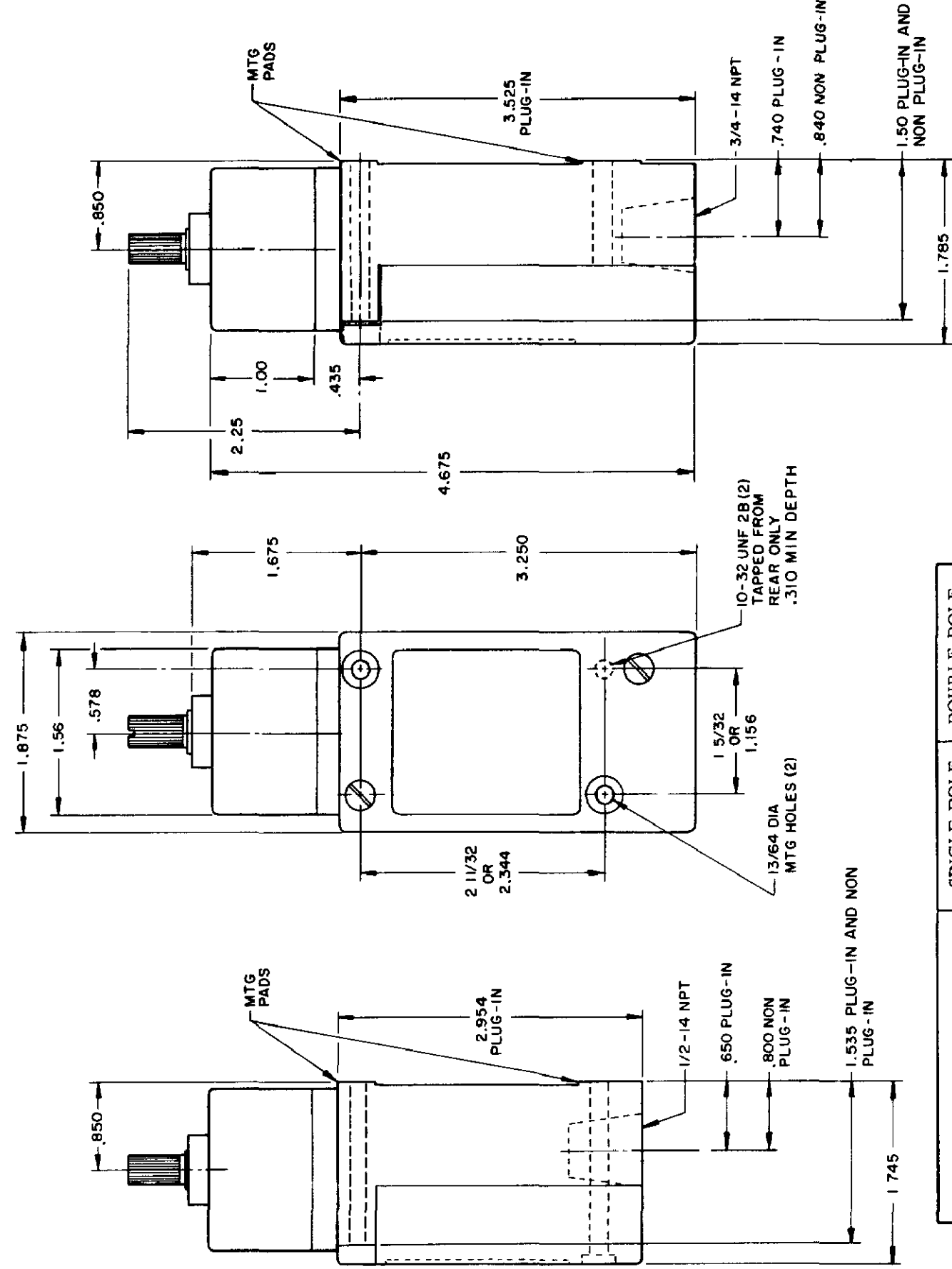
TOP ROTARY

SINGLE POLE

DOUBLE POLE



TYPE LSB1 and LSB3



TYPE LSB2 and LSB4
LSB6 and LSB7 have 1/2 - 14 NPT CONDUIT HOLE

	SINGLE POLE	DOUBLE POLE
PRETRAVEL MAX	25°	25°
OVERTRAVEL MIN	110°	110°
DIFFERENTIAL TRAVEL MAX	10°	12°
OPERATING TORQUE MAX	2 5 IN. LBS	2 5 IN. LBS
TOTAL TRAVEL (REF)	135°	135°

ELECTRICAL RATINGS

A.C. VOLTAGE	AMPS AT 35 POWER FACTOR			
	SINGL POLE		DOUBLE POLE	
	MAKE	BREAK	MAKE	BREAK
120	60	6	30	3
240	30	3	15	1.5
480	15	1.5	7.5	75
600	12	1.2	6	6

D.C. VOLTAGE	MAKE & BREAK	
	INDUCTIVE	RESISTIVE
120	0.25	0.80
240	0.15	0.40

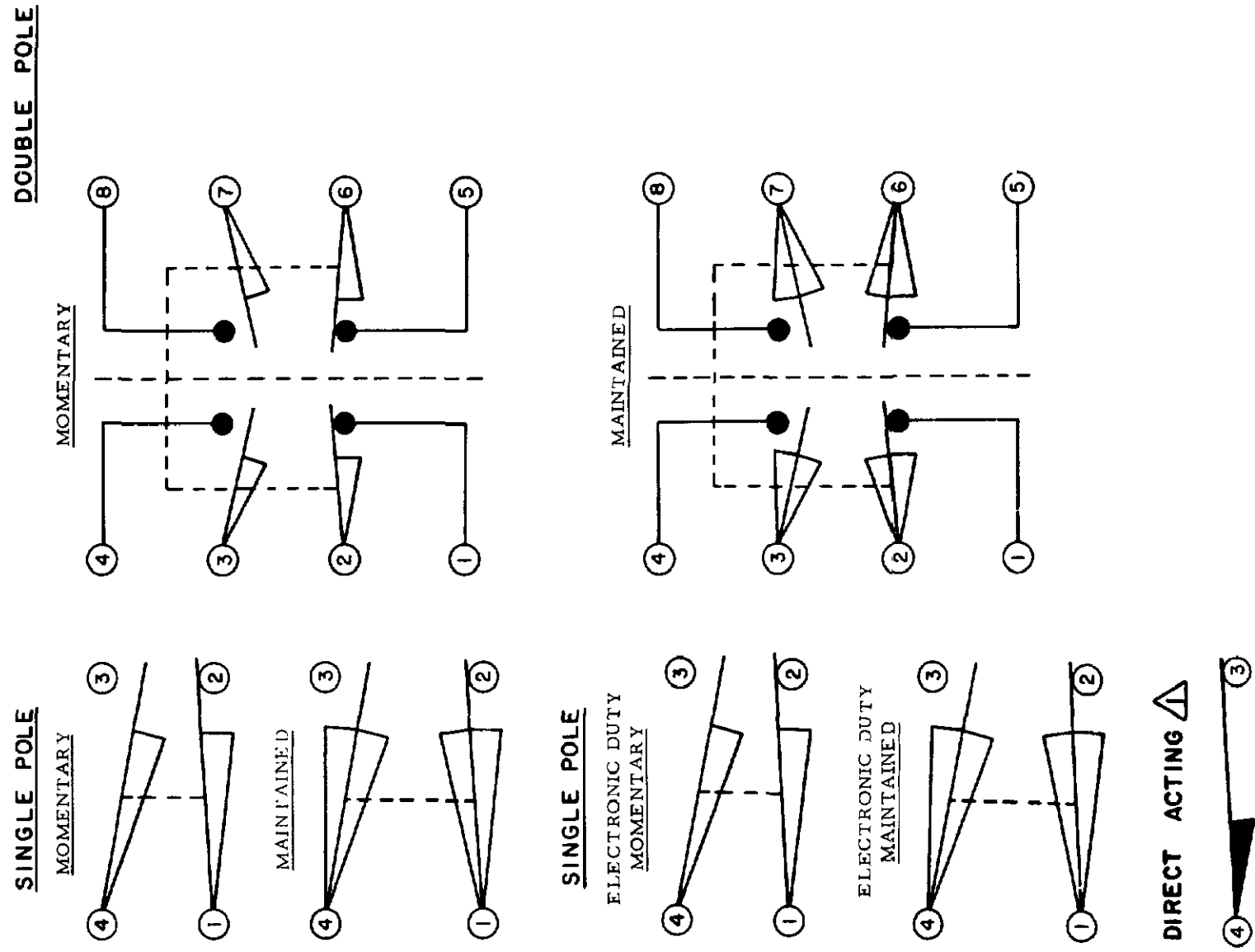
ELECTRONIC DUTY BASIC SWITCH
10 AMP CONT.

VOLTAGE	MAKE AND BREAK AMPS	
	INDUCTIVE	RESISTIVE
5 AC OR DC MIN	01 AMP MIN	
600 AC	720 VA	
240 DC	30 WATT	

DIRECT ACTING (ALSO RATED AT A.C. 10 AMP CONT.)

D.C. VOLTAGE	MAKE AND BREAK AMPS	
	INDUCTIVE	RESISTIVE
30	4.2	4.2
120	1.1	1.1
240	.55	.55

WIRING BASIC SWITCH
(SAME POLARITY MUST BE OBSERVED FOR EACH POLE)

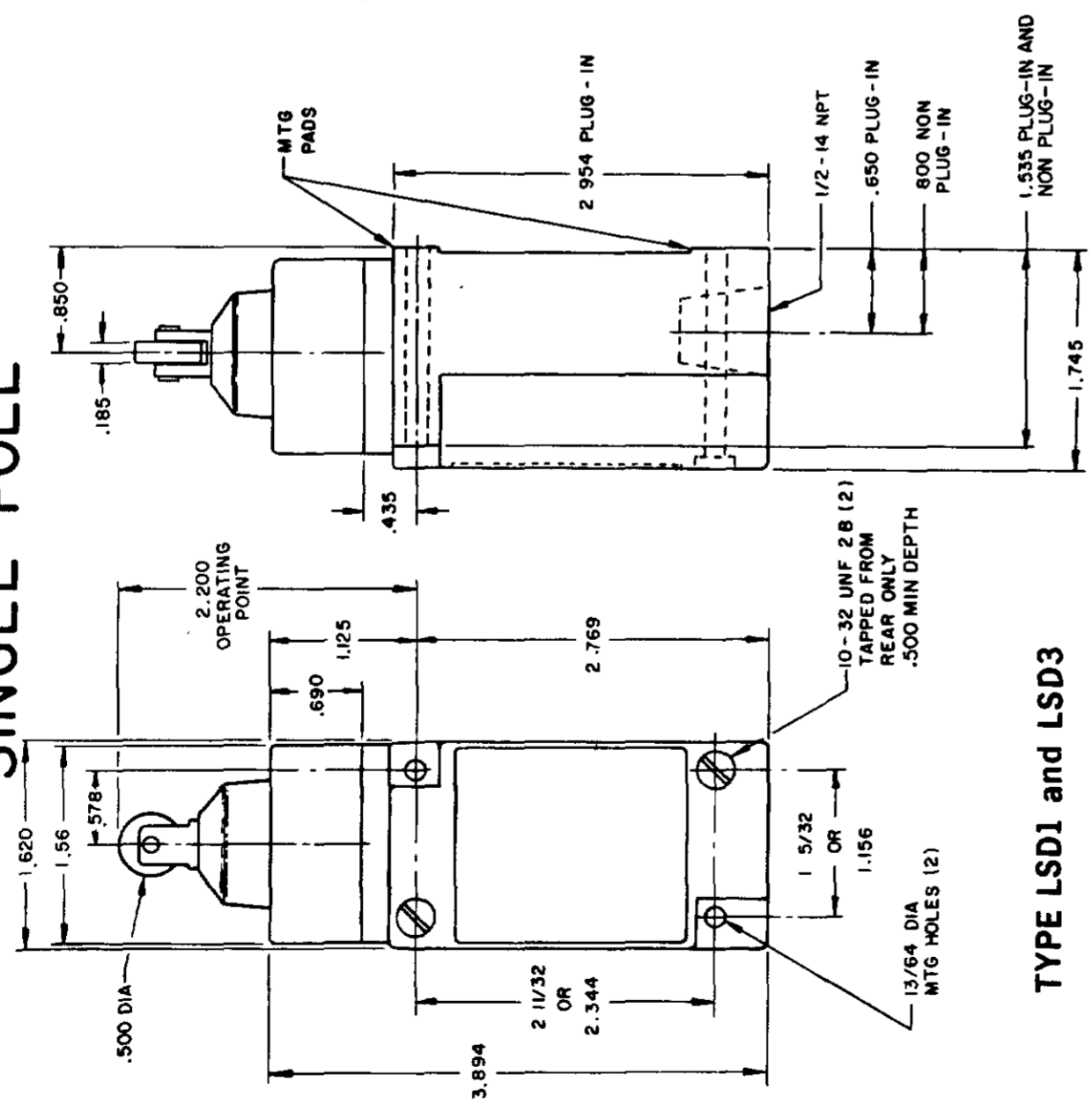


NOTES
DIFFERENTIAL TRAVEL ON ALL OPERATING CHARACTERISTICS NOT APPLICABLE

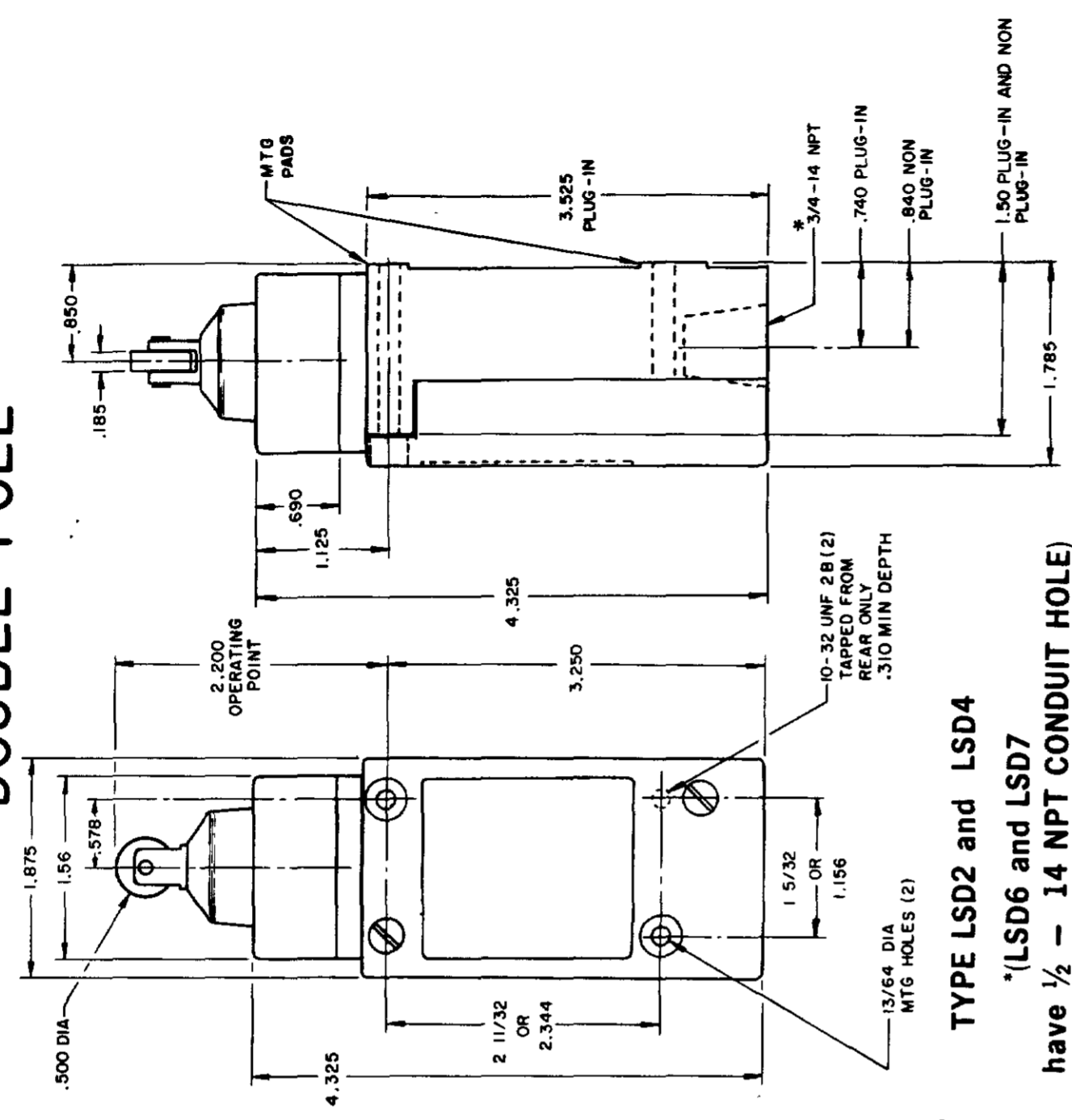
PLUNGER TYPE TOP

SINGLE POLE

DOUBLE POLE

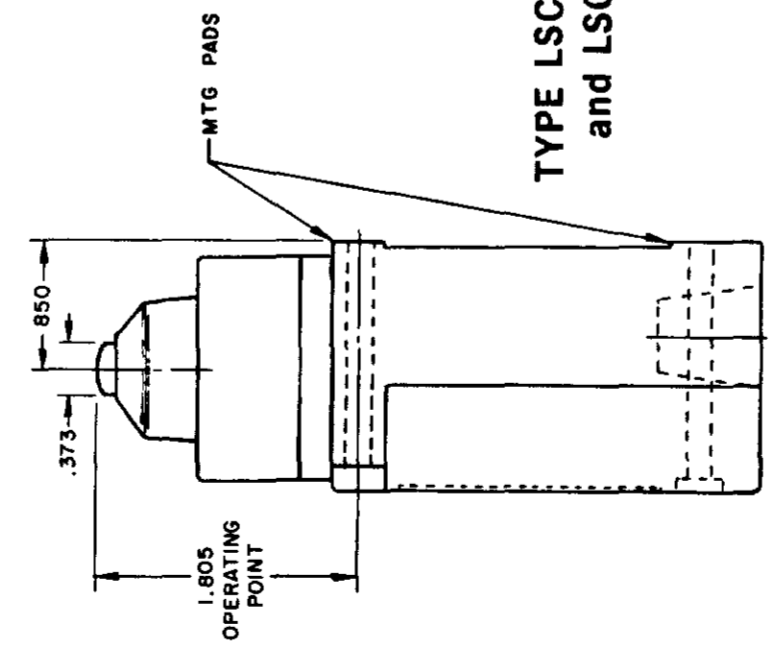


TYPE LSD1 and LSD3

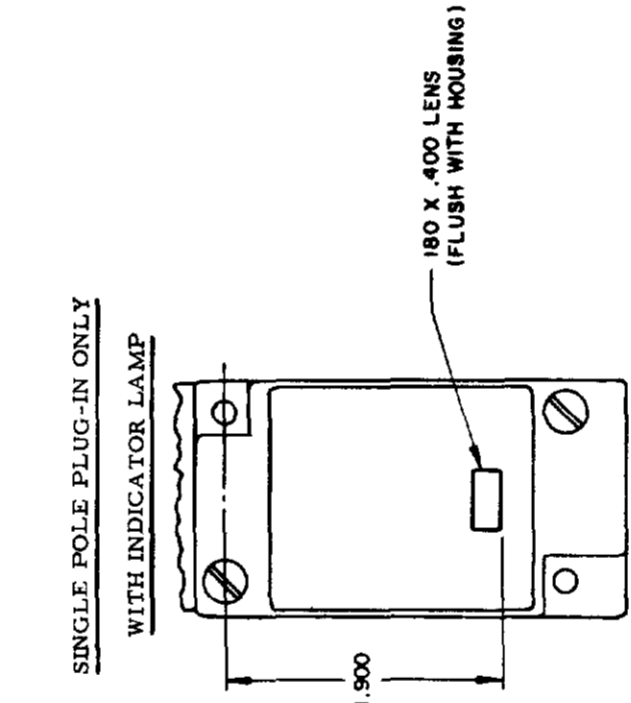


TYPE LSD2 and LSD4

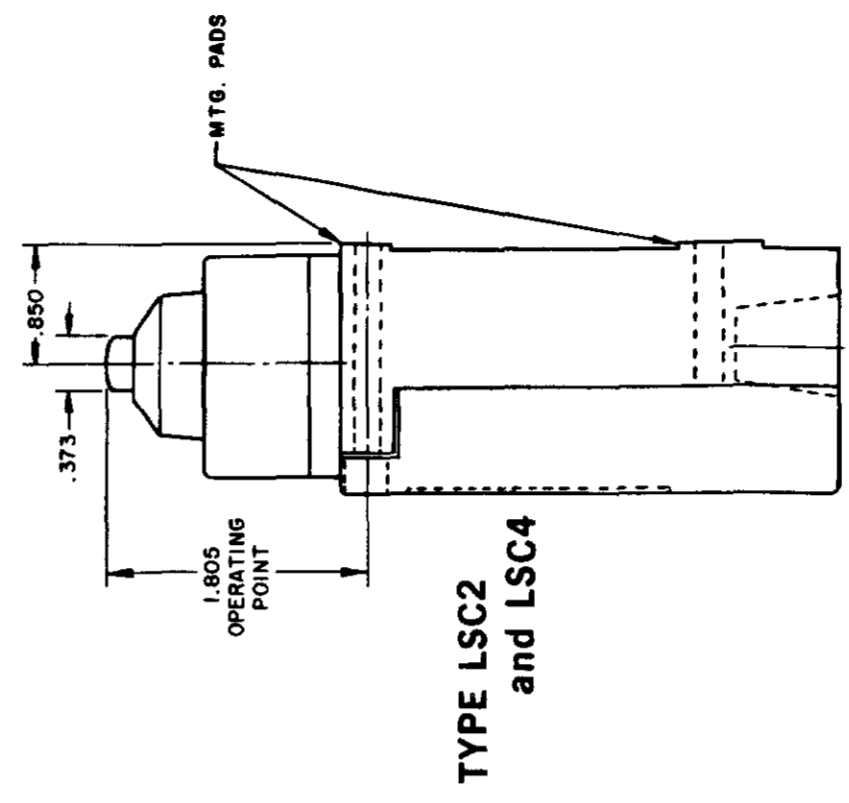
*(LSD6 and LSD7
 have 1/2 - 14 NPT CONDUIT HOLE)



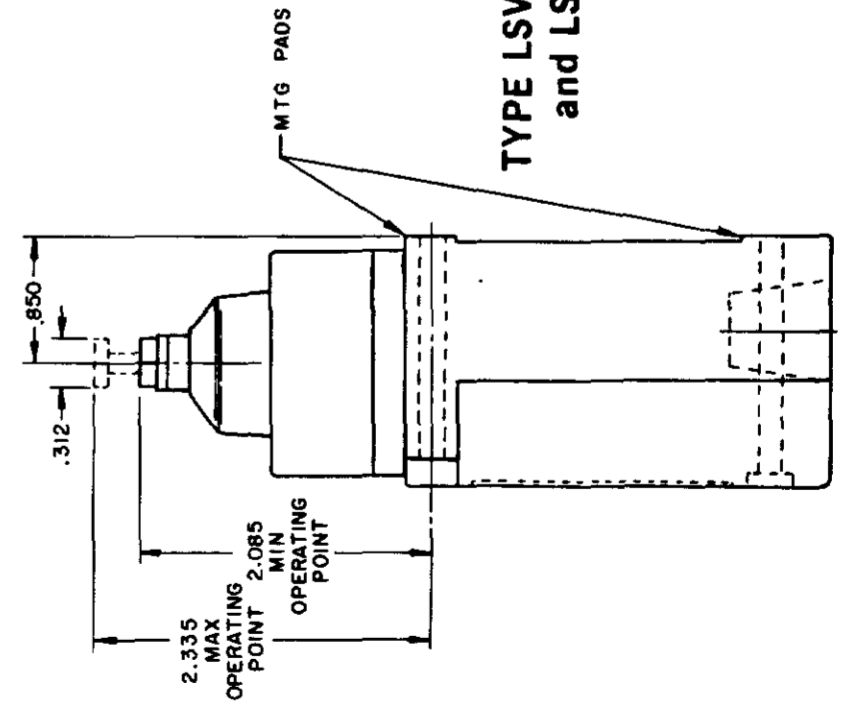
TYPE LSC1 and LSC3



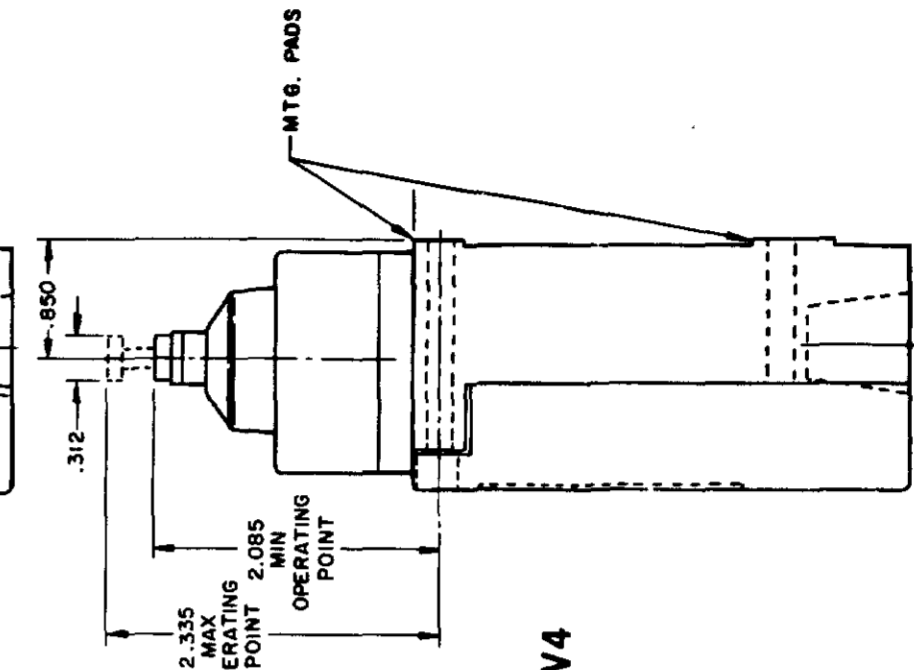
120 LAMP VOLTAGE -
 TYPE LSC5, LSD5 or LSV5
 240 LAMP VOLTAGE -
 TYPE LSC8, LSD8 or LSV8



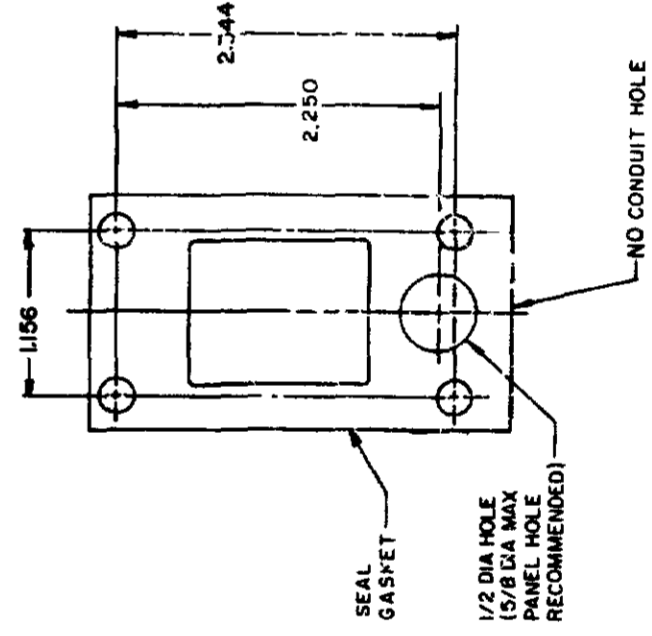
TYPE LSC2 and LSC4



TYPE LSV1 and LSV3



TYPE LSV2 and LSV4

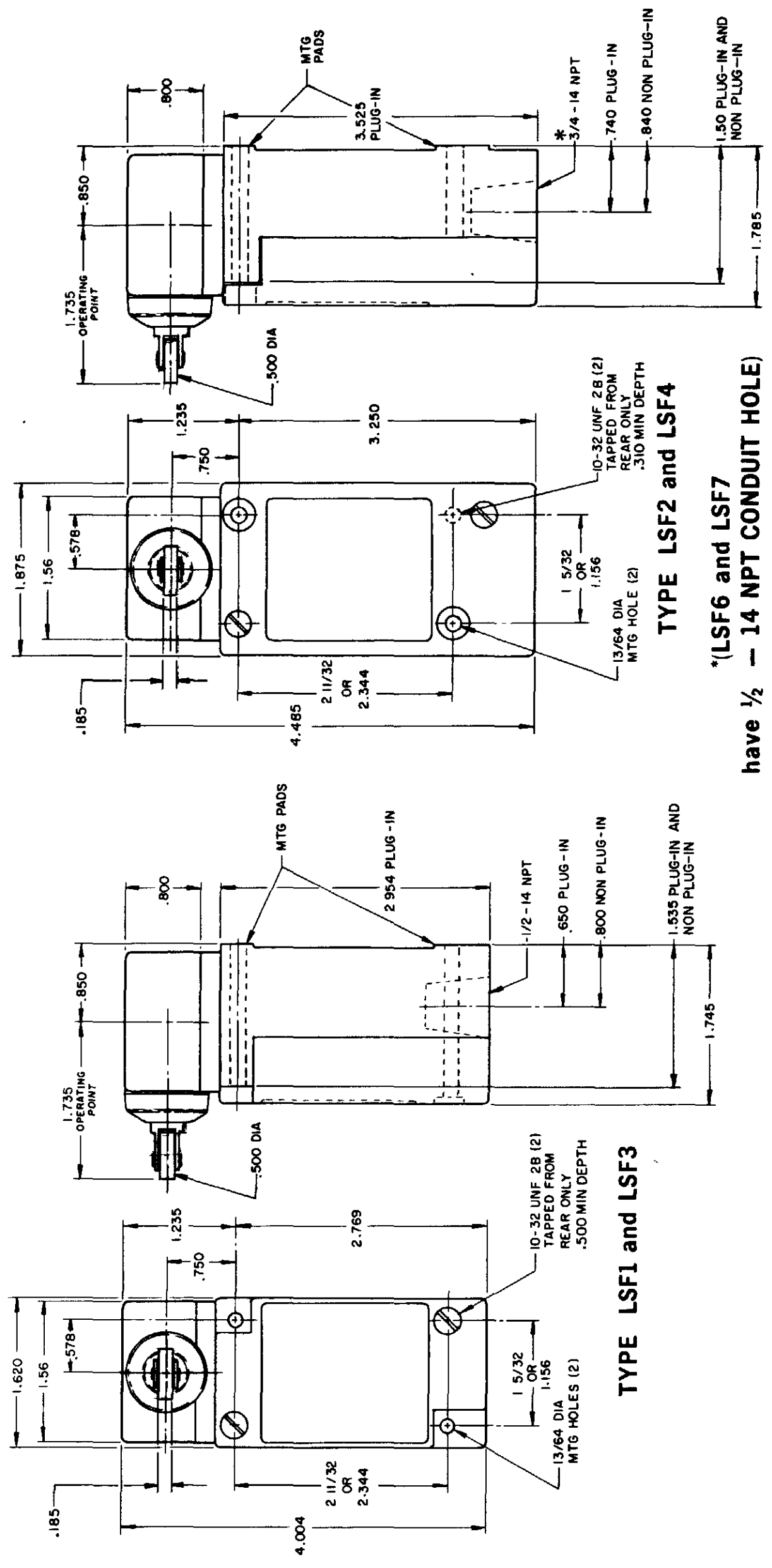


MANIFOLD MOUNT (PLUG-IN ONLY)
 SINGLE POLE AND DOUBLE POLE
 TYPE LSA THROUGH LSW SERIES

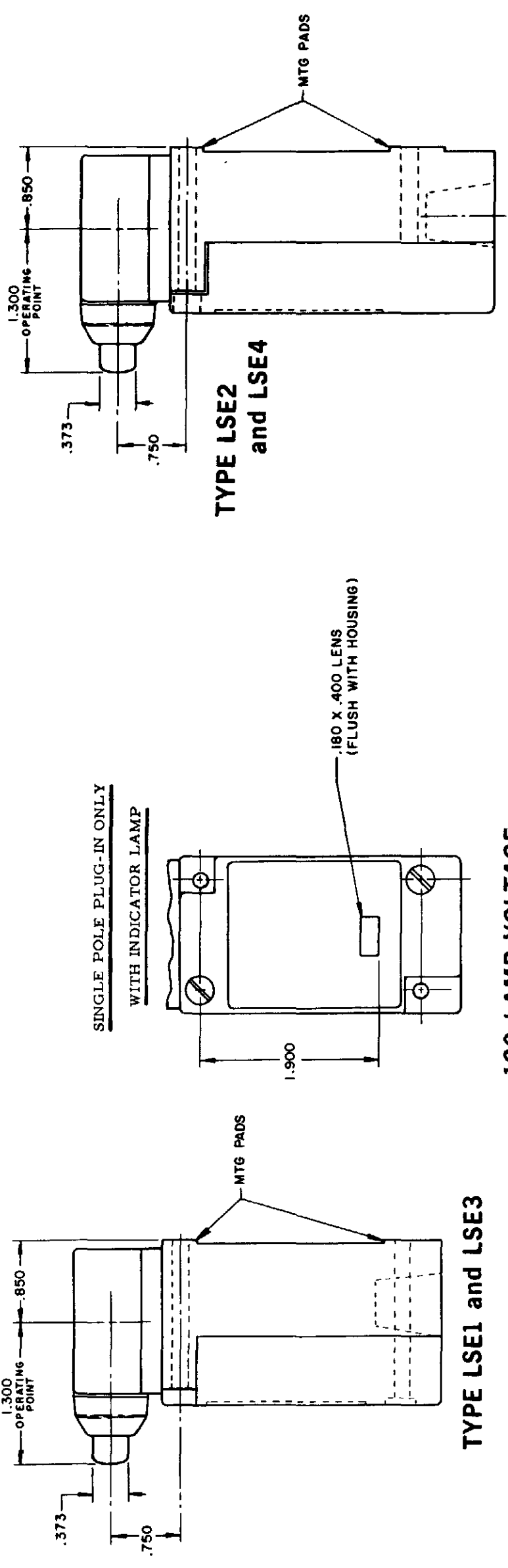
RASTER
DRAWN
MAM 15 JUN 94
CHECK JAF 11 JUL 94
CHECK AK 11AUG04
CHECK PSR 10JUL07
RELEASE NO CO-78498
REPLACES LSA-LSW SERIES

REV	DATE	BY	CHKD	DESCRIPTION
L	0031956			
B	201004			
C	201748			
D	202198			
E	204871			
F	206581			
G	206763			
H	207179			
I	207474			
J	207503			
K	0006871			

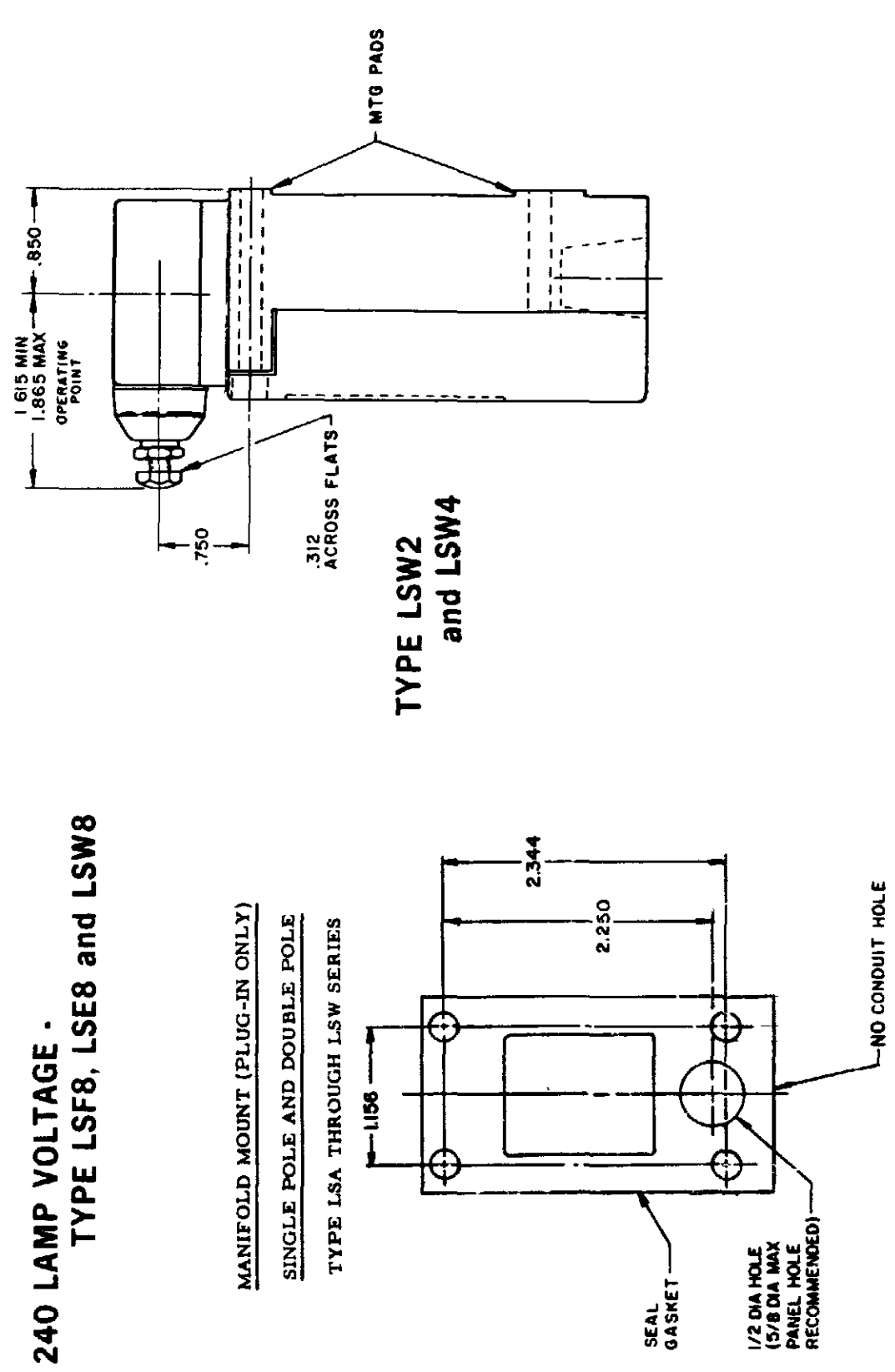
SIDE PLUNGER TYPE
DOUBLE POLE



TYPE LSF1 and LSF3
TYPE LSF2 and LSF4
TYPE LSF6 and LSF7
have 1/2 - 14 NPT CONDUIT HOLE)



TYPE LSE1 and LSE3
TYPE LSE2 and LSE4
TYPE LSW1 and LSW3
120 LAMP VOLTAGE - TYPE LSF5, LSE5 and LSW5
240 LAMP VOLTAGE - TYPE LSF8, LSE8 and LSW8

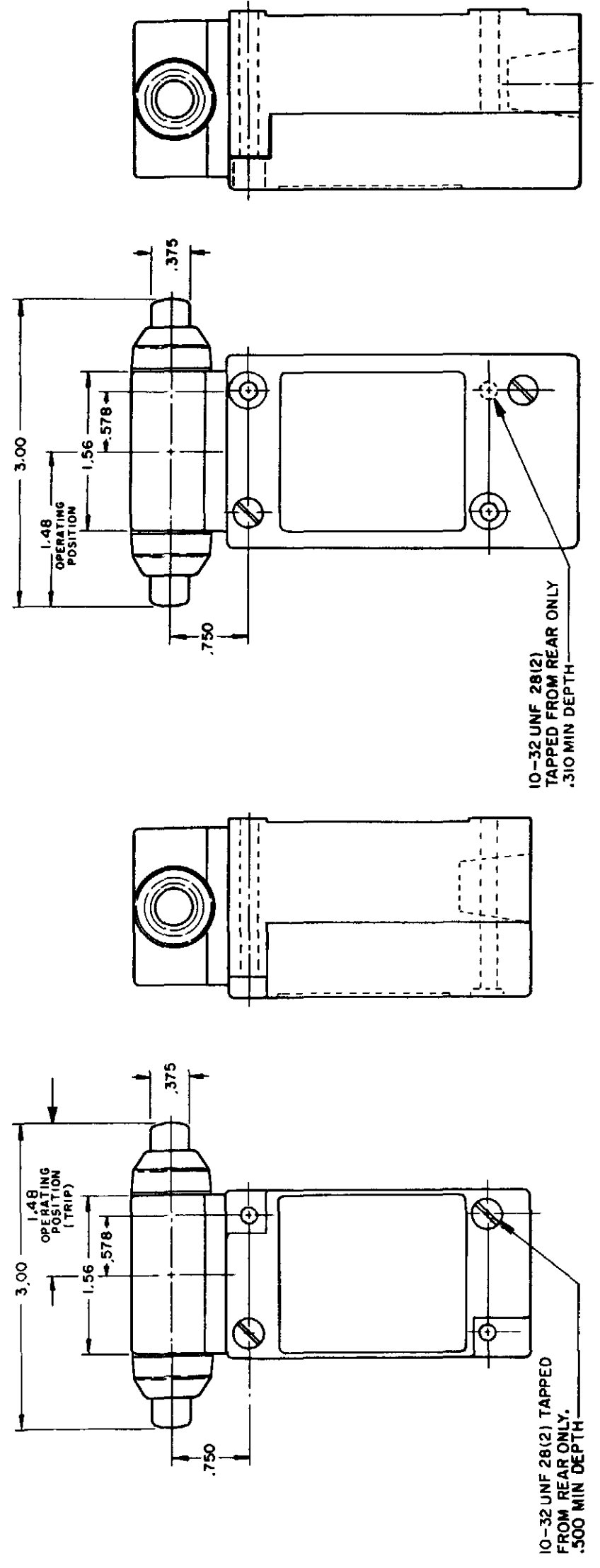


TYPE LSW2 and LSW4
TYPE LSW5 and LSW7
MANIFOLD MOUNT (PLUG-IN ONLY)
SINGLE POLE AND DOUBLE POLE
TYPE LSA THROUGH LSW SERIES
SEAL GASKET
1/2 DIA HOLE (5/8 DIA MAX PANEL HOLE RECOMMENDED)
NO CONDUIT HOLE

ISSUE 12 PSR 10JUL07 RELEASE NO CO-78498 REPLACES LSA-LSW SERIES

REVISIONS
 L 0031956
 M 10 JUL 07
 B 201004
 C 201748
 D 202198
 E 204871
 F 206581
 G 206763
 H 207179
 J 207474
 K 0006871

CATALOG LISTING
M LSA-LSW SERIES CHART 1
 PAGE 6 OF 10
 CHECK 11AUG04
 CHECK 11JUL94
 CHECK 11AUG04



TYPE LSG1 and LSG3

TYPE LSG2 and LSG4

INITIAL POSITION (FREE POSITION) } PRETRAVEL
 OPERATING POINT } DIFFERENTIAL TRAVEL
 FULL TRAVEL } OVERTRAVEL

TOP PLUNGER TYPES

CHARACTERISTICS	LSC PLUNGER		LSD ROLLER PLUNGER		LSV ADJ PLUNGER		SEQUENCE BASIC		
	PRETRAVEL (MAX)	DIFFERENTIAL TRAVEL (MAX)	SINGLE POLE	DOUBLE POLE	SINGLE POLE	DOUBLE POLE	LSC	LSD	LSV
PRETRAVEL (MAX)	.070	.070	.070	.070	.070	.070	1ST STEP .070		
DIFFERENTIAL TRAVEL (MAX)	.015	.020	.015	.020	.015	.020	2ND STEP .016 MIN ADD'L		
OVERTRAVEL (MIN)	.190	.190	.190	.190	.190	.190	.015 EACH STEP		
OPERATING FORCE (MAX)	4 LBS	4 LBS	4 LBS	4 LBS	4 LBS	4 LBS			
OPERATING POINT	1.805 ± .030	2.200 ± .040	2.085 MIN	2.335 MAX	2.085 MIN	2.335 MAX	1ST STEP		
FULL OVERTRAVEL FORCE (MAX)	7 LBS	7 LBS	7 LBS	7 LBS	7 LBS	7 LBS	1.815±.030	2.210±.040	2.095 MIN / 2.345 MAX

SIDE PLUNGER TYPES

CHARACTERISTICS	LSE PLUNGER		LSF ROLLER PLUNGER		LSW ADJ PLUNGER		SEQUENCE BASIC		
	PRETRAVEL (MAX)	DIFFERENTIAL TRAVEL (MAX)	SINGLE POLE	DOUBLE POLE	SINGLE POLE	DOUBLE POLE	LSE	LSF	LSW
PRETRAVEL (MAX)	.100	.100	.100	.100	.170	.170	1ST STEP .100		
DIFFERENTIAL TRAVEL (MAX)	.045	.045	.045	.045	.090	.090	2ND STEP .020 MIN ADD'L		
OVERTRAVEL (MIN)	.190	.190	.190	.190	.080	.080	.025 EACH STEP		
OPERATING FORCE (MAX)	6 LBS	6 LBS	6 LBS	6 LBS	10 LBS	10 LBS			
OPERATING POINT	1.300 ± .030	1.735 ± .040	ADJUSTABLE FROM	1.480 ± .030	1.480 ± .030	1.480 ± .030	1ST STEP		
FULL OVERTRAVEL FORCE (MAX)	6 LBS	6 LBS	6 LBS	6 LBS	10 LBS	10 LBS	1.310±.030	1.745±.040	1.625 MIN / 1.875 MAX

THIS DRAWING COVERS A PROPRIETARY ITEM AND IS THE PROPERTY OF MICRO SWITCH, A DIVISION OF HONEYWELL. THIS DRAWING IS NOT TO BE COPIED OR USED WITHOUT THE APPROVAL OF MICRO SWITCH.

MICRO SWITCH
a Honeywell Division

SWITCH - ENCLOSED

CATALOG LISTING
LSA-LSW SERIES
CHART 1

SCALE NONE
DO NOT SCALE PRINT
DIMENSIONS ARE IN INCHES
TOLERANCES:
ONE PLACE (.0)
TWO PLACE (.00)
THREE PLACE (.000)
ANGLES
WEIGHT

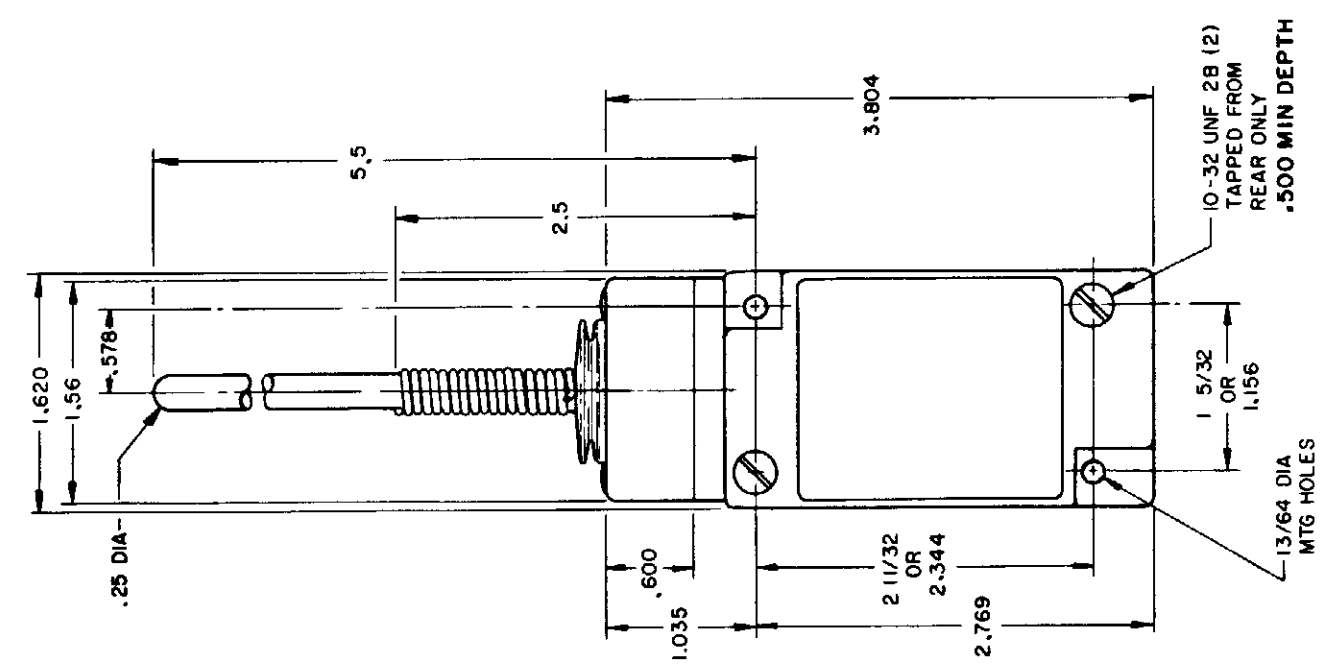
PAGE 6 OF 10

FED MFG CODE 91929

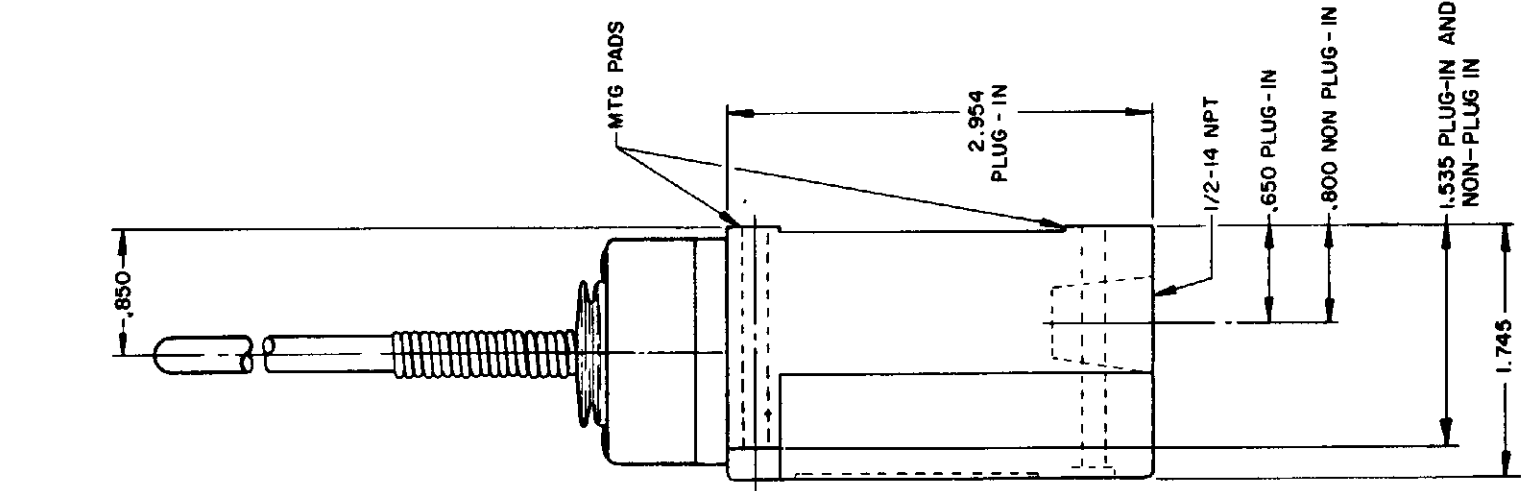
WOBBLE STICK

SINGLE POLE

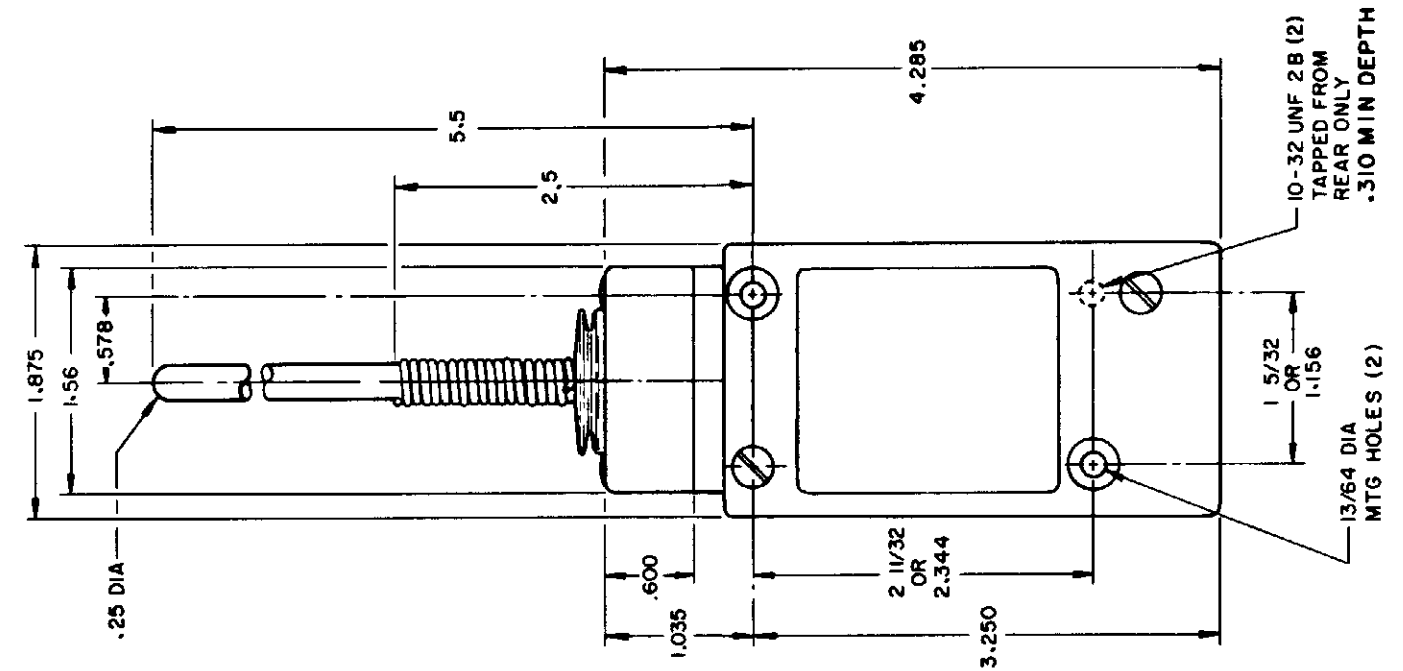
DOUBLE POLE



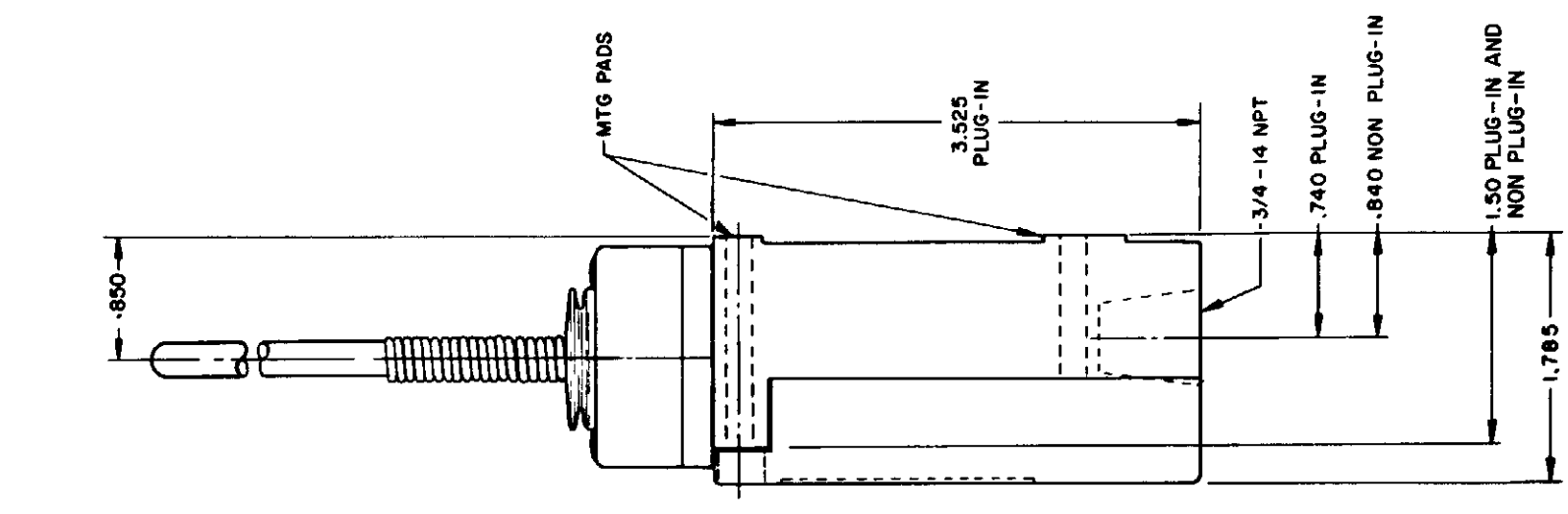
**PLASTIC EXTENSION
TYPE 7A ACTUATOR**
TYPE LSJ1 AND LSJ3



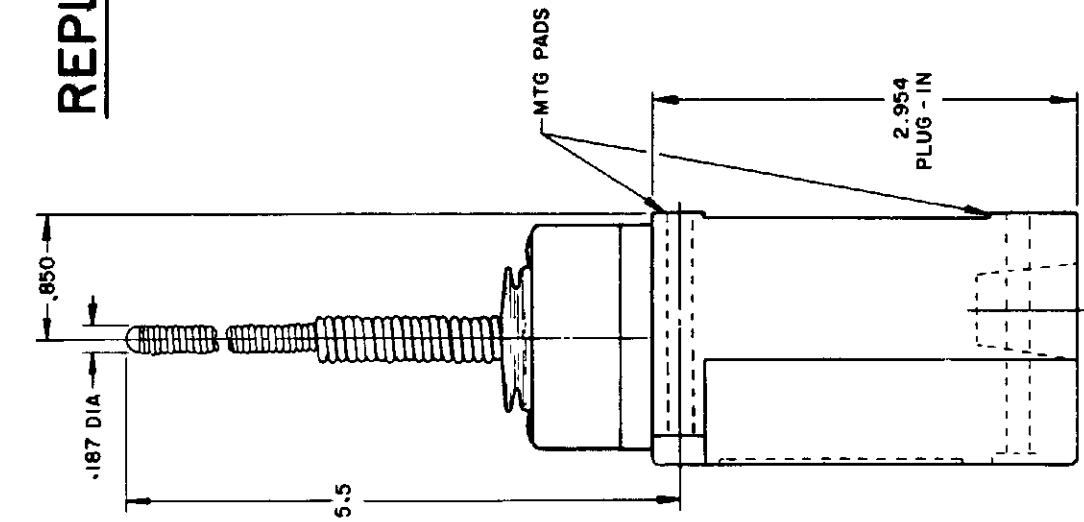
**REPLACEMENT ACTUATOR
LSZ-4009**



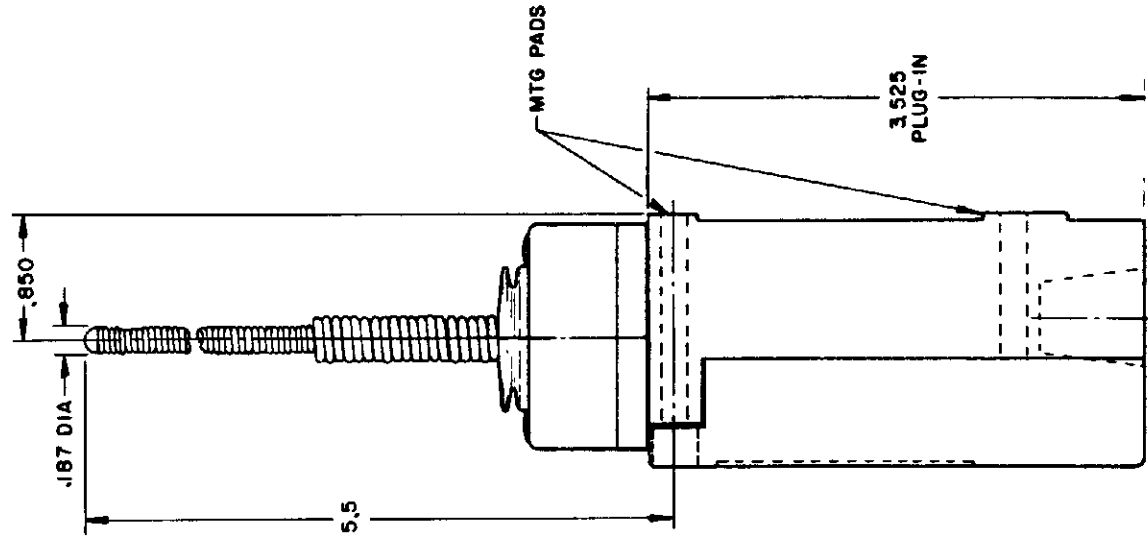
**PLASTIC EXTENSION
TYPE 7A ACTUATOR**
TYPE LSJ2 AND LSJ4
LSJ6 AND LSJ7 HAVE
1/2 - 14 NPT CONDUIT HOLE



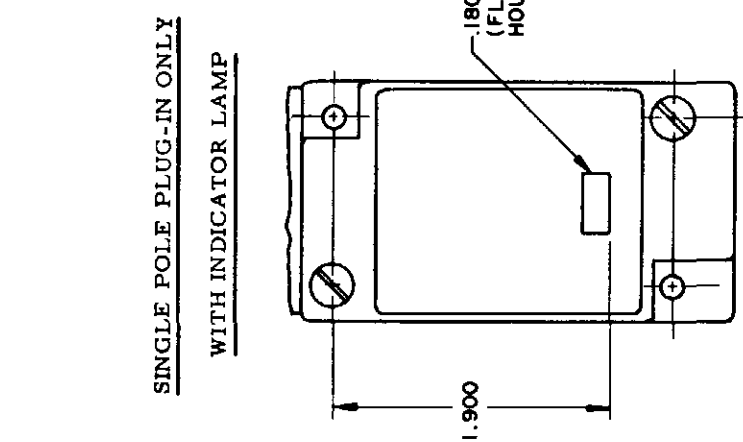
**REPLACEMENT ACTUATOR
LSZ-4011**



**CABLE EXTENSION
TYPE 7N ACTUATOR**



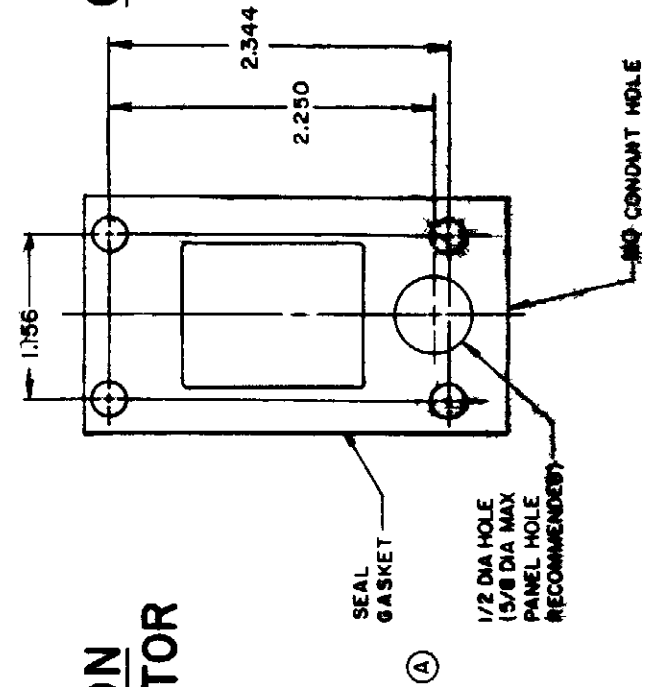
**CABLE EXTENSION
TYPE 7N ACTUATOR**



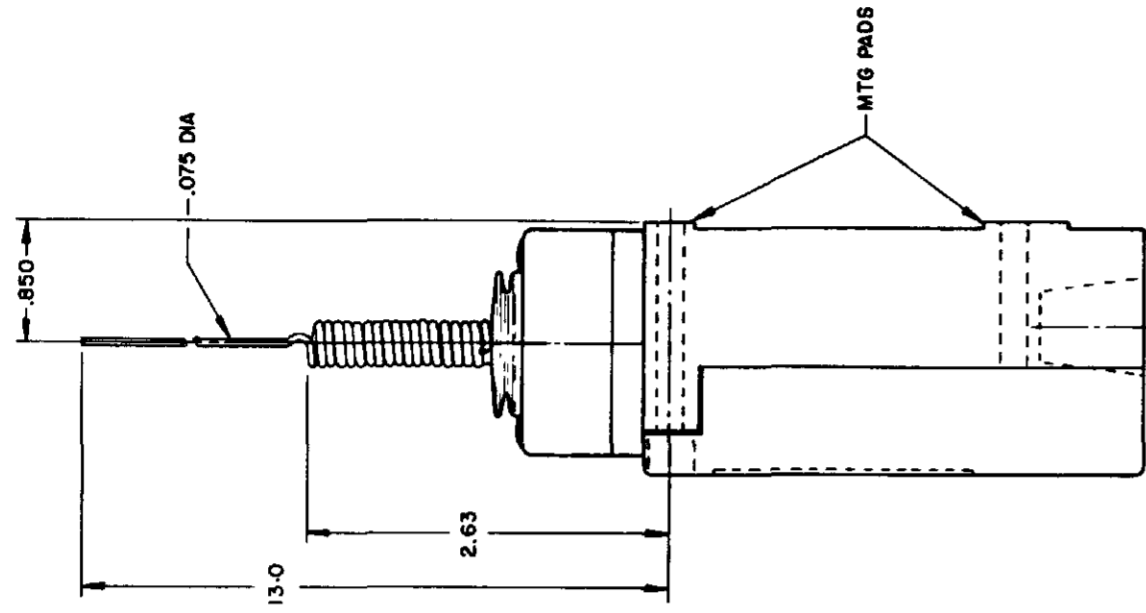
**REPLACEMENT ACTUATOR
WITH INDICATOR LAMP**
120 LAMP VOLTAGE TYPE LSJ5
240 LAMP VOLTAGE TYPE LSJ8
24 LED VOLTAGE TYPE LSJ9



**MANIFOLD MOUNT (PLUG-IN ONLY)
SINGLE POLE AND DOUBLE POLE
TYPE LSA THROUGH LSW SERIES**



**CABLE EXTENSION
TYPE 7N ACTUATOR**

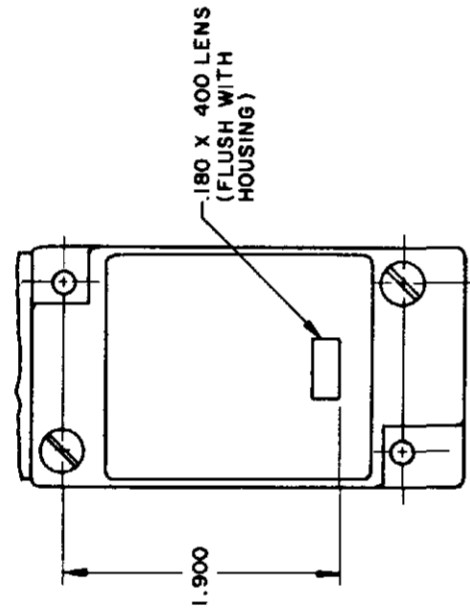


WIRE EXTENSION TYPE 7M ACTUATOR

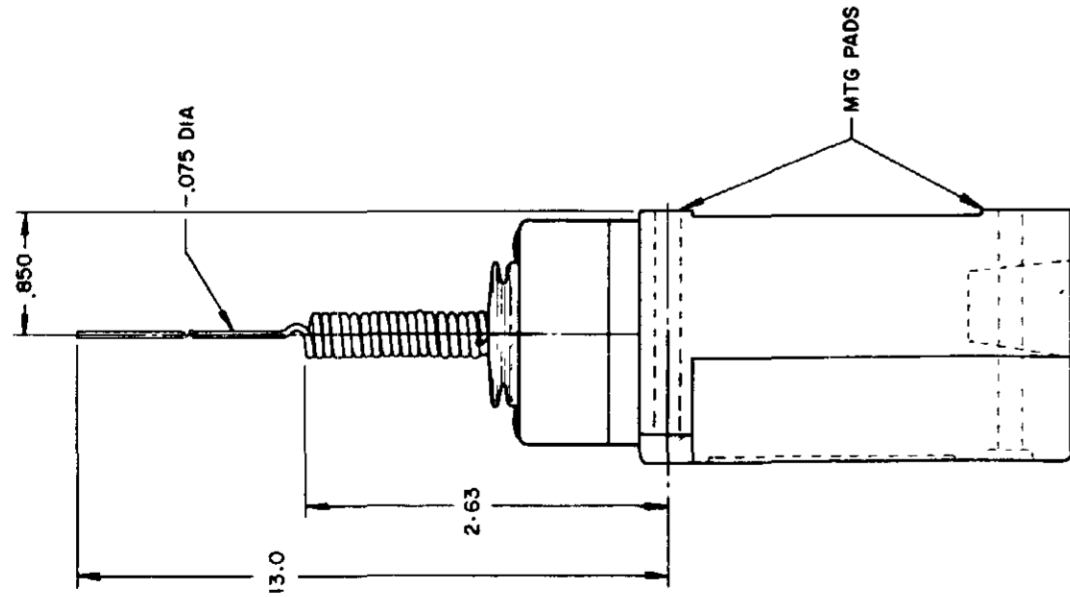
TYPE LSJ2 and LSJ4

LSJ6 and LSJ7 have 1/2 - 14 NPT CONDUIT HOLE

SINGLE POLE PLUG-IN ONLY
WITH INDICATOR LAMP



120 LAMP VOLTAGE TYPE LSJ5
240 LAMP VOLTAGE TYPE LSJ8



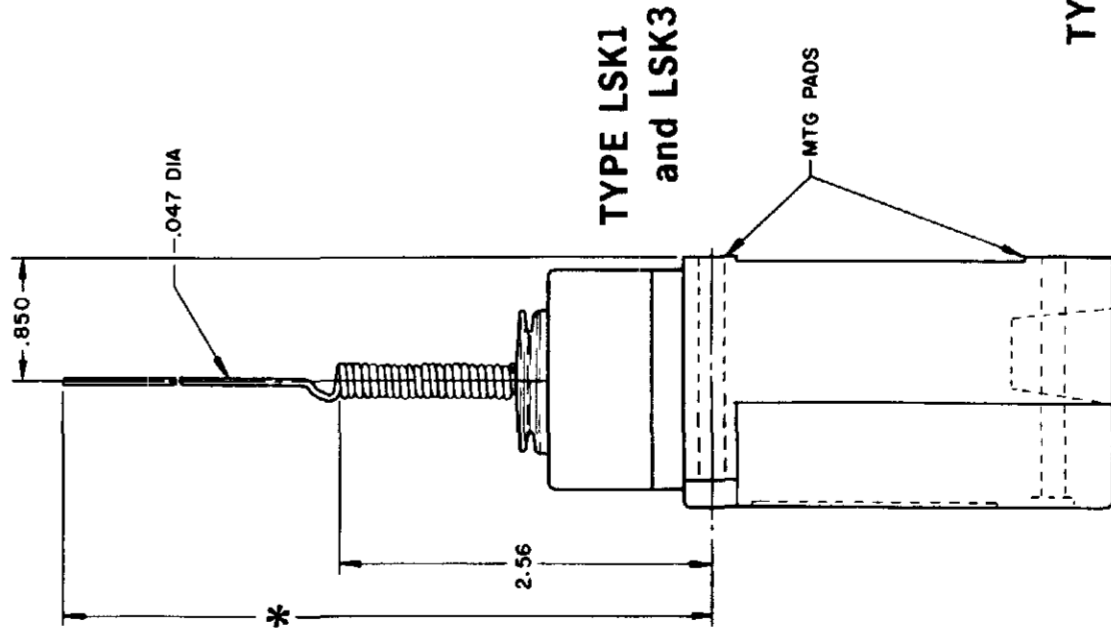
WIRE EXTENSION TYPE 7M ACTUATOR

TYPE LSJ1 and LSJ3

REPLACEMENT ACTUATOR - LSZ 4010

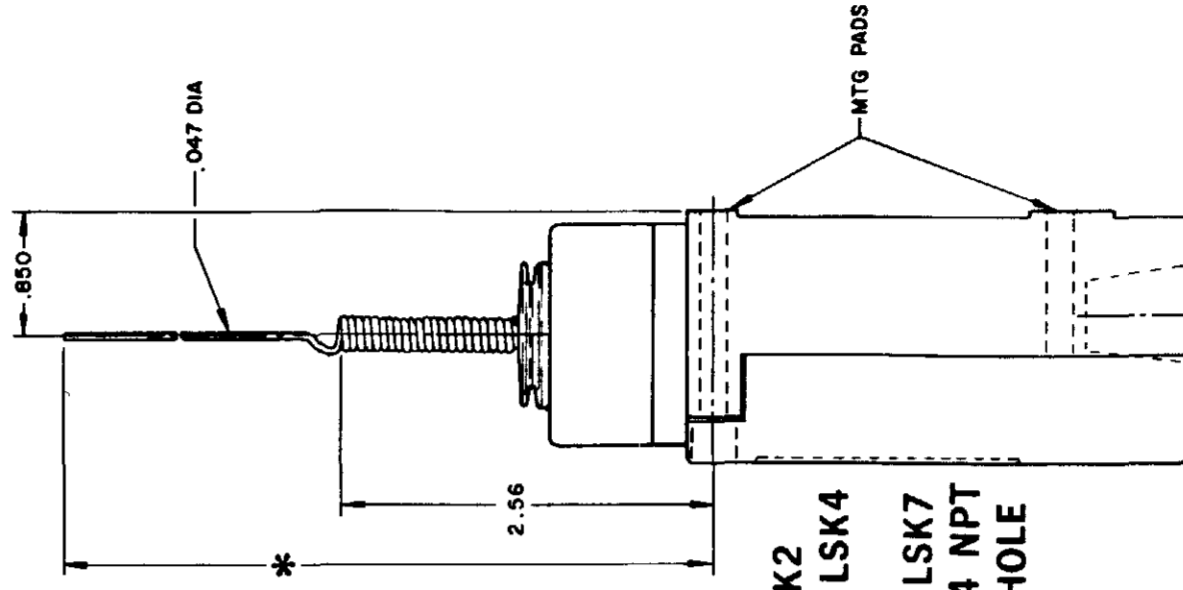
CAT WHISKER

SINGLE POLE



TYPE LSK1
and LSK3

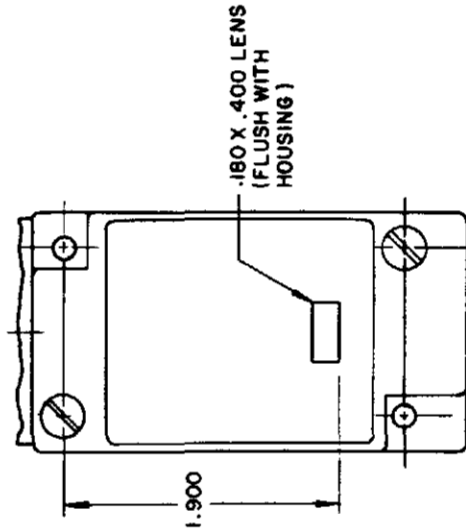
DOUBLE POLE



TYPE LSK2
and LSK4

LSK6 and LSK7
have 1/2 - 14 NPT
CONDUIT HOLE

SINGLE POLE PLUG-IN ONLY
WITH INDICATOR LAMP



120 LAMP VOLTAGE
TYPE LSK5 - CAT WHISKER TYPE LSB5 - TOP ROTARY
240 LAMP VOLTAGE
TYPE LSK8 - CAT WHISKER TYPE LSB8 - TOP ROTARY

* WIRE EXTENSION REPLACEMENT ACTUATOR

TYPE 8A ACTUATOR 5.5 IN.-LSZ 4012

TYPE 8B ACTUATOR 7.5 IN.-LSZ 4013

TYPE 8C COIL ACTUATOR 5.5 IN.-LSZ 4014
ACTUATOR 9.5 IN. - LSZ 4036

WIRE EXTENSION

* TYPE 8A ACTUATOR 5.5 IN.

TYPE 8B ACTUATOR 7.5 IN.

TYPE 8C ACTUATOR 5.5 IN.

TYPE 8D ROD ACTUATOR 5.5 IN.

SCALE NONE

DO NOT SCALE PRINT

PAGE 8 OF 10

THIS DRAWING COVERS A PROPRIETARY ITEM AND IS THE PROPERTY OF MICRO SWITCH A DIVISION OF HONEYWELL THIS DRAWING IS NOT TO BE COPIED OR USED WITHOUT THE APPROVAL OF MICRO SWITCH

MICRO SWITCH
a Honeywell Division

FED MFG CODE 91929

SWITCH - ENCLOSED

CATALOG LISTING

LSA-LSW SERIES

CHART 1

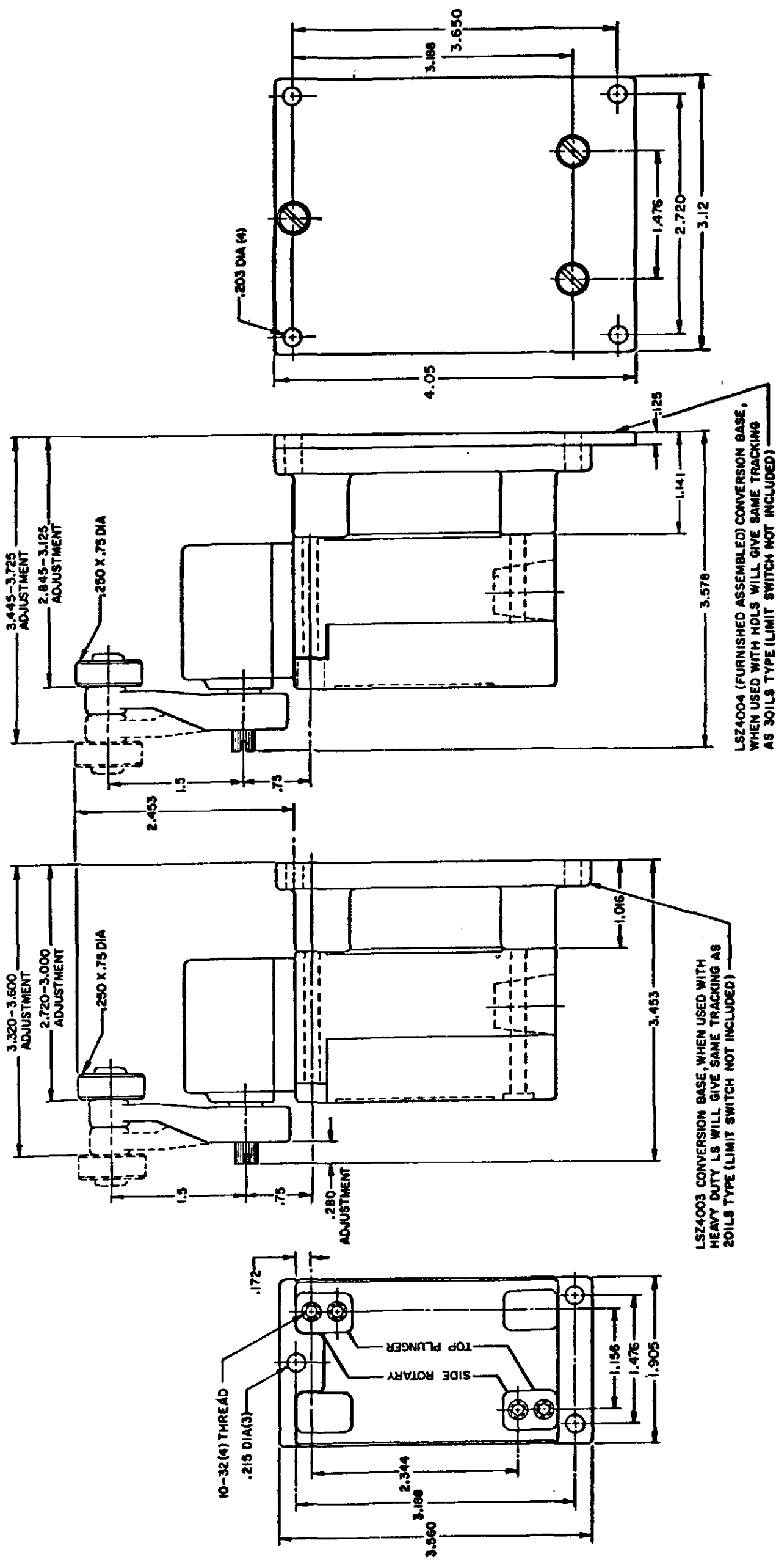
PRETRAVEL (APPROX) IN. RADIUS	CAT. WHISKER		WOBBLE STICK	
	5/16" WIRE	7/16" WIRE	ROD	CABLE
2	2	4.5	1.0	1.5
OPERATING FORCE-OZ (MAX)	7.0	5.0	3.0	10.0
			7.0	5.0

ISSUE	12	PSR	10JUL07	RELEASE NO	CO-78498	REPLACES	LSA-LSW SERIES
CATALOG LISTING	LSA-LSW SERIES CHART 1						
PAGE	9 OF 10						
REVISONS	L	0031956	BS	10JUL07	B	201004	10AUG00
	C	201748	CSL	23JAN01	D	202198	23JAN01
	E	204871	GJW	FEB02	F	206581	1JUL94
	G	206763	GLH	14OCT02	H	207179	31OCT02
	J	207474	GL	14JAN03	K	0006871	15JUN94
	K	0006871	KR	11AUG04			

CONVERSION BASES

SINGLE POLE (SIDE ROTARY) LSZ 4003

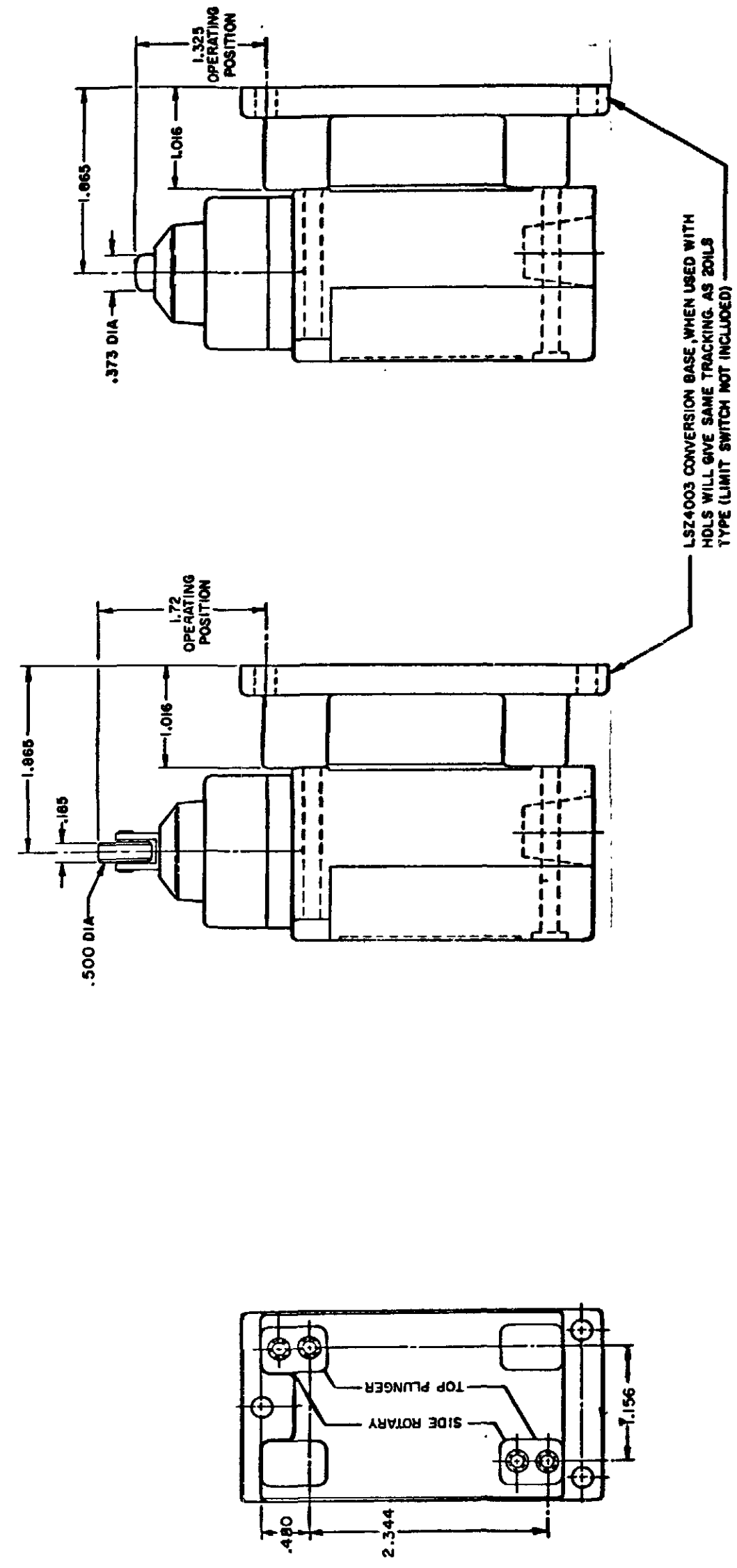
DOUBLE POLE (SIDE ROTARY) LSZ 4004



LSZ4004 (FURNISHED ASSEMBLED) CONVERSION BASE, WHEN USED WITH HOLDS WILL GIVE SAME TRACKING AS 301LS TYPE (LIMIT SWITCH NOT INCLUDED)

LSZ4003 CONVERSION BASE WHEN USED WITH HEAVY DUTY LS WILL GIVE SAME TRACKING AS 201LS TYPE (LIMIT SWITCH NOT INCLUDED)

SINGLE POLE TOP PLUNGER LSZ 4003



NOTE SEE OTHER PAGES OF LSA-LSW (M) DRAWING FOR DIMENSION OF LIMIT SWITCH

NOTE SEE OTHER PAGES OF LSA-LSW (M) DRAWING FOR DIMENSION OF LIMITS

THIS DRAWING COVERS A PROPRIETARY ITEM AND IS THE PROPERTY OF MICRO SWITCH, A DIVISION OF HONEYWELL. THIS DRAWING IS NOT TO BE COPIED OR USED WITHOUT THE APPROVAL OF MICRO SWITCH.

MICRO SWITCH
a Honeywell Division

SWITCH - ENCLOSED

CATALOG LISTING
LSA-LSW SERIES
CHART 1

SCALE FULL
DO NOT SCALE PRINT

PAGE 9 OF 10

HEAD TYPE	CELLULUBE	DETERGENT	5 STAR	ASTM #1	ASTM #2	ASTM #3	ASTM #4	HOUGHTON SAFE 271	HOUGHTON SAFE 820	HOUGHTON SAFE 1010, 1055	MINERAL OIL	PETR. OIL CRUDE	SILICON GR & OIL	SUNSAFE	BEER	STODDARD SOLV.	CHLORINATED SOLVENTS	CITRIC ACID	D-ESTER SYN. LUBRICANTS	OZONE	HYDRAUL	PROGUARD	PETRO. BASE HYDRAULIC OIL	LARD OIL	SILICATE ESTERS
LSA	4	1	1	1	1	2	1	4	1	1	1	1	1	1	4	1	2	4	4	4	4	1	1	2	
LSB	4	1	1	1	1	2	1	4	1	1	1	1	1	1	4	1	2	4	4	4	4	1	1	2	
LSC	4	2	2	1	2	4	4	2	4	2	2	1	2	1	2	4	1	4	3	4	4	2	2	2	
LSD	4	2	2	1	2	4	4	2	4	2	2	1	2	1	2	4	1	4	3	4	4	2	2	2	
LSE	4	2	2	1	2	4	4	2	4	2	2	1	2	1	2	4	1	4	3	4	4	2	2	2	
LSF	4	2	2	1	2	4	4	2	4	2	2	1	2	1	2	4	1	4	2	4	4	2	2	2	
LSG	4	2	2	1	2	4	4	2	4	2	2	1	2	1	2	4	1	4	3	4	4	2	2	2	
LSH	4	1	1	1	1	2	1	4	1	1	1	1	1	1	4	1	2	4	4	4	4	1	1	2	
LSJ	4	2	2	1	2	4	4	2	4	2	2	1	2	1	2	4	1	4	3	4	4	2	2	2	
LSK	4	2	2	1	2	4	4	2	4	2	2	1	2	1	2	4	1	4	3	4	4	2	2	2	
LSL	4	1	1	1	1	2	1	4	1	1	1	1	1	1	4	1	2	4	4	4	4	1	1	2	
LSM	4	1	1	1	1	2	1	4	1	1	1	1	1	1	4	1	2	4	4	4	4	1	1	2	
LSN	4	1	1	1	1	2	1	4	1	1	1	1	1	1	4	1	2	4	4	4	4	1	1	2	
LSP	4	1	1	1	1	2	1	4	1	1	1	1	1	1	4	1	2	4	4	4	4	1	1	2	
LSR	4	1	1	1	1	2	1	4	1	1	1	1	1	1	4	1	2	4	4	4	4	1	1	2	
LSV	4	2	2	1	2	4	4	2	4	2	2	1	2	1	2	4	1	4	3	4	4	2	2	2	
LSW	4	2	2	1	2	4	4	2	4	2	2	1	2	1	2	4	1	4	2	4	4	2	2	2	
LST	UNSEALED DEVICE, INTENDED TO MEET NEMA 1 ONLY																								
LSS	UNSEALED DEVICE, INTENDED TO MEET NEMA 1 ONLY																								

CODE: 1 SATISFACTORY 2 FAIR 3 DOUBTFUL 4 UNSATISFACTORY

TEMPERATURE LIMITATIONS FOR STANDARD DEVICES		
TYPES	LOW LIMIT	HIGH LIMIT
LSA	+10°F	+250°F
LSB	+30°F	+250°F
LSC	+10°F	+200°F
LSD	+10°F	+200°F
LSE	+10°F	+200°F
LSF	+10°F	+200°F
LSG	+30°F	+200°F
LSH	+30°F	+250°F
LSJ	+10°F	+200°F
LSK	+10°F	+200°F
LSL	+10°F	+250°F
LSM	+30°F	+250°F
LSN	+30°F	+250°F
LSP	+10°F	+250°F
LSR	+30°F	+250°F
LSV	+10°F	+200°F
LSW	+10°F	+200°F
LST	+30 F	+170°F
LSS	+30°F	+170°F

CATALOG LISTING
M LSA-LSW SERIES CHART 1
 PAGE 10 OF 10
 ISSUE 12
 PSR 10JUL07
 RELEASE NO. CO-78498
 REPLACES LSA-LSW SERIES
 REVISIONS
 L 0031956 BS 10JUL07
 B 201004 10AUG00
 C 201748 17NOV00
 D 202198 23JAN01
 E 204871
 F 206581 14OCT02
 G 206783 31OCT02
 H 207179 14JAN03
 J 207474
 K 0006871 18FEB03
 KR 11AUG04
 DRAWN MAM
 CHECK JAF 11JUL94
 CHECK AK 11AUG04
 RASTER

THIS DRAWING COVERS A PROPRIETARY ITEM AND IS THE PROPERTY OF MICRO SWITCH A DIVISION OF HONEYWELL THIS DRAWING IS NOT TO BE COPIED OR USED WITHOUT THE APPROVAL OF MICRO SWITCH

MICRO SWITCH
a Honeywell Division

SWITCH - ENCLOSED

LSA-LSW SERIES
CHART 1

FED. MFG. CODE 91929

CATALOG LISTING

PAGE 10 OF 10

SCALE