

**3/8 " Pass Thru Stud Block**



**Specifications:**

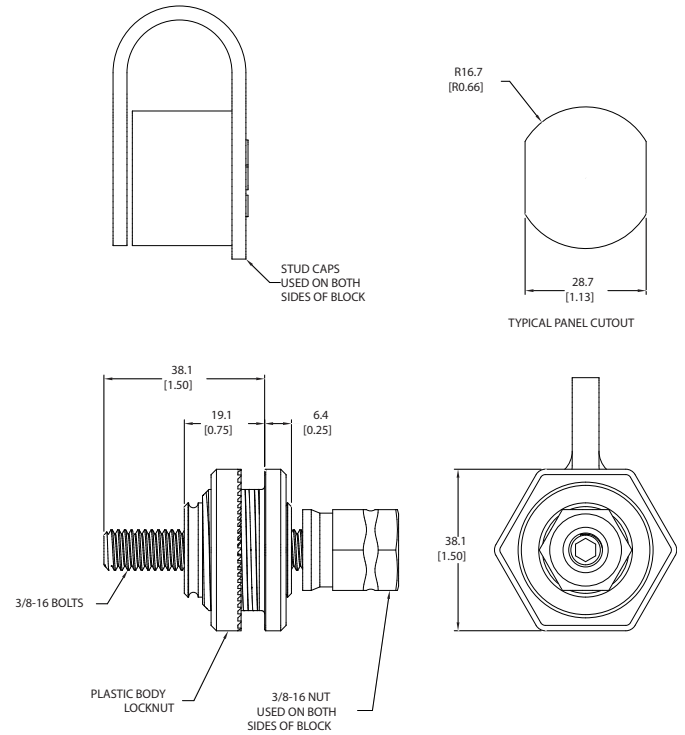
<b>Voltage Rating:</b>	400A
<b>Locknut Torque:</b>	54.2 Nm
<b>Body Mounting Nut Torque:</b>	13.6 Nm
<b>Materials:</b>	Body-Nylon 66 (120°C) Contact - Copper 110 Studs - Zinc-plated steel Locknut - Zinc-plated steel Body nut - Nylon 66 Stud caps - PVC
<b>Operating Temperature Range:</b>	-40°C - 125°C

Our 3/8" pass-thru stud has a high electrical rating and low resistance due to a large cross-sectional contact area. It also uses highly conductive materials to outperform the competition.

This pass-thru stud boasts high installation torque values to allow the use of large cable sizes for high current applications. Stud caps are included to protect from accidental shorts.

The pass-thru stud is available with red or black body and stud cap to help color-code circuits in the vehicle. A plastic body locknut ensures quick and easy firewall-mount installation without the need for additional hardware.

**Dimensions in millimeters**



Part Number	Color
JBPT0001Z	Red
JBPT0002Z	Black