

4

3

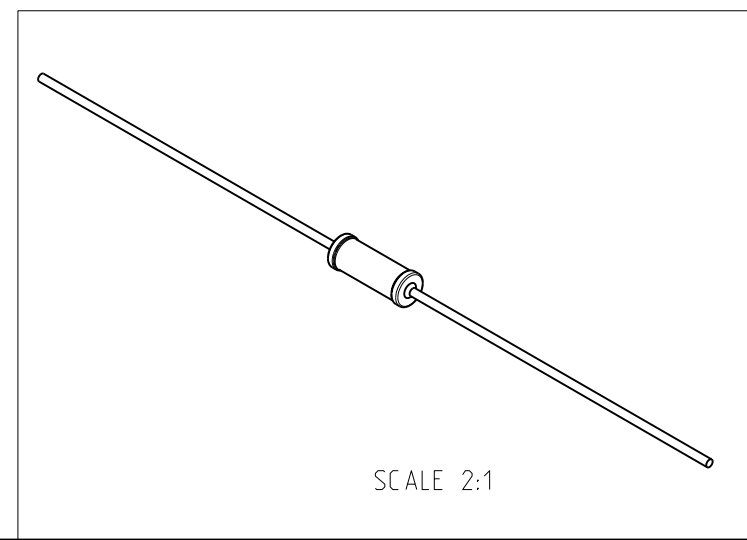
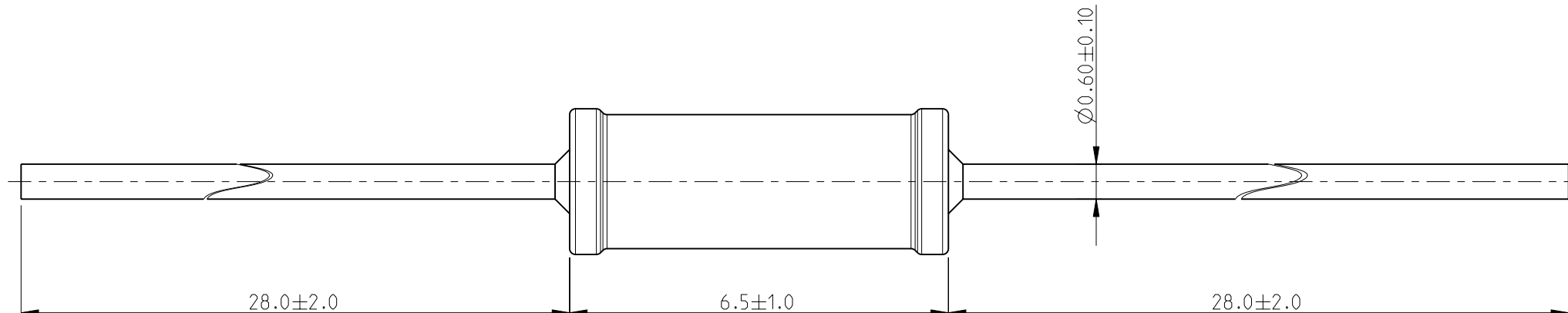
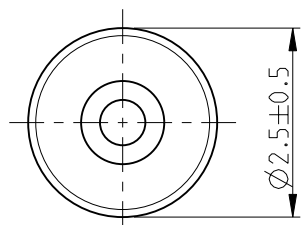
2


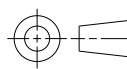
1

THIS DRAWING IS UNPUBLISHED. RELEASED FOR PUBLICATION 2008
 © COPYRIGHT 2008 - ALL RIGHTS RESERVED.

LOC	DIST	REVISIONS			
P	LTR	DESCRIPTION	DATE	DWN	APVD
	BA1	REVISED PER ECO-11-005150	29MAR2011	RK	HMR

FOR FURTHER INFORMATION SEE DATA SHEET FOR
 SERIES RGP- METAL GLAZE FIXED RESISTORS



THIS DRAWING IS A CONTROLLED DOCUMENT.		DWN	22-DEC-08		 TE Connectivity
DIMENSIONS:		CHK	22-DEC-08		
mm		APVD	22-DEC-08		
		TOLERANCES UNLESS OTHERWISE SPECIFIED:		NAME	
		0 PLC ± 0.2		METAL GLAZE FIXED RESISTORS	
		1 PLC ± 0.1		STYLE RGP0207CH	
		2 PLC ± -		-	
		3 PLC ± -		-	
		4 PLC ± -		-	
		ANGLES ± - ± 5°		-	
MATERIAL -		FINISH -		SIZE	
				A3	
				CAGE CODE	
				00779	
				DRAWING NO	
				1623708	
				RESTRICTED TO	
				-	
		CUSTOMER DRAWING		SCALE	
				10:1	
				SHEET	
				1 OF 1	
				REV	
				BA1	