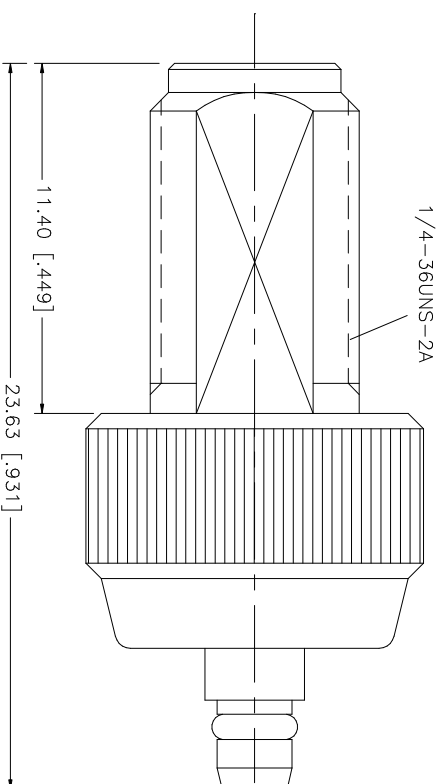
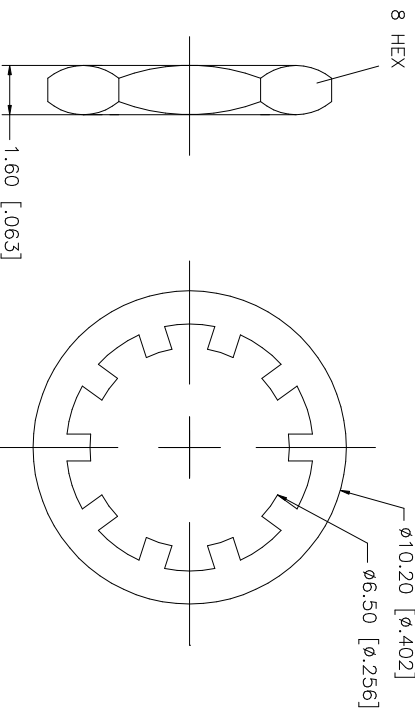
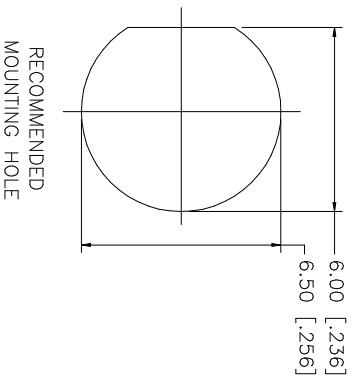


REV.	DATE	DESCRIPTION
NC	06/20/02	INITIAL RELEASE



DESCRIPTION	MATERIAL	FINISH	QTY	DO NOT SCALE DRAWING	APPROVALS	DATE	PART DESCRIPTION	DWG. NO.	REV.	SIZE	SCALE
8							<p>Amphenol Connex</p> <p>SMA FEMALE TO MMCX MALE ADAPTER</p>	242193.DWG	NC	A	NA
7											
6											
5	HEX NUT	BRASS	GOLD	1							
4	LOCK WASHER	BRASS	GOLD	1							
3	CONTACT PIN	BER. COPPER	GOLD	1							
2	INSULATOR	TEFLON	NATURAL	1							
1	BODY	BRASS	GOLD	1							
UNLESS OTHERWISE SPECIFIED DIMENSIONS ARE IN MILLIMETERS. DIMENSIONS IN [] ARE IN INCHES AND FOR CUSTOMER REFERENCE ONLY. TOLERANCES FOR MILLIMETERS ARE:											
UNLESS OTHERWISE SPECIFIED TOLERANCES FOR MILLIMETERS ARE:											
0.5 - 8mm ± 0.20mm											
8 - 30mm ± 0.40mm											
30 - 120mm ± 0.50mm											
UNLESS OTHERWISE SPECIFIED TOLERANCES FOR INCHES ARE:											
.020 - .315 = ± 0.007"											
.315 - 1.180 = ± 0.015"											
1.180 - 4.724 = ± 0.020"											
CAD FILE C:/242/242193											