

PART NAME: KNOB SCALE: 1:1 DATE: 6/23/72 DR. BY NH

THIS DRAWING IS THE PROPERTY OF DAVIES MOLDING COMPANY, IS SUBMITTED SOLELY AS A DESIGN OR ENGINEERING PROJECT. WE ACCEPT NO RESPONSIBILITY WHATSOEVER FOR THE PRACTICAL APPLICATION OF THE PIECES MADE TO THIS DESIGN.



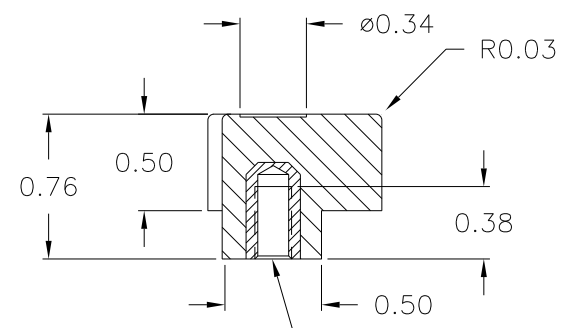
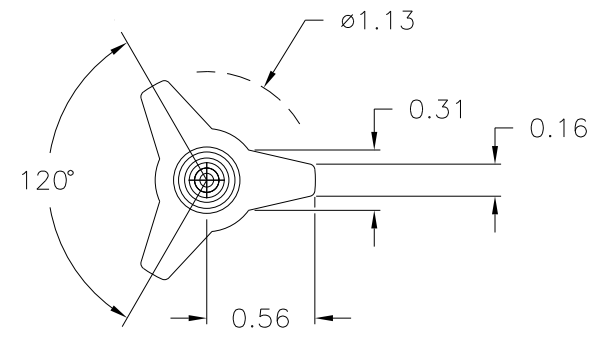
DESIGNERS & MANUFACTURERS OF KNOBS, HANDLES, CASES & CUSTOM PLASTIC COMPONENTS

P/N 3025AZ

M NO. 3025

CAVITY	3025
PLUNGER	3025
PINS	3025 & 3025-B
SHIMS	1/4+1/8
INSERT	10012
PLUNGER PIN	3025-A

(A)



10-24 UNC-2B THREADED, 10012, H.H. BRASS

MATERIAL: G.P. PHENOLIC (B11)
COLOR: BLACK

TOLERANCES: UNLESS OTHERWISE SPECIFIED	DO NOT SCALE DRAWING			
DECIMALS: X.XXX \pm .005 X.XX \pm .015	MM: X.XX \pm 0.15MM X.X \pm 0.4MM	-	CAD/REDRAWN	TL 4/29/99
FRACTIONS \pm 1/64	ANG. \pm 1°	A	WAS 3025-A PIN	HD 11/7/72
CHANGES				