

PLEASE CHECK WWW.MOLEX.COM FOR LATEST PART INFORMATION

Part Number: **0769903038**
Status: **Active**
Overview: Impact™ Backplane Connector and Cable Assembly System
Description: Impact™ 100 Ohm 5 Pair Right Angle Orthogonal Daughtercard, Left Guide, 8 Columns, 120 Circuits, Plated Through Hole Dimension 0.39mm, Lead-Free

Documents:

3D Model	Application Specification AS-76060-9999 (PDF)
Drawing (PDF)	Application Specification AS-76850-990 (PDF)
Product Specification PS-76060-999 (PDF)	RoHS Certificate of Compliance (PDF)

Agency Certification

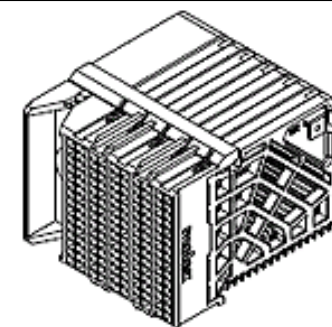
UL E29179

General

Product Family	Backplane Connectors
Series	76990
Application	Daughtercard, Orthogonal, Orthogonal Direct, Orthogonal Midplane
Application Tooling Documents	TM-622018799
Component Type	PCB Receptacle
Overview	Impact™ Backplane Connector and Cable Assembly System
Product Name	Impact™
UPC	887191372808

Physical

Circuits (Loaded)	120
Circuits (maximum)	120
Color - Resin	Black
Durability (mating cycles max)	200
First Mate / Last Break	No
Flammability	94V-0
Guide to Mating Part	Yes
Keying to Mating Part	None
Material - Metal	High Performance Alloy (HPA)
Material - Plating Mating	Gold
Material - Plating Termination	Tin
Material - Resin	High Temperature Thermoplastic
Net Weight	18.628/g
Number of Columns	8
Number of Pairs	5
Number of Rows	15
Orientation	Right Angle
PC Tail Length	1.20mm
PCB Locator	No
PCB Retention	None
PCB Thickness - Recommended	1.00mm
Packaging Type	Tray
Pitch - Mating Interface	1.90mm, 2.15mm
Pitch - Termination Interface	1.90mm, 2.15mm
Plating min - Mating	0.762µm
Polarized to PCB	Yes
Stackable	No
Surface Mount Compatible (SMC)	No
Temperature Range - Operating	-55°C to +85°C
Termination Interface: Style	Through Hole - Compliant Pin



Series image - Reference only

EU ELV

Not Relevant

EU RoHS

Compliant

REACH SVHC

Not Contained Per
-ED/79/2015 (17
December 2015)

Halogen-Free

Status

Low-Halogen

Need more information on product environmental compliance?

Email productcompliance@molex.com
Please visit the [Contact Us](#) section for any non-product compliance questions.

China ROHS

ELV

Green Image

Not Relevant

Search Parts in this Series

[76990 Series](#)

Mates With

[76985 Impact™ 100 Ohm Backplane Header](#)

Application Tooling | FAQ

Tooling specifications and manuals are found by selecting the products below. Crimp Height Specifications are then contained in the Application Tooling Specification document.

Global

Description	Product #
Impact Daughter Card Extraction Tool	0622024300
Press-In Tool for Daughter Card 5-Pair by 8-Column Assemblies	0622018754

Electrical

Current - Maximum per Contact	0.75A
Data Rate	25.0 Gbps
Impedance	100#
Shield Type	N/A
Shielded	No
Voltage - Maximum	30V AC (RMS)/DC

Solder Process Data

Lead-freeProcess Capability	N/A
-----------------------------	-----

Material Info**Reference - Drawing Numbers**

Application Specification	AS-76060-9999, AS-76850-990
Electrical Model Document	EE-76990-049, EE-76990-055
Product Specification	PS-76060-999
S-Parameter Model	SP-76990-049, SP-76990-055
Sales Drawing	SD-76990-002
Symbol/Footprint Data	SYM-76990-3038

This document was generated on 03/30/2016

PLEASE CHECK WWW.MOLEX.COM FOR LATEST PART INFORMATION