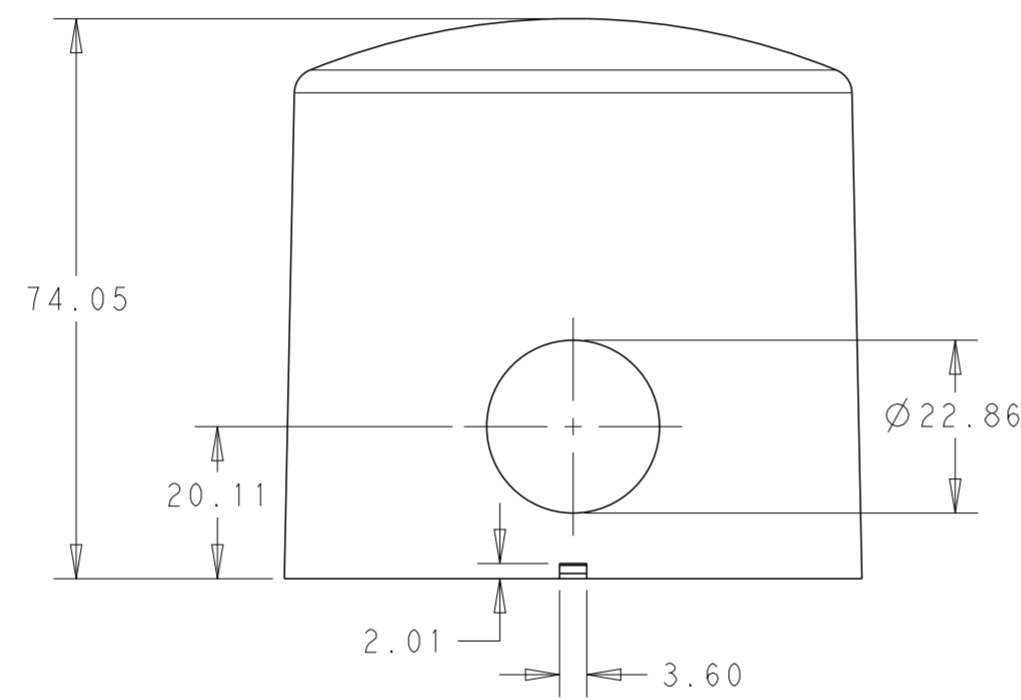
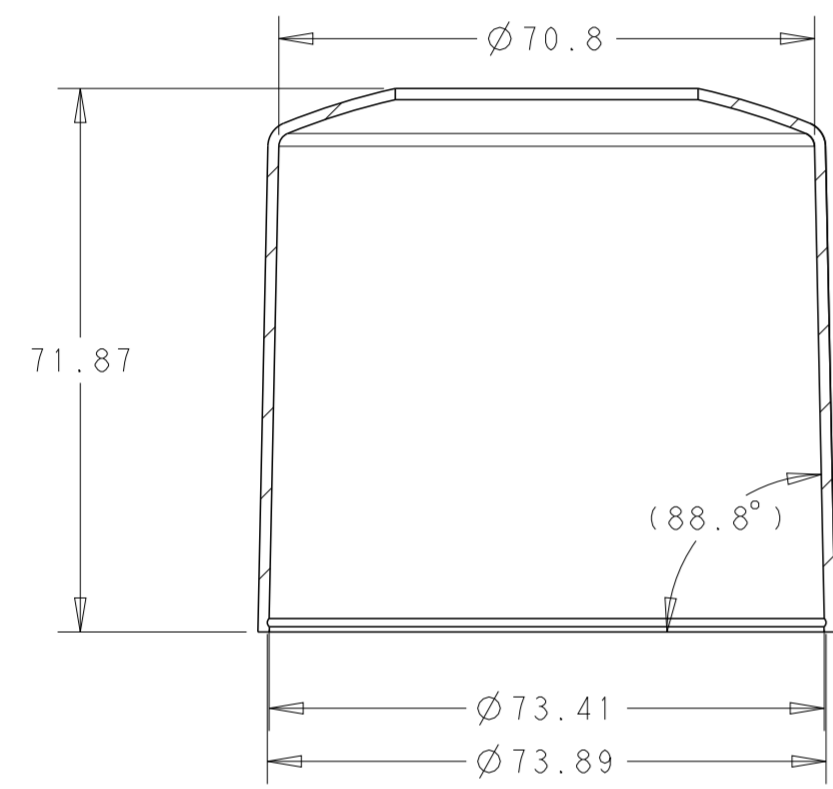
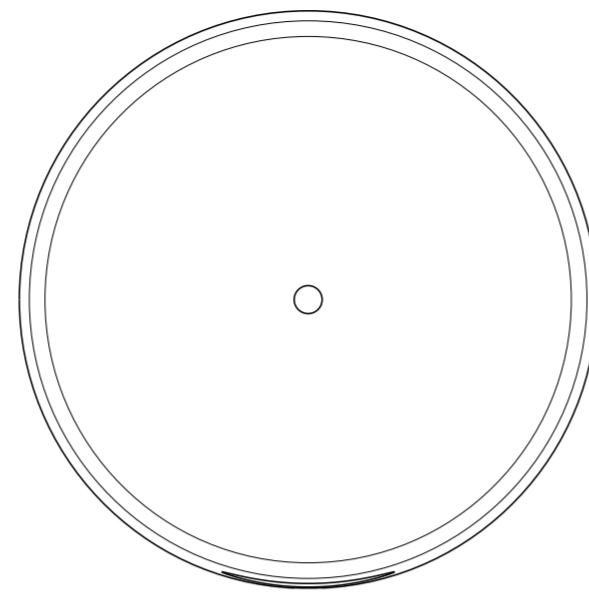
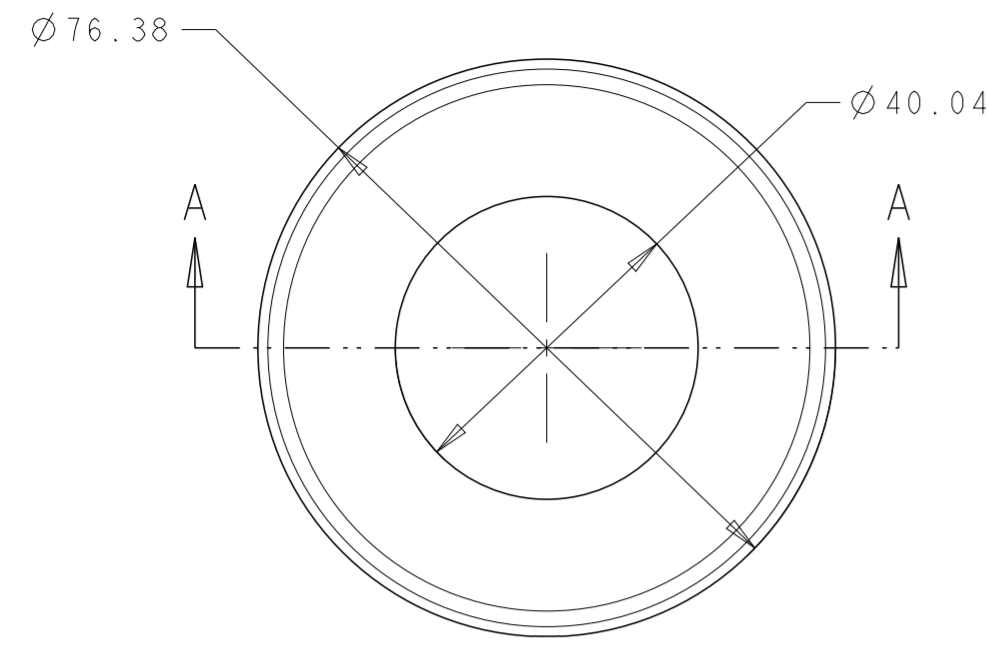
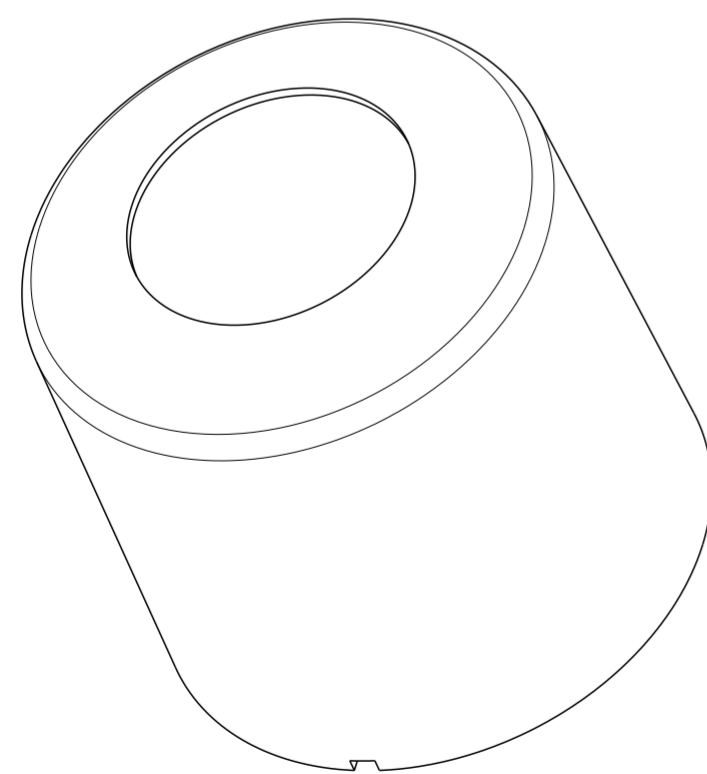


THIS DRAWING IS UNPUBLISHED. RELEASED FOR PUBLICATION 20
 © COPYRIGHT 20 BY - ALL RIGHTS RESERVED.

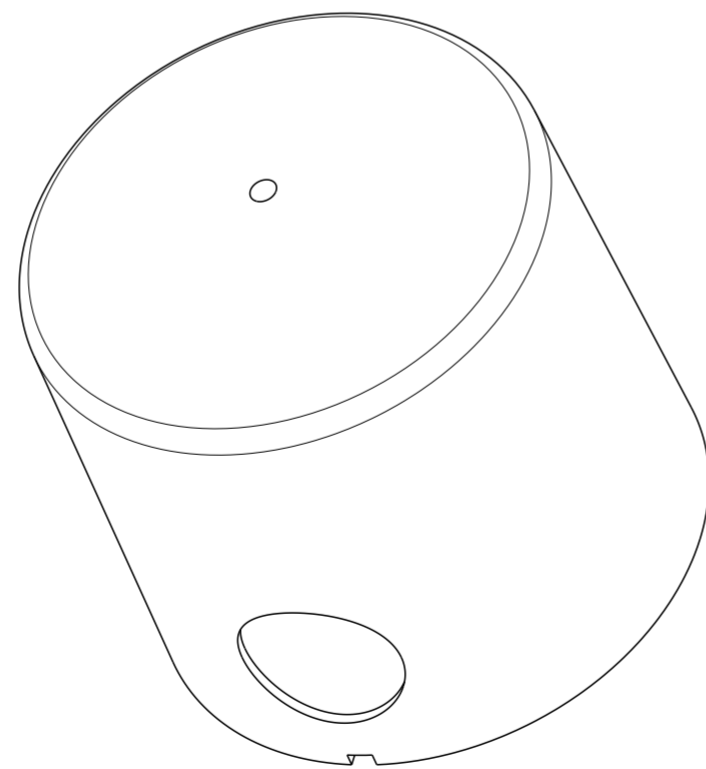
REVISIONS					
P	LTR	DESCRIPTION	DATE	DWN	APVD
A		REVISED PER ECO-17-010648	21JUL2017	RK	DD
A1		REVISED PER ECO-17-014846	12OCT2017	RK	DD



SECTION A - A



2213996-1
SHOWN



1-2213996-1
SHOWN

NOTES:

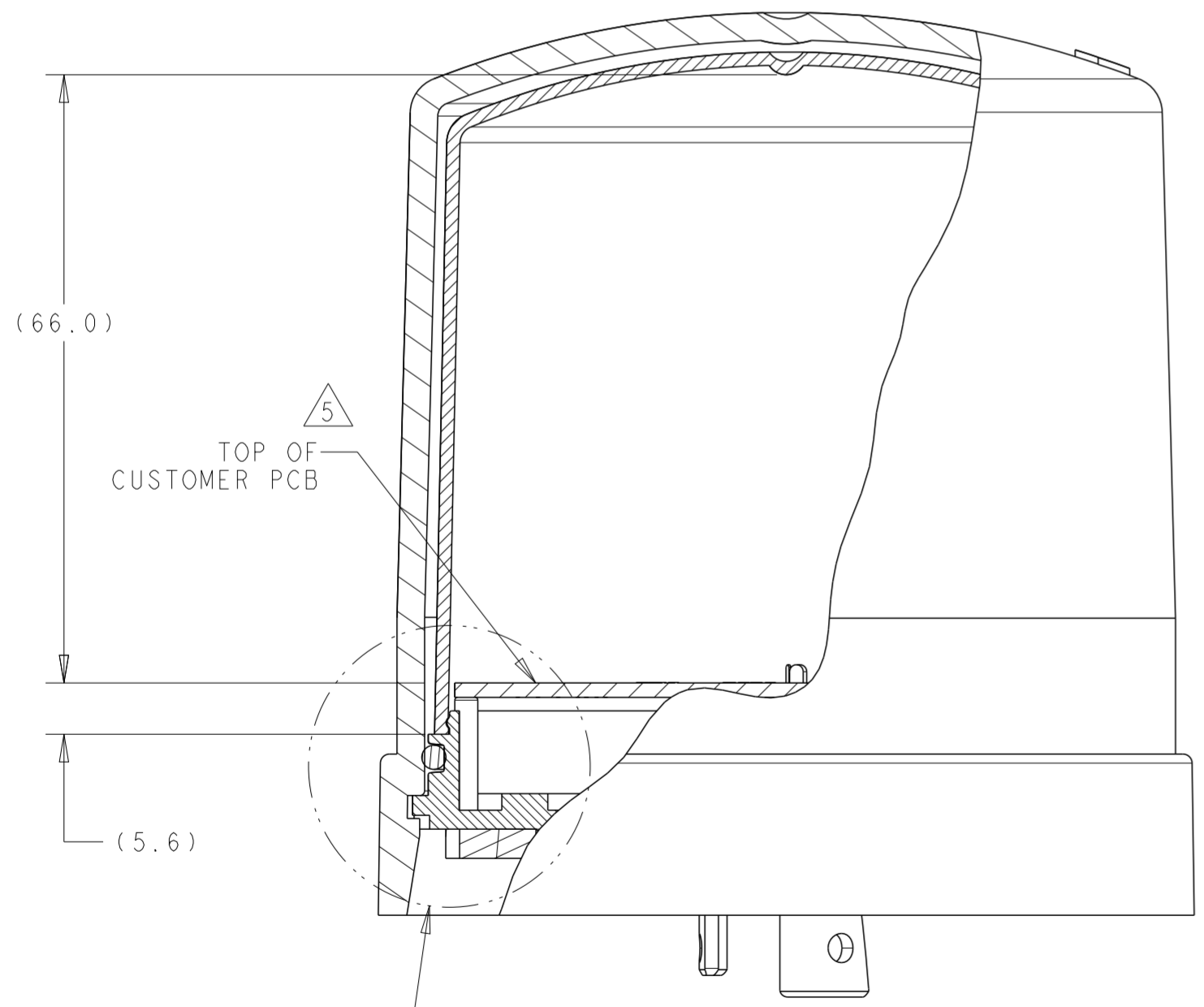
- 1 MATERIAL: PBT
- 2 MATING LIGHT CONTROLLER BASE ASSEMBLY TE P/N 2213871-2 AND 1-2213871-2.
- 3. THIS PRODUCT HAS NOT COMPLETED VALIDATION TESTING.
- 4 DOME P/N 2306130-1 OR 1-2306130-1 TO BE USED WITH SLEEVE P/N 2213996.
- 5 MAX ALLOWABLE PCB DIAMETER= \varnothing 72.00

SIDE HOLE	JET BLACK	1-2213996-1
TOP HOLE	JET BLACK	2213996-1
DESCRIPTION	COLOR	PART NO.

THIS DRAWING IS A CONTROLLED DOCUMENT.		DWN J. SHAFFER 13JUN2016	APVD -		NAME STE TE Connectivity																					
		CHK E. HOWARD 13JUN2016	APVD -																							
DIMENSIONS: mm		TOLERANCES UNLESS OTHERWISE SPECIFIED:		PRODUCT SPEC 108-32125																						
<table border="0"> <tr><td>0 PLC</td><td>±</td><td>-</td></tr> <tr><td>1 PLC</td><td>±0.3</td><td>-</td></tr> <tr><td>2 PLC</td><td>±0.25</td><td>-</td></tr> <tr><td>3 PLC</td><td>±</td><td>-</td></tr> <tr><td>4 PLC</td><td>±</td><td>-</td></tr> <tr><td>ANGLES</td><td>±</td><td>-</td></tr> <tr><td>FINISH</td><td>-</td><td>-</td></tr> </table>		0 PLC	±	-	1 PLC	±0.3	-	2 PLC	±0.25	-	3 PLC	±	-	4 PLC	±	-	ANGLES	±	-	FINISH	-	-	APPLICATION SPEC 114-32159		SIZE A2	
0 PLC	±	-																								
1 PLC	±0.3	-																								
2 PLC	±0.25	-																								
3 PLC	±	-																								
4 PLC	±	-																								
ANGLES	±	-																								
FINISH	-	-																								
MATERIAL 1		WEIGHT -		DRAWING NO. C-2213996																						
CUSTOMER DRAWING		SCALE 1:1		SHEET 1 OF 2 REV A1																						

THIS DRAWING IS UNPUBLISHED. RELEASED FOR PUBLICATION 20
 © COPYRIGHT 20 BY - ALL RIGHTS RESERVED.

REVISIONS				
P	LTR	DESCRIPTION	DATE	APVD
-	-	SEE SHEET 1	-	-



DETAIL A
SCALE 3:1

SECTION B-B
SCALE 3:2

THIS DRAWING IS A CONTROLLED DOCUMENT.		DWN J. SHAFFER 13 JUN 2016	TE Connectivity	
		CHK E. HOWARD 13 JUN 2016		
DIMENSIONS: mm		APVD -	NAME SLEEVE, CONTROLLER, LIGHT BASE, 81MM DIA	
TOLERANCES UNLESS OTHERWISE SPECIFIED: 0 PLC ± 1 PLC ±0.3 2 PLC ±0.25 3 PLC ± 4 PLC ± ANGLES ± FINISH -		PRODUCT SPEC 108-32125	RESTRICTED TO -	
MATERIAL		APPLICATION SPEC 114-32159	SIZE A2	CAGE CODE -
		WEIGHT -	DRAWING NO C-2213996	SCALE 1:1
		CUSTOMER DRAWING	SHEET 2 OF 2	REV A1