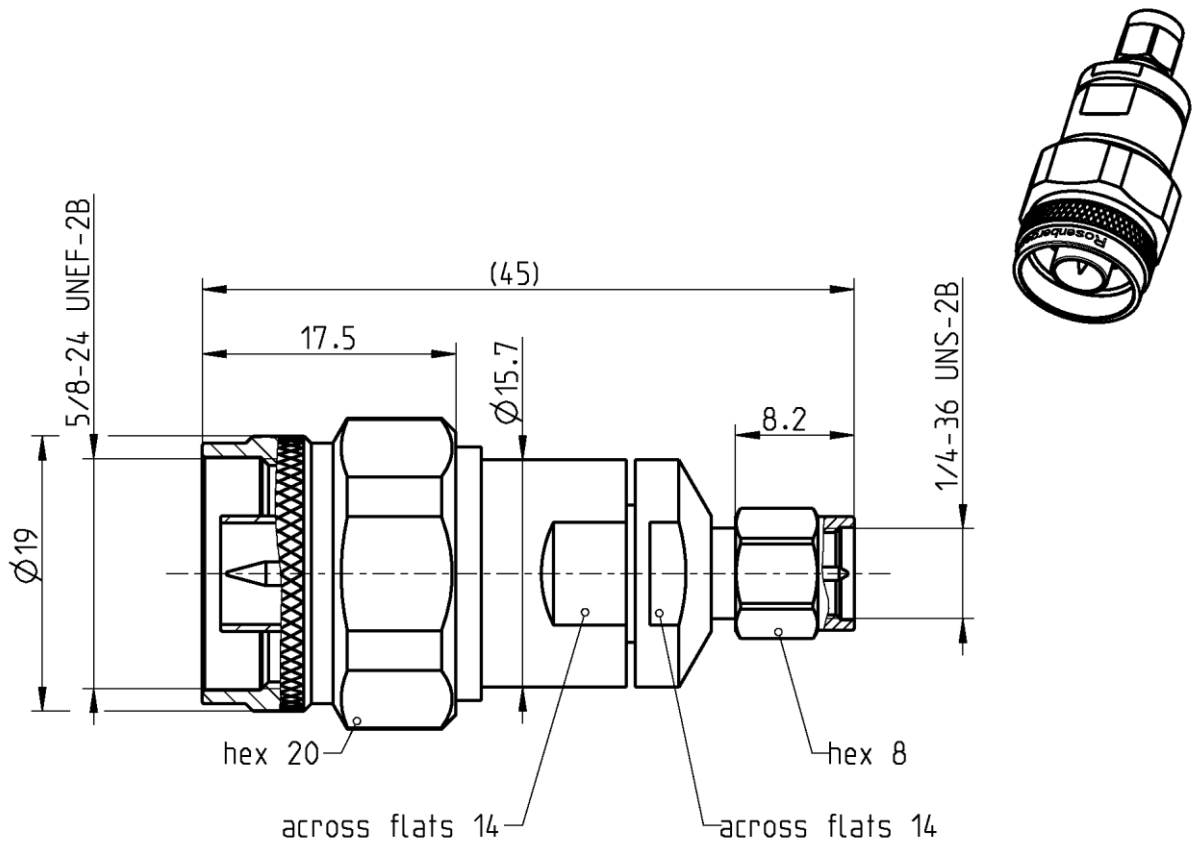


Adaptor  
RPC-N 50 Ω plug – SMA plug

**05S132-S00S3**



All dimensions are in mm; tolerances according to ISO 2768 m-H

**Interface**

RPC-N according to  
SMA according to  
SMA mechanically compatible with

IEC 61169-16; MIL-STD 348A/402  
IEC 60169-15; EN 122110; MIL-STD-348A/310  
RPC-2.92 and RPC-3.50

**Documents**

N/A

**Material and plating**

**Connector parts**

Center contact  
Outer contact  
Coupling nut  
Dielectric 1  
Dielectric 1  
Gasket SMA

**Material**

CuBe  
Stainless steel  
Stainless steel  
PPE  
PTFE  
Silicone

**Plating**

Gold, min. 1.27  $\mu$ m, over chemical nickel  
Passivated  
Passivated

Dieses Dokument ist urheberrechtlich geschützt • This document is protected by copyright • Rosenberger Hochfrequenztechnik GmbH & Co. KG

RF\_35/09.14/6.2

Adaptor  
RPC-N 50 Ω plug – SMA plug

**05S132-S00S3**

**Electrical data**

Impedance	50 Ω
Frequency	DC to 18 GHz
Return loss	≥ 23 dB, DC to 18 GHz
Insertion loss	≤ 0.1 x √f(GHz) dB
Insulation resistance	≥ 5 GΩ
Test voltage (at sea level)	1000 V rms
Working voltage (at sea level)	480 V rms
RF-leakage	≥ 90 dB up to 1 GHz

**Mechanical data**

Mating cycles	≥ 500
Center contact captivation	≥ 28 N
Coupling test torque RPC-N	1.70 Nm
Recommended torque RPC-N	0.70 Nm to 1.10 Nm
Coupling test torque SMA	1.70 Nm
Recommended torque SMA	0.80 Nm to 1.10 Nm

**Environmental data**

Temperature range	-40°C to +85°C
Thermal shock	IEC 61169-1, Subclause 9.4.4
Corrosion	IEC 61169-1, Subclause 9.4.6
Vibration	IEC 61169-1, Subclause 9.3.3
Shock	IEC 61169-1, Subclause 9.3.14
Moisture resistance	IEC 61169-1, Subclause 9.4.3
RoHS	compliant

**Tooling**

N/A

**Suitable cables**

N/A

**Weight**

43.6 g/pce

While the information has been carefully compiled to the best of our knowledge, nothing is intended as representation or warranty on our part and no statement herein shall be construed as recommendation to infringe existing patents. In the effort to improve our products, we reserve the right to make changes judged to be necessary.

Draft	Date	Approved	Date	Rev.	Engineering change number	Name	Date
Herbert Babinger	02.08.04	F. Reiner	20.06.18	c01	18-1026	M.Ruf	20.06.18

Rosenberger Hochfrequenztechnik GmbH & Co. KG  
P.O.Box 1260 D-84526 Tittmoning Germany  
[www.rosenberger.de](http://www.rosenberger.de)

Tel. : +49 8684 18-0  
Email : [info@rosenberger.de](mailto:info@rosenberger.de)

Page

2 / 2