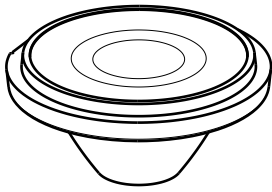


D

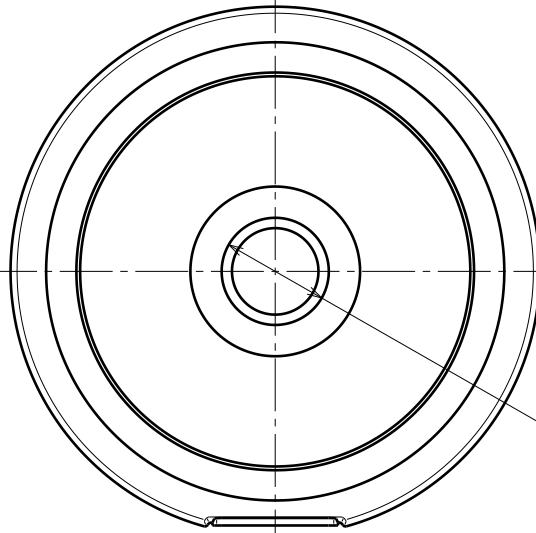
C

B

A



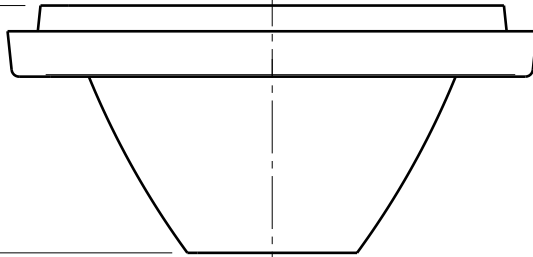
Isometric view



Bottom view

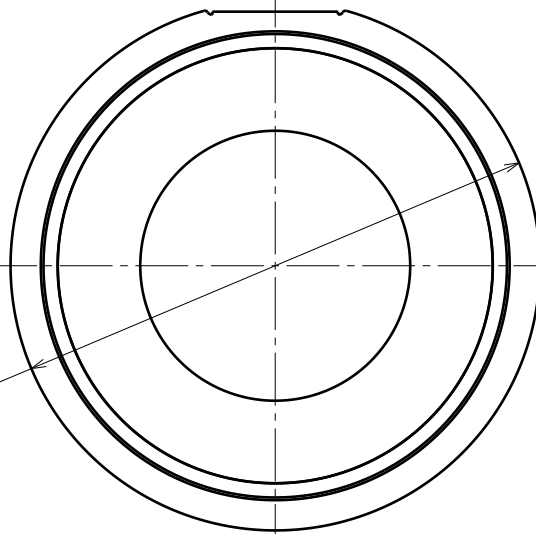
Ø 6.8

Ø 30.5



Side view

16.4



Top view

Ø 35

Tolerances if not otherwise shown:
 According to DIN ISO 2768-1
 Linear measures:
 Up to 30mm class M, otherwise class C.

According to DIN ISO 2768-2
 Form and position:
 class L

Raw material(s):
 PMMA 8N

This drawing is our property.
 It can't be reproduced
 or communicated without
 our written agreement.



Ledil Oy
 Salorankatu 10
 24100 SALO
 Finland

DRAWING TITLE

Datasheet Eva Spot Lens

DRAWN BY
ah

DATE
1.3.2013

CHECKED BY

DATE

SIZE
A4

DRAWING NUMBER

C12041

REV
1

DESIGNED BY
HH

DATE
26.08.2008

SCALE

2:1

WEIGHT (g)

SHEET

1/1

D

A

4

3

2

1

1