

PART NAME: KNOB SCALE: 1:1 DATE: 8/16/96 DR. BY HD

THIS DRAWING IS THE PROPERTY OF DAVIES MOLDING COMPANY, IS SUBMITTED SOLELY AS A DESIGN OR ENGINEERING PROJECT. WE ACCEPT NO RESPONSIBILITY WHATSOEVER FOR THE PRACTICAL APPLICATION OF THE PIECES MADE TO THIS DESIGN.

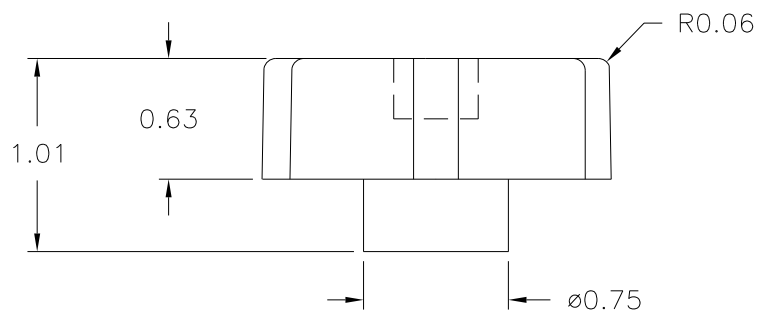
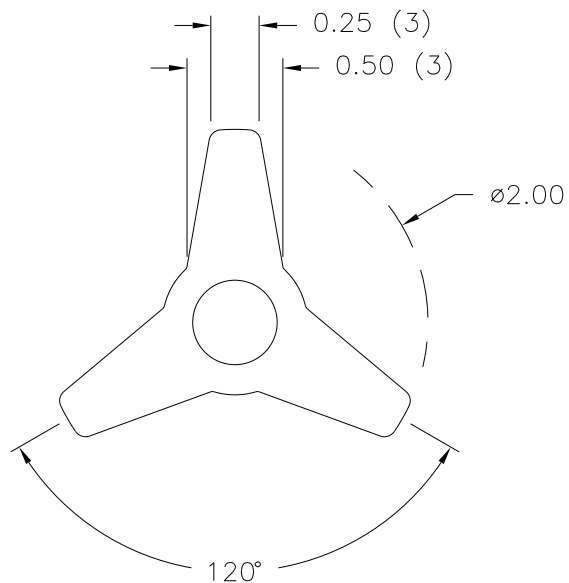


DESIGNERS & MANUFACTURERS OF KNOBS, HANDLES, CASES & CUSTOM PLASTIC COMPONENTS

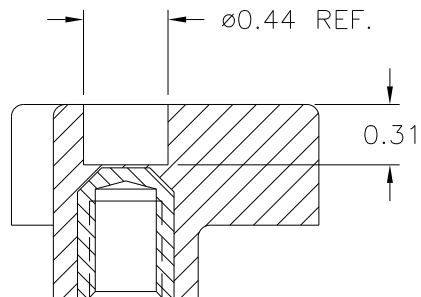
P/N 3040JM

BASE PART 3040-04

(B)

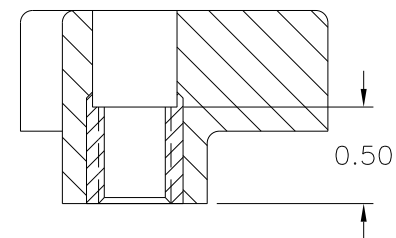


AS MOLDED



(A)

DRILL THRU TO THREADS WITH 7/16 DRILL. IN FINISHING DEPARTMENT



3/8-16 UNC-2B THREADED I0212, H.H. BRASS

MATERIAL: G.P. PHENOLIC (B11)
COLOR: BLACK

TOLERANCES: UNLESS OTHERWISE SPECIFIED	DO NOT SCALE DRAWING	B	ADDED BASE PART	JAM	4/8/14
		A	REMOVED .412	RF	11/19/04
DECIMALS: X.XXX ± .005 X.XX ± .015	MM: X.XX ± 0.15MM X.X ± 0.4MM	-	RE-DID REDRAW	TL	11/16/99
		-	CAD REDRAW	HD	1/6/94
FRACTIONS ± 1/64	ANG. ± 1°	CHANGES			