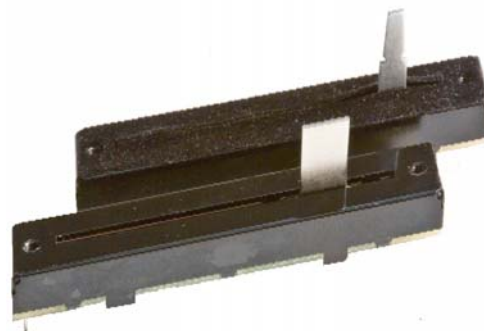


Model PSxxG
 Slide Potentiometer
 With/Without Dust Cover
 Stable Sliding Force
 200,000 Cycle Life
 Metal Lever
 RoHS Compliant



MODEL STYLE

Dual Gang , 45mm Travel	PS45G
Dual Gang , 60mm Travel	PS60G

ELECTRICAL¹

Resistance Range, Ohms	10K -1M
Standard Resistance Tolerance	± 20%
Resistance Tapers	A,B,C
Residual Resistance	Less than 1.0 ohms
Input Voltage, Maximum	300Vdc
Power rating, Watts	Linear B taper: 0.25W Other tapers: 0.125W
Dielectric Strength	300Vac, 1 minute
Insulation Resistance, Minimum	10M ohms at 250Vdc/ 1 minute
Sliding Noise	Less than 100mV
Gang Error	±3dB (-40dB to 0dB)

MECHANICAL

Static Stop Strength, Minimum	5.0 Kg/cm
Operating Force	50gf max.

DURABILITY

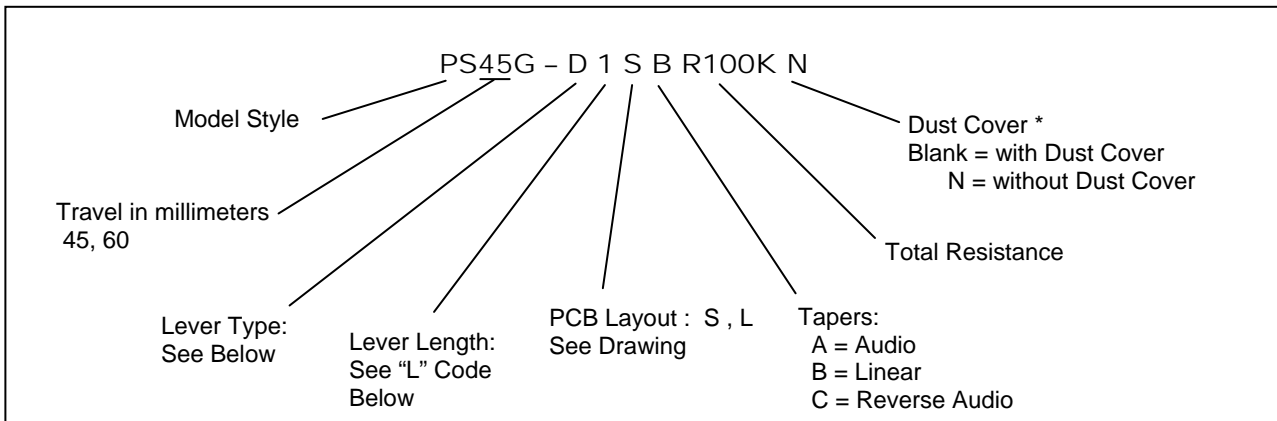
Sliding Life	200,000 cycles
--------------	----------------

¹ Specifications subject to change without notice.

Model PSxxG

ORDERING INFORMATION²

Model PSxxG



STANDARD RESISTANCE VALUES, OHMS

10K	20K	50K	100K	200K	500K	1 MEG
-----	-----	-----	------	------	------	-------

Lever Types & Length

D-Type					B-Type				C-Type		A-Type					
L	12.5	15	17	20	25	L	8	12.5	13	20	F	10	M	11	12	12
CODE	1	2	3	4	5	CODE	1	2	3	4	L	15	F	11	10	10
											CODE	1	L	16	20	25
													CODE	1	2	3

* Dust Cover option not offered for levers less than 10 mm in length

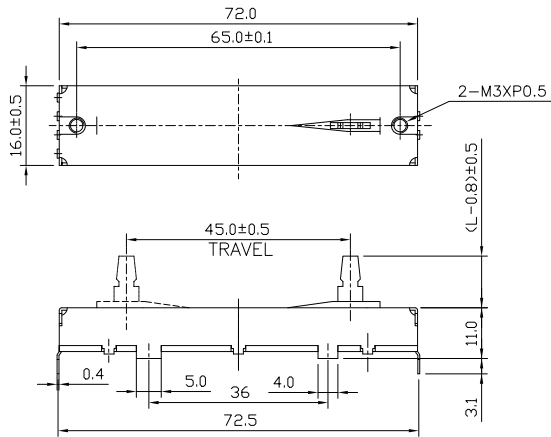
² Contact our customer service for custom designs and features.

Model PSxxG

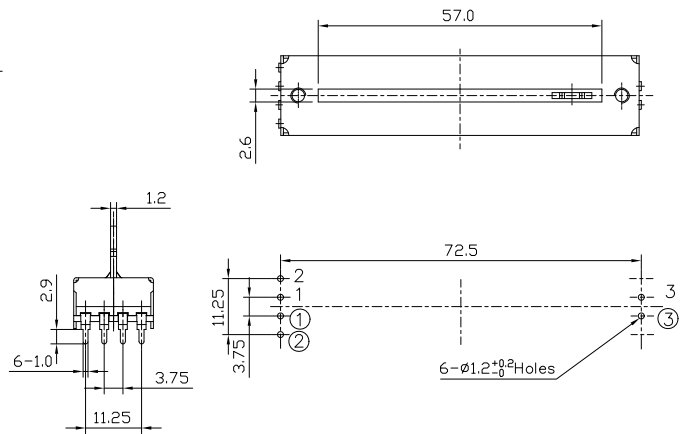
OUTLINE DRAWING

PS45G with L type PCB LAYOUT

With Dust Cover

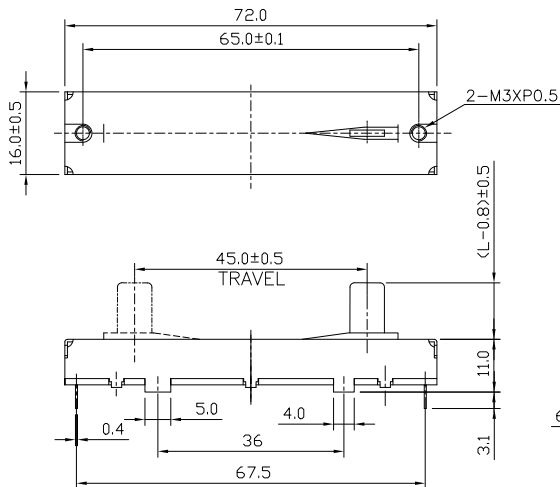


Without Dust Cover

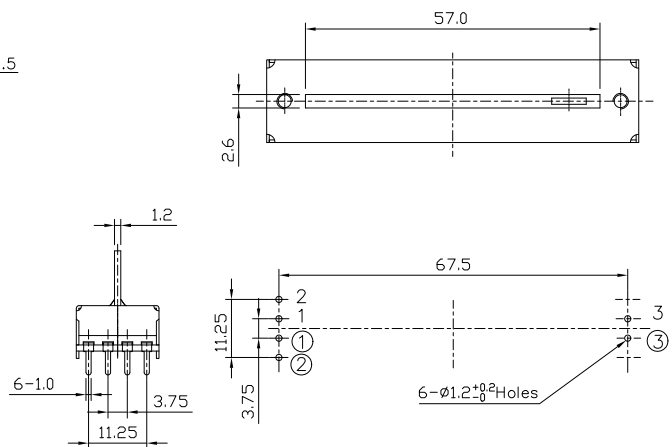


PS45G with S type PCS LAYOUT

With Dust Cover



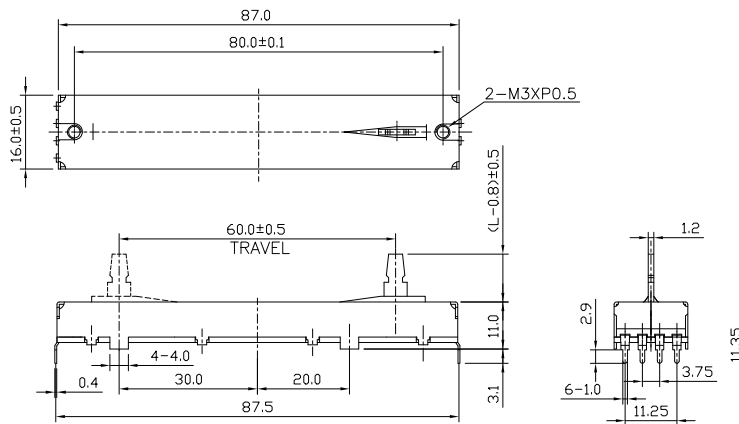
Without Dust Cover



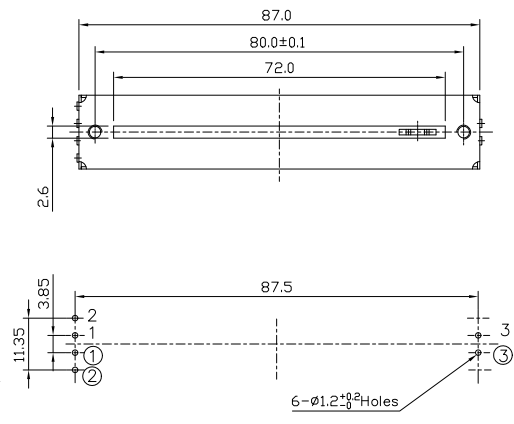
Model PSxxG

PS60G with L type PCB LAYOUT

With Dust Cover

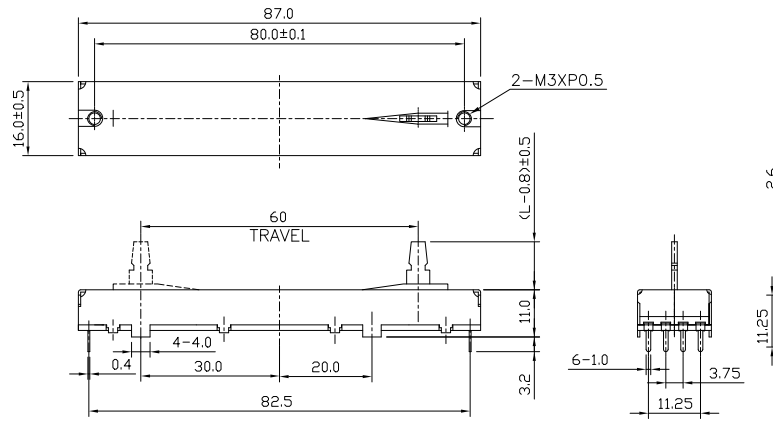


Without Dust Cover

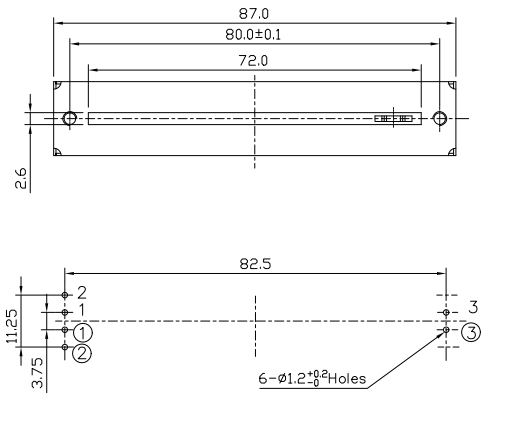


PS60G with S type PCB LAYOUT

With Dust Cover

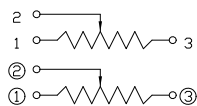


Without Dust Cover



CIRCUIT DIAGRAM

PSxxG Dual Gang



BI Technologies Corporation
4200 Bonita Place, Fullerton, CA 92835 USA

Phone: 714 447 2345 Website: www.bitechnologies.com

December 7, 2009

page 4 of 4

