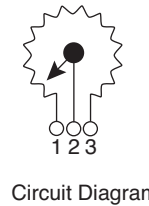
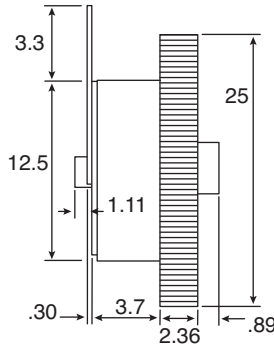
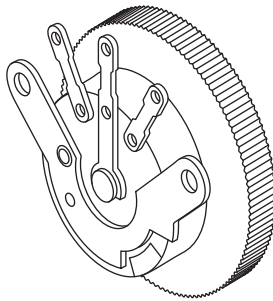
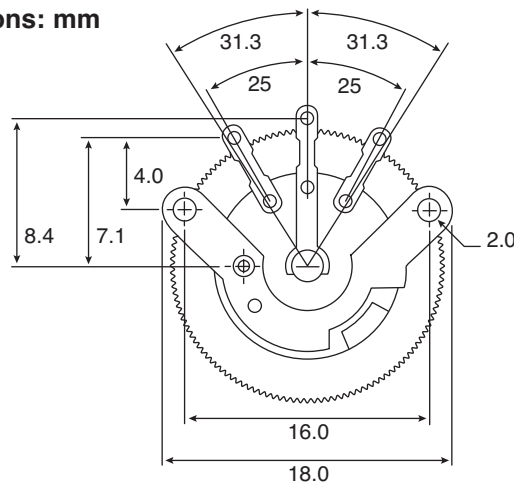
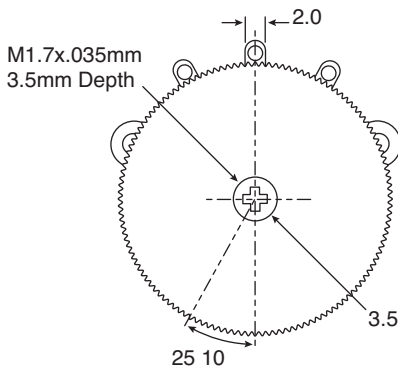




12mm Thumbwheel Potentiometers
RV121F-10-009J-XXX-00K



Dimensions: mm



Specifications:

- Type: Thumbwheel w/ solder lugs
- Rotation Angle: $230^\circ \pm 5^\circ$
- Rotation Torque: 20~200gf. cm
- Rated Wattage: Linear-0.08
Audio-0.04
- Max. Working Voltage: Linear-150
Audio-100
- Stop Strength: >2Kgf. cm/min
- Resistance Tolerance: $\pm 20\%$
- Rotations Life: 15,000 cycles
- RoHS Compliant

Tol. Unless Otherwise Stated		
Less Than	10	± 0.3
Above	10-30	± 0.5
Above	30~100	± 1.0
Above	- - -	$\pm 5^\circ$

XXX	Value	Taper
RV121F-10-009J-A13-00K	1K	Audio
RV121F-10-009J-A53-00K	5K	Audio
RV121F-10-009J-A14-00K	10K	Audio
RV121F-10-009J-A54-00K	50K	Audio
RV121F-10-009J-A15-00K	100K	Audio
RV121F-10-009J-A55-00K	500K	Audio
RV121F-10-009J-B13-00K	1K	Linear
RV121F-10-009J-B53-00K	5K	Linear
RV121F-10-009J-B14-00K	10K	Linear
RV121F-10-009J-B54-00K	50K	Linear
RV121F-10-009J-B15-00K	100K	Linear
RV121F-10-009J-B55-00K	500K	Linear