

PRODUCT DATA DRAWING

REVISION HISTORY			
REV	DESCRIPTION	DATE	APPROVED
-	REL. DCN 32957	04/05	STW

MATERIAL

BODY,
HEX NUT &
LOCKWASHER:

STAINLESS STEEL PER AMS-5640,
ALLOY UNS S30300, TYPE I

CONTACT:

BERYLLIUM COPPER PER ASTM B196,
ALLOY UNS C17300, TD04

INSULATOR:

PTFE PER ASTM D1710, TYPE I, GRADE 1, CLASS B

O'RING:

FLUOROSILICONE 60(DUROMETER)
PER MIL-P-25988, CLASS 1, TYPE I

FINISH

BODY,
HEX NUT &
LOCKWAHSEK:

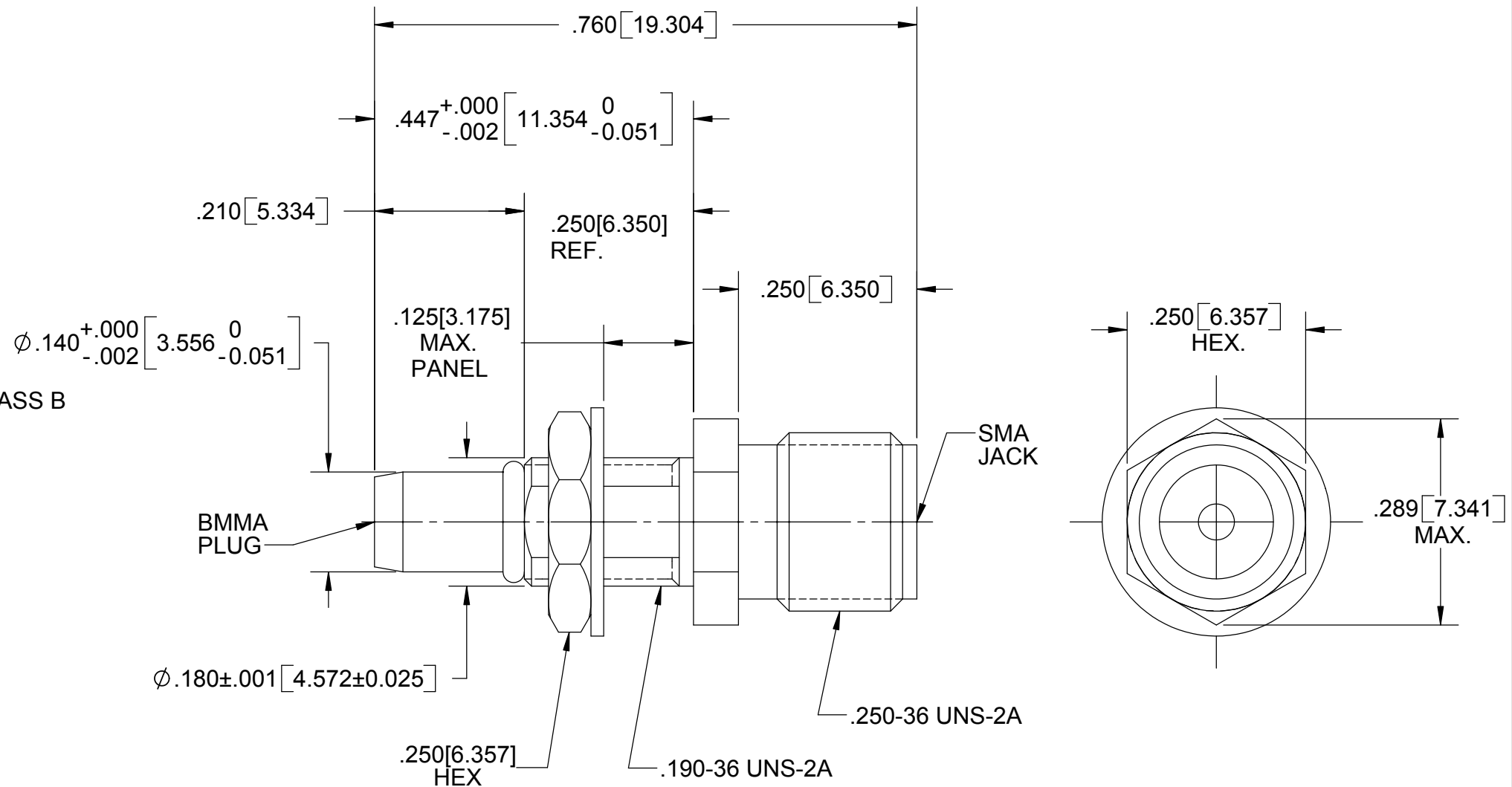
PASSIVATED PER AMS-QQ-P-35, TYPE II

CONTACT:

GOLD PER ASTM B 488, TYPE II,
CODE C, CLASS .76; OVER NICKEL
PER AMS-QQ-N-290, CLASS 1, .000050" MIN.

PERFORMANCE

IMPEDANCE: 50 OHMS
 FREQ. RANGE: DC TO 18.0 GHz
 VSWR: 1.05+.01f(GHz) DC TO 18.0 GHz
 OPERATING TEMP.: -65°C TO +125°C
 ENGAGEMENT: 3 IN-LBS
 DISENGAGEMENT: 1.5 IN-LBS.
 D.W.V.: 675 VRMS
 INS. RES.: 5000 MEGOHMS



$\phi .182^{+.002}_{-.000}$ [4.623^{+0.051}₀]
RECOMMENDED
MOUNTING HOLE

MATERIAL: SEE NOTES	DIMENSIONS ARE IN INCHES TOLERANCES: FRACTIONAL: $\pm 1/64$ ANGULAR: X° $\pm 1'0''$ X'X' $\pm 15'$	UNLESS OTHERWISE SPECIFIED 1) ALL DIMENSIONS ARE IN INCHES[MILLIMETERS] 2) ALL DIMENSIONS ARE AFTER PLATING. 3) BREAK CORNERS & EDGES .005 R. MAX. 4) CHAM. 1ST & LAST THREADS. 5) SURFACE ROUGHNESS 63 - MIL-STD-10. 6) DIA.'S ON COMMON CENTERS TO BE CONCENTRIC WITHIN T.I.R. 7) REMOVE ALL BURRS	SV Microwave, Inc. 2400 Centrepark West Drive, Suite 100 West Palm Beach, FL 33409
FINISH: SEE NOTES	DECIMAL: .X $\pm .030$.XX $\pm .010$.XXX $\pm .005$	INTERPRET DIMENSIONS AND TOLERANCES PER ASME Y14.5M - 1994	TITLE: BMMA PLUG TO SMA JACK ADAPTER
SURFACE AREA: N/A	THIRD ANGLE PROJECTION	DRAWN: MGT 04/18/05	SIZE: B CAGE CODE: 95077 DWG. NO.: SF1114-6008
PROPRIETARY THE INFORMATION CONTAINED IN THIS DRAWING IS THE SOLE PROPERTY OF SV MICROWAVE, INC. ANY REPRODUCTION IN PART OR AS A WHOLE WITHOUT THE WRITTEN PERMISSION OF SV MICROWAVE, INC IS PROHIBITED.		CHECKED: STW 04/18/05	SCALE: 5:1
		APPROVED: STW 04/18/05	SHEET 1 OF 1