

High Uniformity TIR Lenses for LZP Emitter Family

**LLNF-4T11-H**

**LLFL-6T11-H**

**LLWF-6T11-H**



## Key Features

- Total Internal Reflection (TIR) optics provides a well-controlled beam
- Designed specifically for LED Engin LZP emitter family
- Provides excellent color uniformity and quantity of light in a beam
- Smooth light gradient eliminates hot spots and rings and minimizes glare for superior illumination
- UL-rated optical grade PMMA lens material allows use of high current and temperature conditions
- Lenses are available standard with holder that mount easily onto LuxiGen LZP MCPCBs
- Simple fastening of holder to MCPCB with appropriate adhesive, e.g. epoxy or polyurethane based

## Typical Applications

- Down lighting
- Architectural lighting
- Entertainment
- Stage and Studio lighting
- Accent lighting

## Description

This lens family couples with the compact, high-flux density LZP LuxiGen emitter family providing a range of beam options and opening up new applications in down lighting, architectural and stage and studio. The TIR lens collimates the LED light into efficient, well-controlled light beams that maximize the usable lumens in the target area. Not only does this lighting solution provide the throw or distance required for these lighting applications, it does so with a smooth, high quality beam of superior intensity uniformity, color over angle mixing, and with an absence of discomfort glare or shadows. With its performance and small footprint, the LZP emitter-lens combination offers a compact replacement solution for 35W Metal Halide lamps.

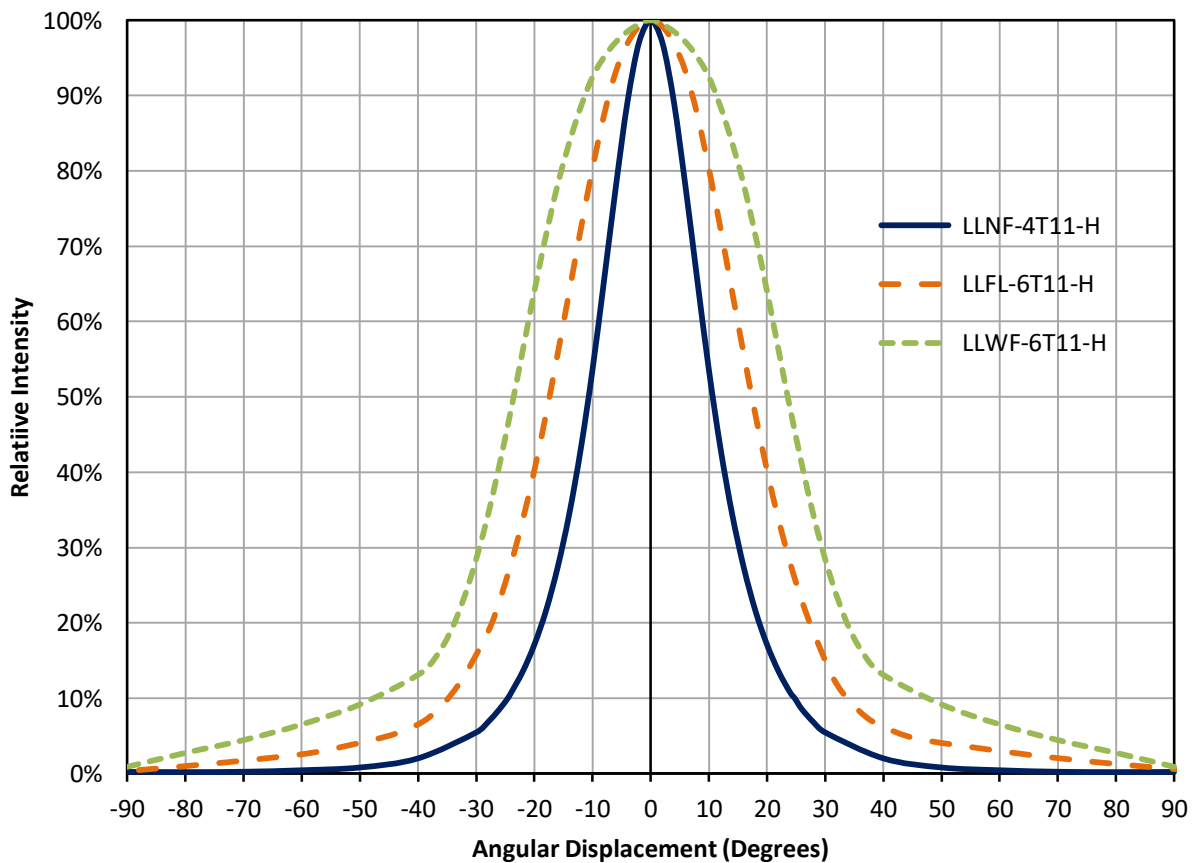
## Optical Specification

| Part number <sup>1</sup> | Beam angle <sup>2</sup> | Field angle <sup>3</sup> | Optical efficiency <sup>4</sup> | On-axis intensity <sup>5</sup> |
|--------------------------|-------------------------|--------------------------|---------------------------------|--------------------------------|
|                          | degrees                 | degrees                  | %                               | cd/lm                          |
| LLNF-4T11-H              | 21                      | 49                       | 80                              | 2.8                            |
| LLFL-6T11-H              | 35                      | 69                       | 80                              | 1.5                            |
| LLWF-6T11-H              | 47                      | 96                       | 75                              | 1.0                            |

Notes:

1. Lenses can also be ordered without the holder. Replace -H with -O for this option.
2. Beam angle is defined as the full width at 50% of the max intensity (FWHM).
3. Field angle is defined as the full width at 10% of the max intensity.
4. Optical efficiency is defined as the ratio between the incoming flux and the outgoing flux.
5. On-axis intensity is defined as the ratio between the total input lumen and the intensity in the optical center of the lens.

## Typical Relative Intensity over Angle



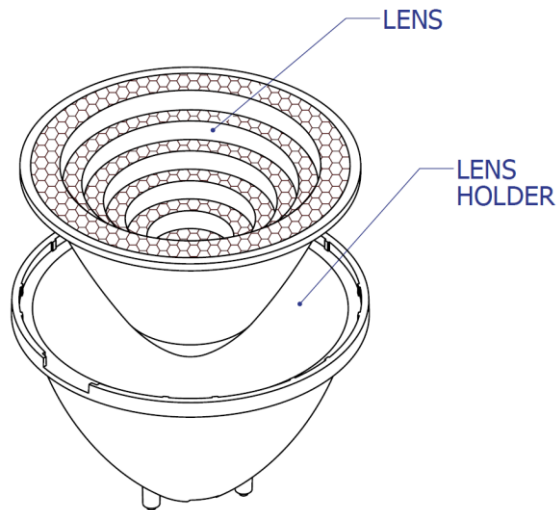
## General Characteristics

|                                  | Symbol           | Value         | Rating   | Unit |
|----------------------------------|------------------|---------------|----------|------|
| <b>Mechanical</b>                |                  |               |          |      |
| Height from Seating Plane        |                  | 52.2          | Typical  | mm   |
| Diameter                         |                  | 84.0          | Typical  | mm   |
| <b>Material</b>                  |                  |               |          |      |
| Lens                             |                  | PMMA          |          |      |
| Holder                           |                  | Polycarbonate |          |      |
| <b>Optical</b>                   |                  |               |          |      |
| Transmission <sup>1</sup> (>90%) | $\lambda$        | 410-1100      | Min-Max. | nm   |
| <b>Environmental</b>             |                  |               |          |      |
| Storage Temperature              | T <sub>stg</sub> | -40 ~ +110    | Min-Max. | °C   |
| Operating Temperature            | T <sub>sol</sub> | -40 ~ +110    | Min-Max. | °C   |

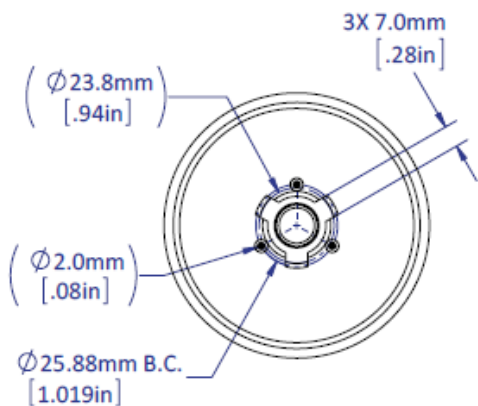
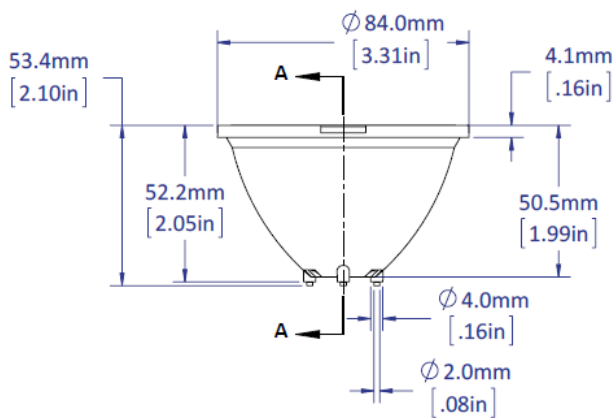
Notes:

1. It is not recommended to use a UV emitter with this lens due to lower transmission at wavelengths < 410nm.

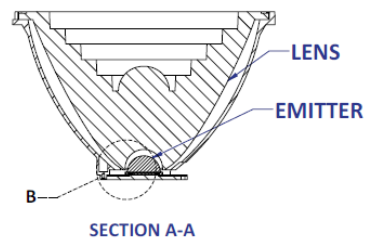
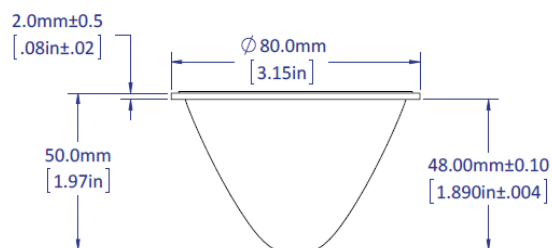
## Mechanical dimensions



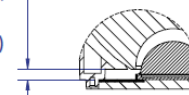
### Lens with holder



### Lens only



1.66mm±0.25  
[.065in±.010]  
(GAP BETWEEN BOTTOM  
OF LENS AND BOTTOM  
OF EMITTER SUBSTRATE)



DETAIL B  
SCALE 2 : 1

## Assembly Instruction

Lens holders can be assembled to the PCB using an epoxy or polyurethane-based adhesive (example: Dow Corning 3145 RTV).

Cyanoacrylate (superglue) adhesive should not be used to avoid contamination of the lens (blooming of the epoxy).

When integrating the lens into a fixture without the lens holder, special attention is needed to maintain the distance between the lens bottom and the emitter top. Variation in this distance will result in variation of the beam profile. See mechanical detail B. on previous page.

## Lens Cleaning

Use a lint-free soft cloth to dust off the lens. For deeper cleaning a solution of neutral detergent (example: dishwashing soap) can be used. Do not use any solvents or abrasive liquid/fabric.

## About LED Engin

LED Engin, an OSRAM business based in California's Silicon Valley, develops, manufactures, and sells advanced LED emitters, optics and light engines to create uncompromised lighting experiences for a wide range of entertainment, architectural, general lighting and specialty applications. LuxiGen™ multi-die emitter and secondary lens combinations reliably deliver industry-leading flux density, upwards of 5000 quality lumens to a target, in a wide spectrum of colors including whites, tunable whites, multi-color and UV LEDs in a unique patented compact ceramic package. Our LuxiTune™ series of tunable white lighting modules leverage our LuxiGen emitters and lenses to deliver quality, control, freedom and high density tunable white light solutions for a broad range of new recessed and downlighting applications. The small size, yet remarkably powerful beam output and superior in-source color mixing, allows for a previously unobtainable freedom of design wherever high-flux density, directional light is required. LED Engin is committed to providing products that conserve natural resources and reduce greenhouse emissions; and reserves the right to make changes to improve performance without notice.

For more information, please contact [sales@ledengin.com](mailto:sales@ledengin.com) or +1 408 922-7200.