

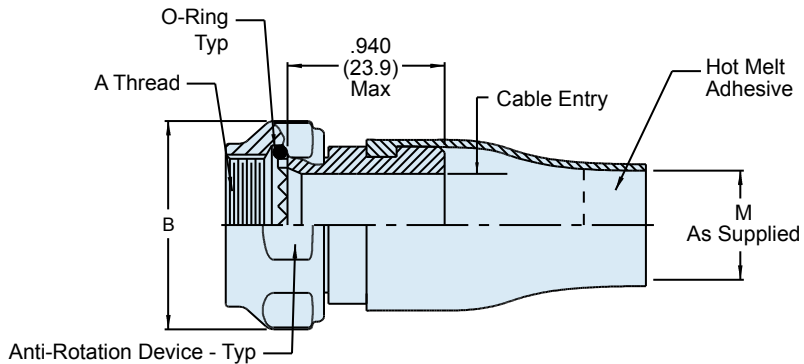
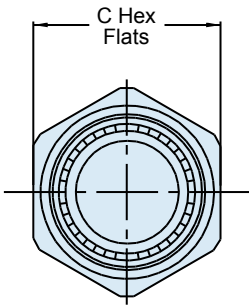
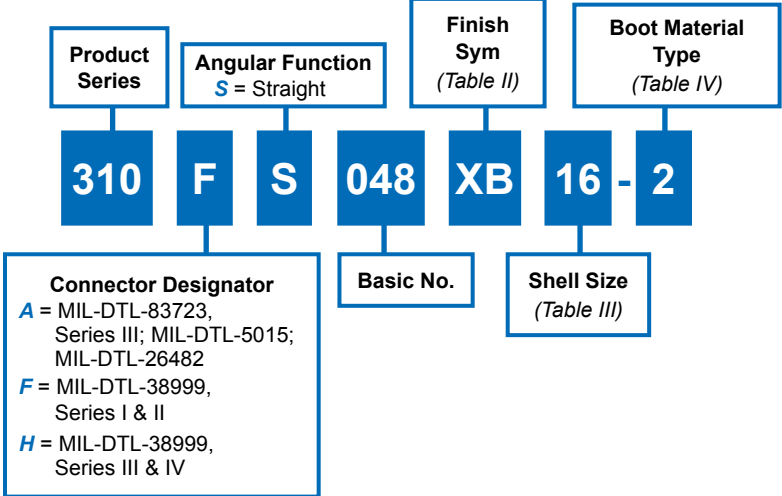


310-048 Environmental Piggyback Boot Adapter, Composite For MIL-DTL-38999 Series I, II, III, and IV and MIL-DTL-5015

Fast and Easy Installation of Environmental Shrink-Boots



How To Order



Material and Finish

Adapter: High Temperature Engineering Thermoplastic (natural)/Table II
 Coupling Nut, Sleeve, Anti-Decoupling Device: High Temperature Engineering Thermoplastic (black)/N.A.
 O-Ring: Silicone/N.A.
 Shrink Boot: Elastomeric/N.A.

Notes

See Table I on page 3 for front-end dimensional details.
 Assembly identified with manufacturer's name and part number, space permitting.
 Glenair 600-091 or 600-157 Series Backshell Assembly Tools are recommended for assembly and installation.
 O-Ring supplied with Connector Designator F & H only.
 O-Ring not supplied with Connector Designator A.

Dimensions in Inches (millimeters) are subject to change without notice.

310-048

Environmental Piggyback Boot Adapter, Composite

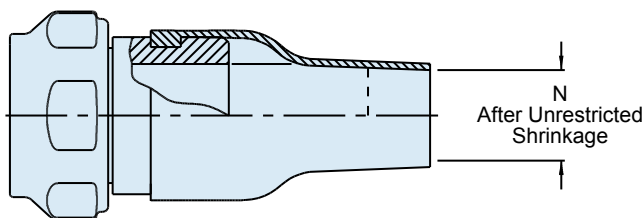
For MIL-DTL-38999 Series I, II, III, and IV and MIL-DTL-5015



Connector Designator A			Connector Designator F			Connector Designator H			Ø B Ref.
Dash No.	Shell Size Ref.	A Thread Class 2B	Dash No.	Shell Size Ref.	A Thread Class 2B	Dash No.	Shell Size Ref.	A Thread ISO Metric	
08	08	1/2-20 UNF	08	08	7/16-28 UNEF	09	A	M12 X 1.0-6H	.812 (20.6)
10	10	5/8-24 UNEF	10	12	9/16-24 UNEF	11	B	M15 X 1.0-6H	.938 (23.8)
12	12	3/4-20 UNEF	12	12	11/16-24 UNEF	13	C	M18 X 1.0-6H	1.125 (28.6)
14	14	7/8-20 UNEF	14	14	13/16-20 UNEF	15	D	M22 X 1.0-6H	1.250 (31.8)
16	16	1-20 UNEF	16	16	15/16-20 UNEF	17	E	M25 X 1.0-6H	1.375 (34.9)
18	18	1 1/16-18 UNEF	18	18	1 1/16-18 UNEF	19	F	M28 X 1.0-6H	1.500 (38.1)
20	20	1 3/16-18 UNEF	20	20	1 3/16-18 UNEF	21	G	M31 X 1.0-6H	1.625 (41.3)
22	22	1 5/16-18 UNEF	22	22	1 5/16-18 UNEF	23	H	M34 X 1.0-6H	1.750 (44.5)
24	24	1 7/16-18 UNEF	24	24	1 7/16-18 UNEF	25	J	M37 X 1.0-6H	1.875 (47.6)

Dash No.	C Flats		Ø G	M Min	N Max
	Max	Min			
08	.750 (19.1)	.736 (18.7)	.140 (3.60)	.250 (6.40)	.197 (5.00)
10	.875 (22.2)	.860 (21.8)	.270 (6.90)	.355 (9.00)	.197 (5.00)
12	1.000 (25.4)	.980 (24.9)	.390 (9.90)	.491 (12.5)	.236 (6.00)
14	1.125 (28.6)	1.100 (27.9)	.512 (13.0)	.565 (17.5)	.236 (6.00)
16	1.250 (31.8)	1.224 (31.1)	.637 (16.2)	.690 (19.5)	.276 (7.01)
18	1.375 (34.9)	1.348 (34.2)	.757 (19.2)	.769 (21.4)	.335 (8.51)
20	1.500 (38.1)	1.469 (37.3)	.881 (22.4)	.894 (22.7)	.394 (10.0)
22	1.625 (41.3)	1.581 (40.2)	1.006 (25.6)	1.019 (25.9)	.394 (10.0)
24	1.750 (44.5)	1.690 (42.9)	1.131 (28.7)	1.134 (28.8)	.591 (15.0)

Sym	Finish Description
XB	Black, Unplated



Attribute	Type 1 High-Performance Semi-Rigid Elastomer	Type 2 Zero-Halogen Semi-Rigid Polyolefin	Type 3 General Purpose Flexible Polyolefin
Continuous Operating Temp.	-75° to +150° c	-30° to +135° c	-55° to +135° c
Resistance To Fuels, Oils	Excellent	Very Good	Good
Low Toxicity, Zero Halogen	No	Yes	No

Dimensions in Inches (millimeters) are subject to change without notice.