

A

B

C

D

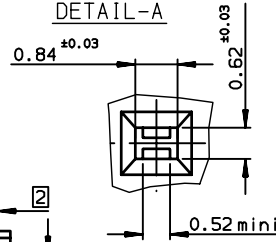
A

B

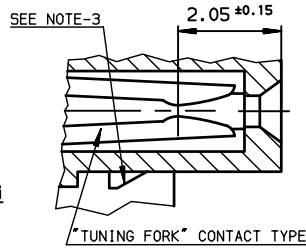
C

D

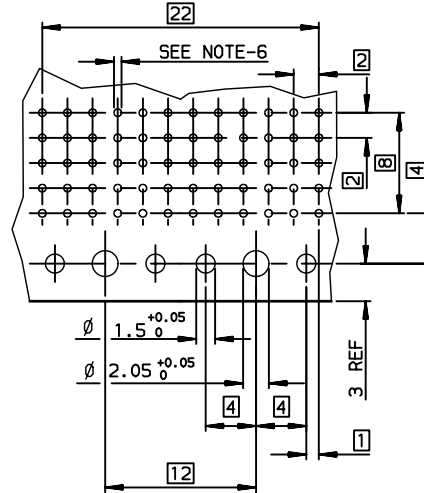
DETAIL-A



SECTION-FF

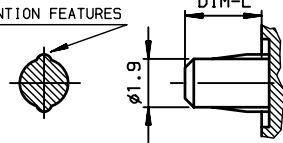


LAYOUT FOR P.C.B



DETAIL OF PRESS-IN PEGS

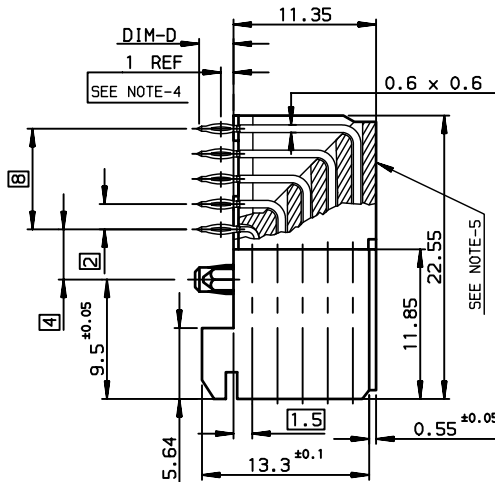
RETENTION FEATURES



DIM-D

1 REF

SEE NOTE-4



GENERAL CHARACTERISTICS AND ROHS INFORMATIONS:

SEE GS-12-447

- NOTE-1: PRESS-IN RETENTION PEG
- NOTE-2: CONNECTORS WITH PCB-2.4mm ARE COMPATIBLE WITH WIDE AND NARROW BODIES
- NOTE-3: PLUG FOR CODING KEY FIXING
- NOTE-4: EYE OF THE NEEDLE PRESS-FIT CTS TYPE
- NOTE-5: FLAT ROCK INSERTION TOOLING IN PCB, SEE DRW REF:C-8626-1003
- NOTE-6: METALIZED HOLE DEFINITION,SEE GS-12-447
- NOTE-7: IF SUFFIX "P" IS ADDED IN P/N, PACKAGING IS IN TRAYS, BUT CONNECTOR MARKING IS WITHOUT "P"
Example : HM1FxxxxxxxH6PLF, marking:HM1FxxxxxxxH6LF

European Views

TIN LEAD Part Number: HM1F52FDP000H6		
LEAD FREE Part Number: HM1F52FDP000H6LF		
TERMINATION TYPE	D = 2.90 ±0.3	L = 3 ±0.05

REDUCED SCALE SHEET

rev	ecn no	dr	date
D	-	CHA	1999/04/14
E	LS05-004	MLE	2005/02/17
F	LS06-0095	LGO	2006/07/03
G	LS06-0159	MLE	2006/10/23
H	LS07-0266	MLE	2007/11/06
-	-	-	-
-	-	-	-

www.fciconnect.com		surface ISO 1302 ✓	tolerance std ISO 406 ISO 1101	projection mm
TOLERANCES UNLESS OTHERWISE SPECIFIED				
Dr	CHAMPION	1991/09/25	ANGULAR	LINEAR
Eng	LENOIR	1991/09/25	0.X	±0.1
Chr	LEGARE	1991/09/25	0.XX	±0.1
Appr	LEGARE	1991/09/25	0.XXX	±0.1
Product family			METRAL	Spec ref -
title METRAL FEMALE 5 ROWS 60 CTS		dwg no C-8626-0073		Rev. H
catalog no		CUSTOMER		sheet 1 of 1