

## Quick Reference

# BRKTSTBC-A8451

Sensor Toolbox Breakout Board for the  
MMA8451Q 3-Axis Digital Accelerometer

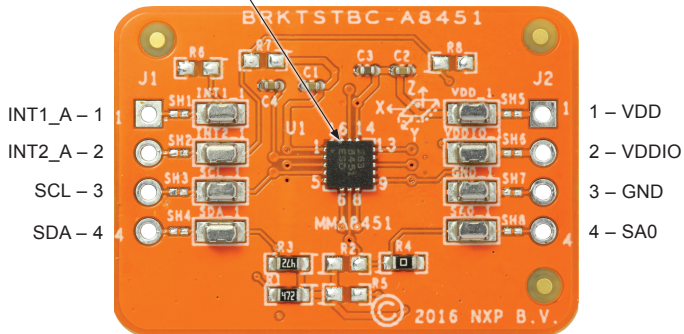
SENSOR TOOLBOX BREAKOUT BOARD



## Quick Reference

### GET TO KNOW THE BRKTSTBC-A8451

MMA8451Q 3-axis digital accelerometer  
16 QFN (3 mm x 3 mm x 1 mm)



## HOW TO GET STARTED

Find additional information in the breakout board section of

[nxp.com/sensortoolbox](http://nxp.com/sensortoolbox)

- Schematics
- Layout design
- Documentation

The FRDMSTBC-A8451 extends this breakout board with broad demo and development capabilities.

- Software development platform
- Graphical tools

[www.nxp.com](http://www.nxp.com)

NXP and the NXP logo are trademarks of NXP B.V. All other product or service names are the property of their respective owners. © 2016 NXP B.V.

Document Number: BRKTSTBC-A8451\_QRC REV 0

Agile Number: 920-29412 REV A

