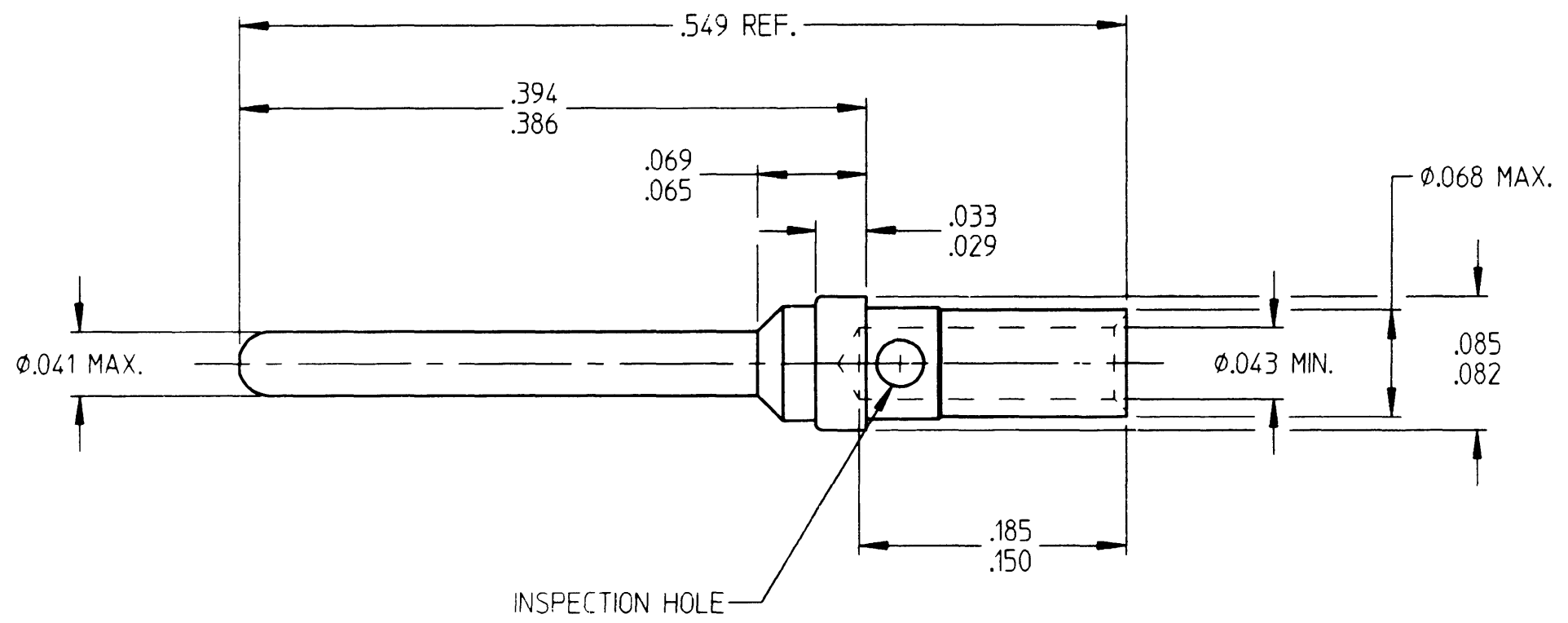


| A | 2560-202-2090 | REVISIONS | | | |
|---|---------------|-----------|------------------------|--------|----------|
| | | REV | DESCRIPTION | DATE | APPROVED |
| | | A | REVISED PER E.O. C1363 | 9-3-93 | <i>B</i> |



- NOTE:
1. DIMENSIONS ARE IN INCHES UNLESS OTHERWISE SPECIFIED.
 2. MATERIAL COPPER ALLOY.
 3. FINISH DEUTSCHCOAT V.
 4. CRIMP TOOL DANIELS AFM8.
POSITIONER DANIELS K13-1.
RECOMMENDED STRIP LENGTH 5/32 TO 3/16.

| SIGNATURE & DATE | |
|------------------|-------------------------|
| DR | R. GROSS 7-27-93 |
| CHK | Jo POWELL 8-2-93 |
| PE | <i>R. Gross</i> 7-27-93 |
| APPD | |
| SCALE | WT |

CONTACT, PIN
 CRIMP TYPE
 REAR RELEASE
 SIZE 20
 ENVELOPE

| | |
|---|-------------------------|
| CP | MATL CODE |
| DEUTSCH ENGINEERED CONNECTING DEVICES Municipal Airport Banning, California | |
| B | 2560-202-2090 |
| DWG SIZE | CODE 11139 SHEET 1 OF 1 |

2560-202-2090_env_A