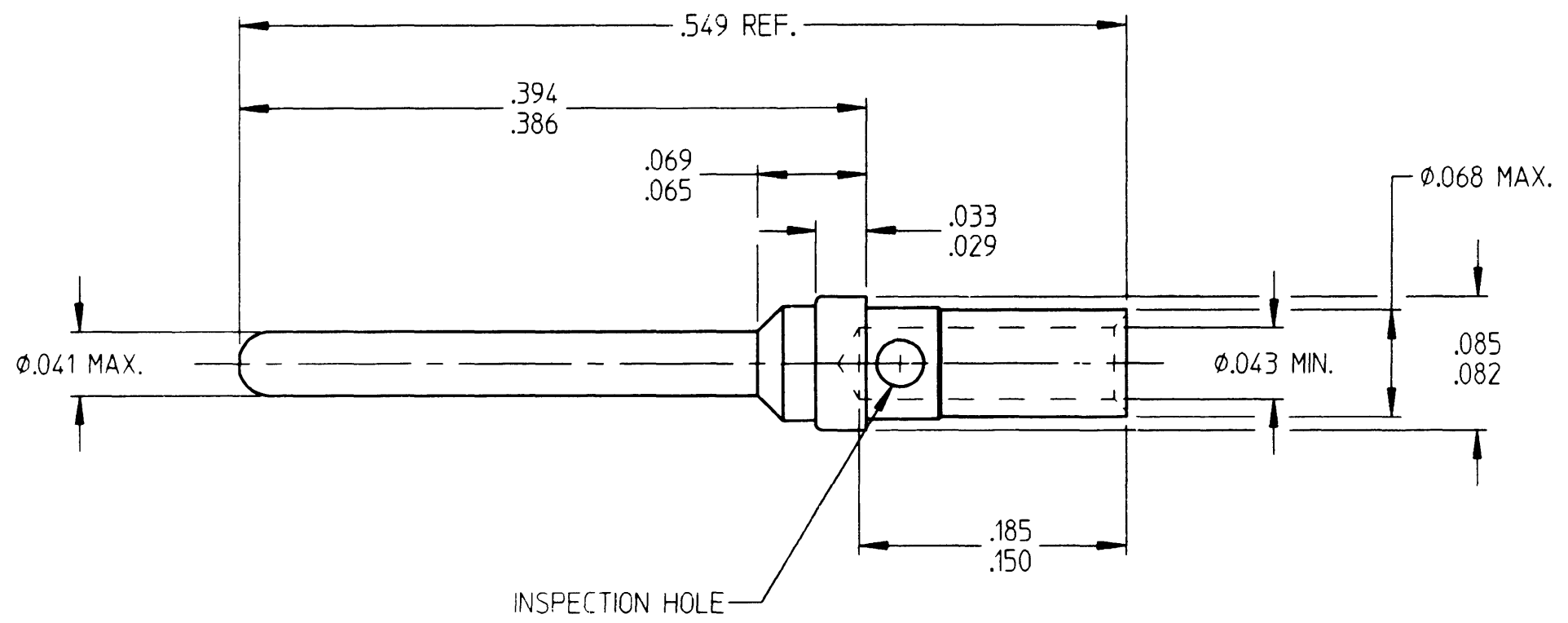


A	2560-202-2090	REVISIONS			
		REV	DESCRIPTION	DATE	APPROVED
		A	REVISED PER E.O. C1363	9-3-93	B



- NOTE:
1. DIMENSIONS ARE IN INCHES UNLESS OTHERWISE SPECIFIED.
  2. MATERIAL COPPER ALLOY.
  3. FINISH DEUTSCHCOAT V.
  4. CRIMP TOOL DANIELS AFM8.  
POSITIONER DANIELS K13-1.  
RECOMMENDED STRIP LENGTH 5/32 TO 3/16.

SIGNATURE & DATE	
DR	R. GROSS 7-27-93
CHK	Jo POWELL 8-2-93
PE	R. Gross 7-27-93
APPD	
SCALE	WT

CONTACT, PIN  
CRIMP TYPE  
REAR RELEASE  
SIZE 20  
ENVELOPE

CP	MATL CODE
<b>DEUTSCH</b> ENGINEERED CONNECTING DEVICES Municipal Airport Banning, California	
<b>B</b>	2560-202-2090
DWG SIZE	CODE 11139 SHEET 1 OF 1

2560-202-2090\_env\_A