

# Montana ISM Antenna

Part No. SRF2I019

flexiiANT®

Product Specification

## 1. Features

- Antenna for ISM bands (863 – 870MHz and 902 - 928MHz)
- Maintains high performance within device: DFI (Designed For Integration)
- 1.13mm diameter RF cable with IPEX MHF connector
- Self-Adhesive mounted
- Quick integration minimizes design cycle
- High performance
- Available 3 standard cable lengths

## 2. Description

Montana is intended for use with ISM applications. A flexible antenna with cable enables direct connection to the host PCB. Simple integration with plug and play simplicity. This product specification shows the performance of the antenna to cover a typical dual band ISM from 863 – 928MHz.

## 3. Applications

- Remote Sensors
- Smart meters
- Medical devices
- Monitoring equipment
- Automotive devices



## 4. Part Number

### Montana: SRF2I019-**xxx**



Note. -xxx refers to cable length option:

Part Number	Cable Length
SRF2I019-100	100mm
SRF2I019-150	150mm
SRF2I019-200	200mm

## 5. General Data

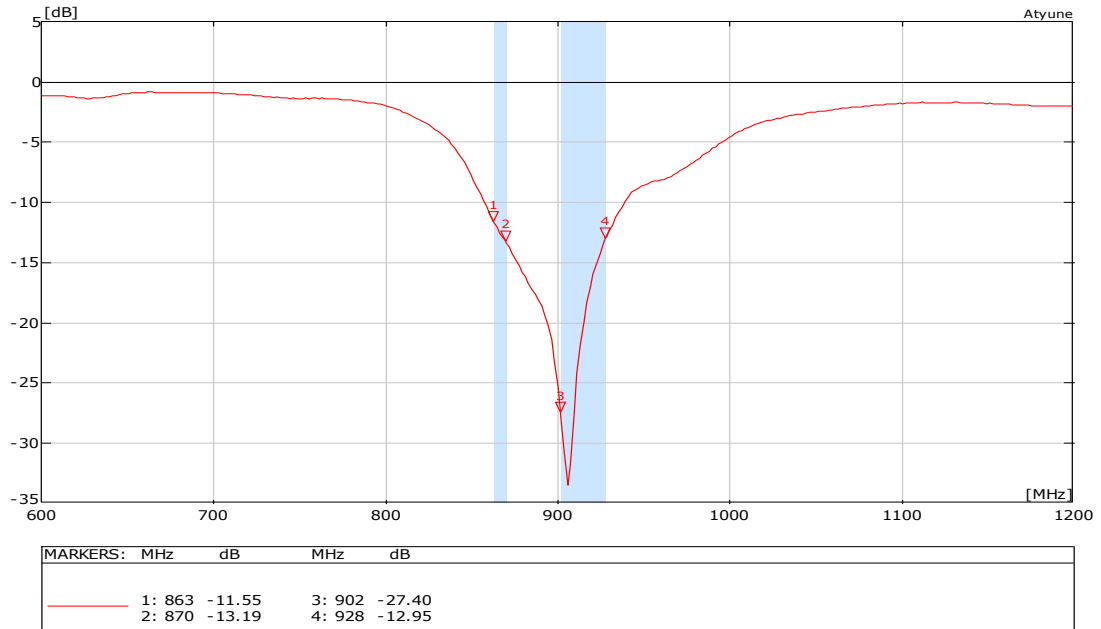
Product name	Montana
Part Number	SRF2I019
Frequency	863-928MHz
Polarization	Linear
Operating temperature	-40°C to +85°C
Impedance with matching	50 Ω
Weight	< 0.5 g
Antenna Assembly type	FPC Self-adhesive
Dimensions (Antenna)	23 <sup>2</sup> x pi x 0.15 (mm)
Cable length	100 / 150 / 200 (mm)
Connection	MHF IPEX

## 6. RF Characteristics

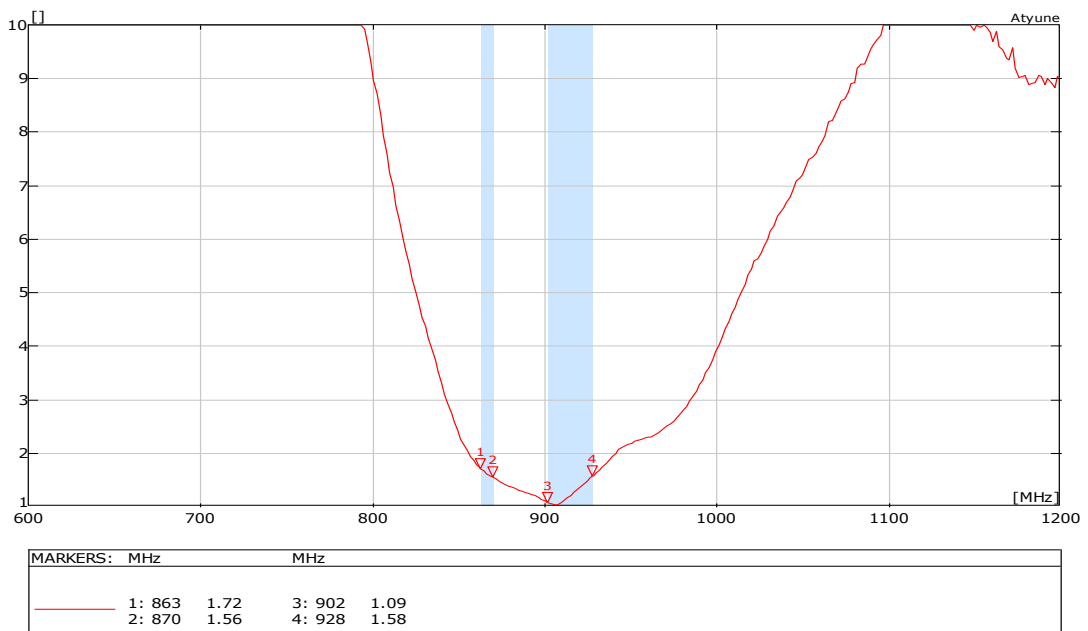
	Typical performance	Conditions
Peak gain	1.9dBi	All data measured in a loaded condition adhered to a plastic carrier free space.
Average gain	-2.4dBi	
Average efficiency	>50%	
Maximum return loss	<-11dB	
Maximum VSWR	1.70:1	

## 7. RF Performance

### 7.1 Return Loss

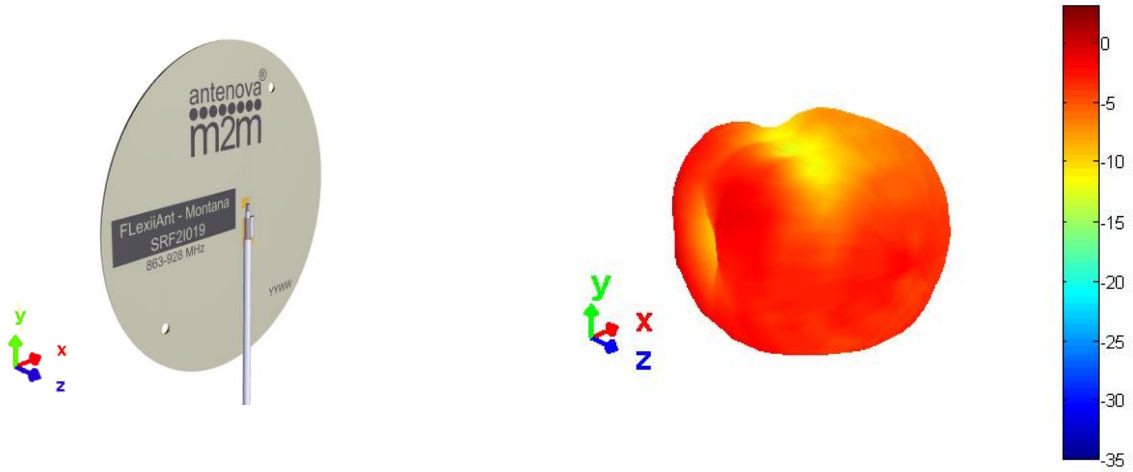


### 7.2 VSWR

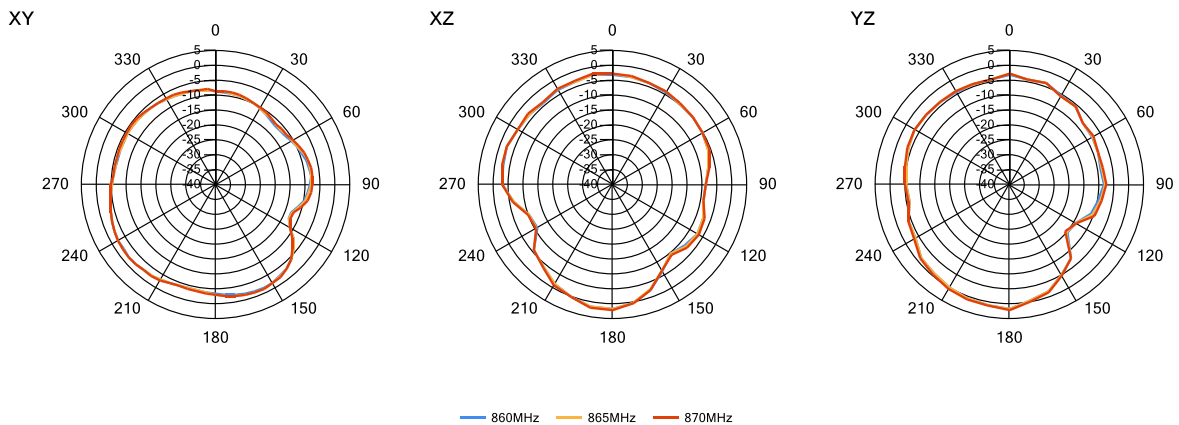


## 7.3 Antenna patterns

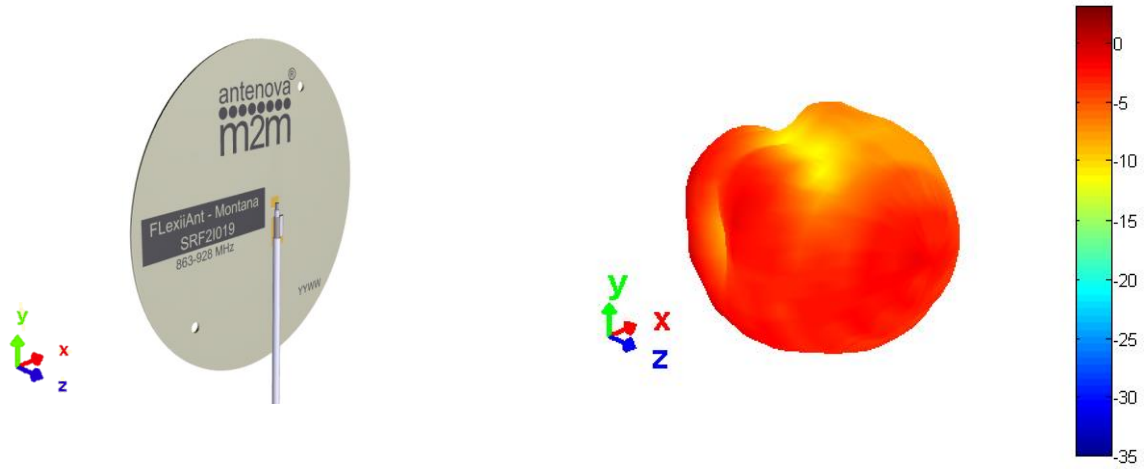
### 7.3.1 863 – 870 MHz



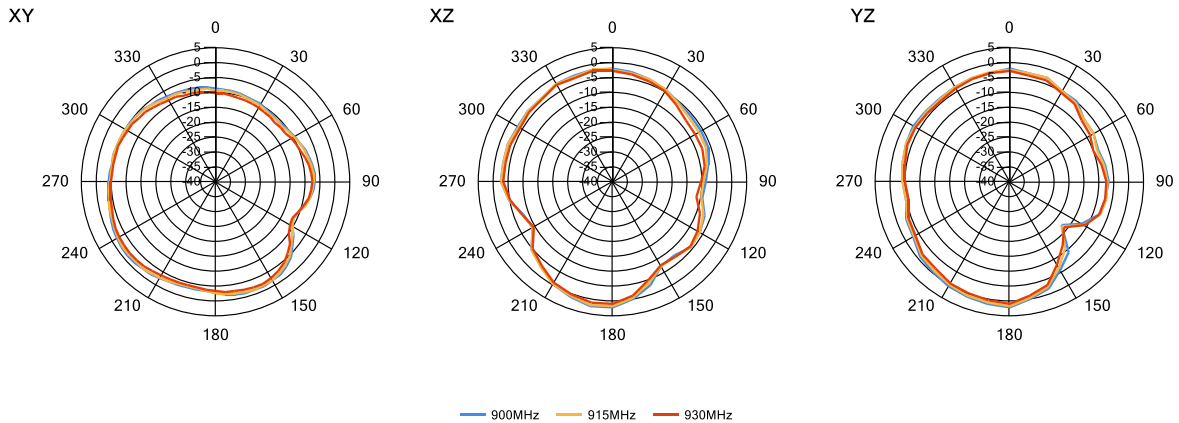
**3D pattern at 865MHz**  
*Drag to rotate pattern and PCB by using Adobe Reader  
(Click to Activate)*



### 7.3.2 902 - 928 MHz

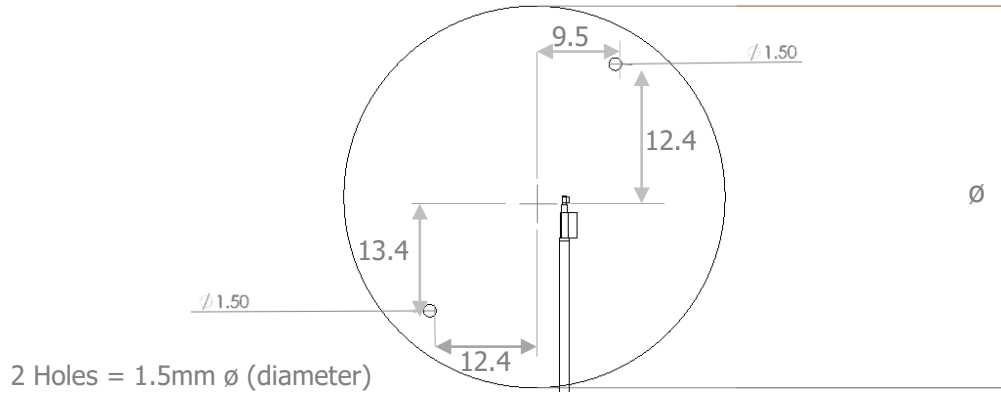


**3D pattern at 915MHz**  
*Drag to rotate pattern and PCB by using Adobe Reader  
(Click to Activate)*



## 8. Antenna Dimensions

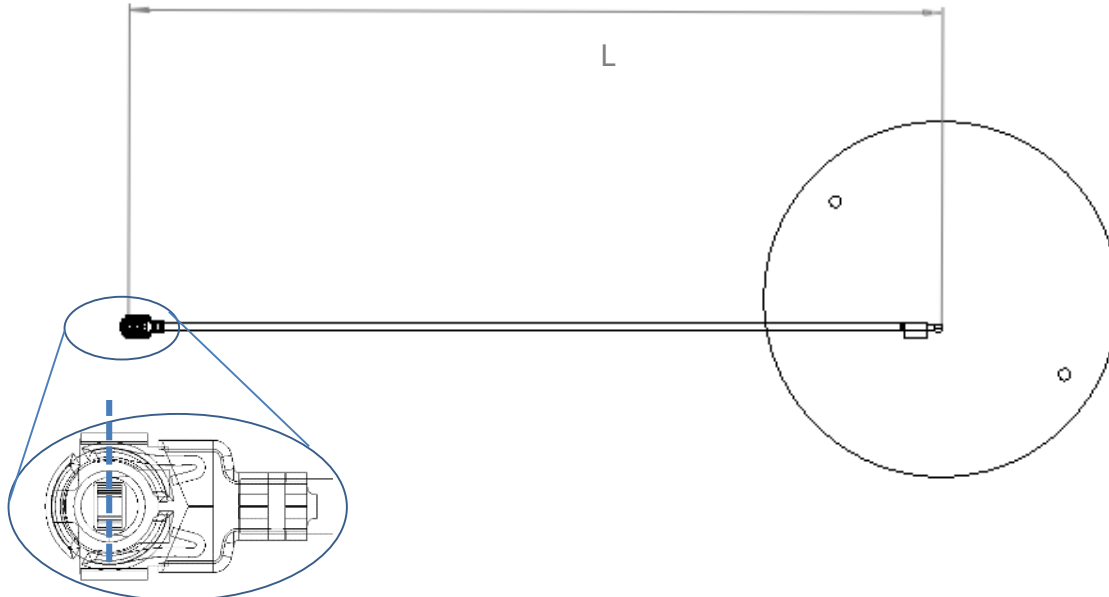
### 8.1 Dimensions FPC section



$\varnothing$	T
Diameter	Thickness
45.0 $\pm$ 0.2 (mm)	0.15 (mm) nominal

All dimensions in mm

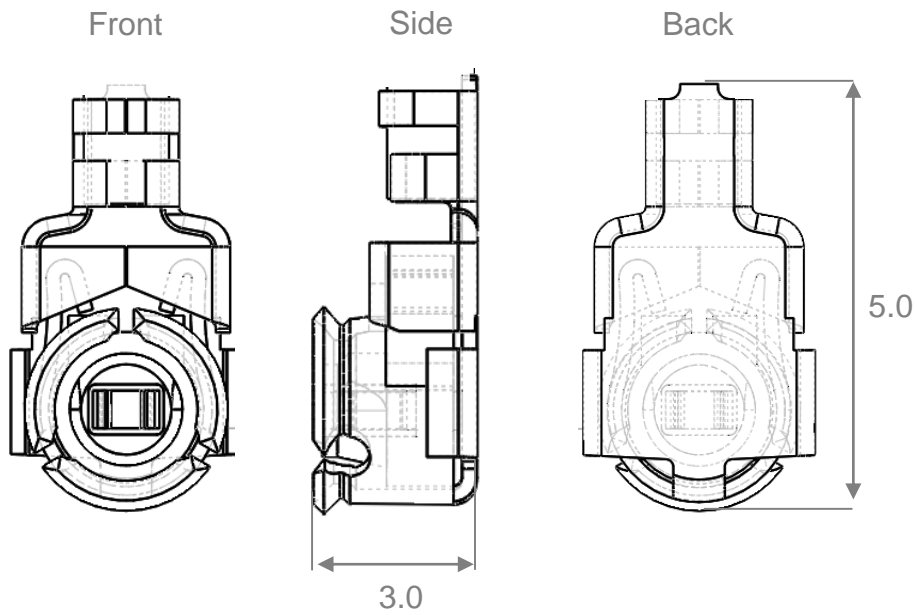
### 8.2 Dimensions assembled



SRF2I019-100	SRF2I019-150	SRF2I019-200
L	L	L
100 $\pm$ 2.0 (mm)	150 $\pm$ 2.0 (mm)	200 $\pm$ 2.0 (mm)

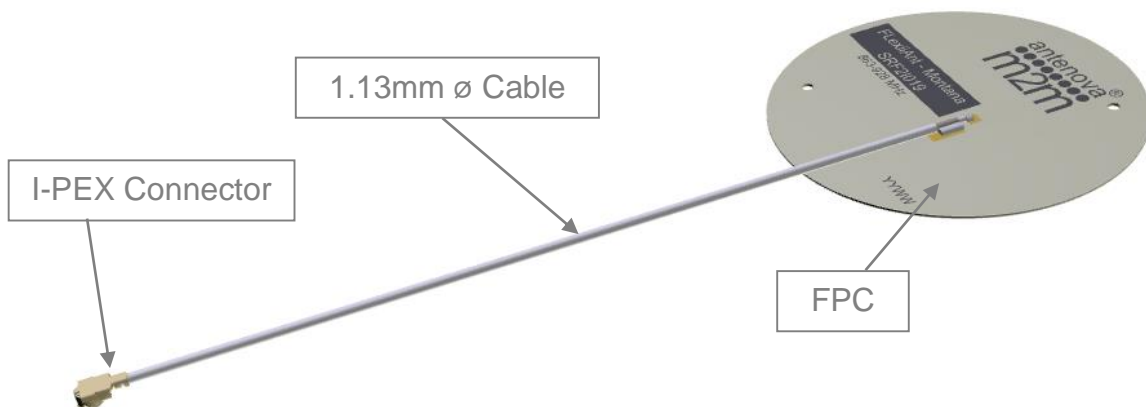
### 8.3 IPEX Connector

I-PEX	
Material	Copper Alloy
Plating	Ag



All dimensions in mm

### 8.4 Assembly



## 9. Electrical Interface

### 9.1 Host Interface

The host PCB requires the mating connector which is the IPEX MHF (UFL) receptacle. The location should be close to the chip/modules pin for the RF. Any feed from this receptacle should be maintained at 50Ω impedance.

### 9.2 Transmission Line

All transmission lines should be designed to have a characteristic impedance of 50Ω.

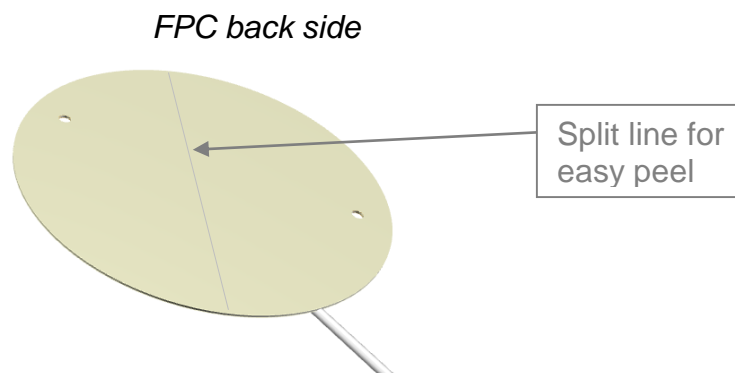
- The length of the transmission lines should be kept to a minimum
- Any other parts of the RF system like transceivers, power amplifiers, etc, should also be designed to have an impedance of 50 Ω

Once the material for the PCB has been chosen (PCB thickness and dielectric constant), a coplanar transmission line can easily be designed using any of the commercial software packages for transmission line design. For the chosen PCB thickness, copper thickness and substrate dielectric constant, the program will calculate the appropriate transmission line width and gaps on either side of the feed.

A DC blocking capacitor should be placed in line to protect the RF front end.

## 10. Mechanical Fixing

The antenna uses 3M 468MP adhesive on the back side of the FPC. The antenna has a easy access split line to peel off to reveal the adhesive side. It is designed for a one time fix to a clean smooth surface.





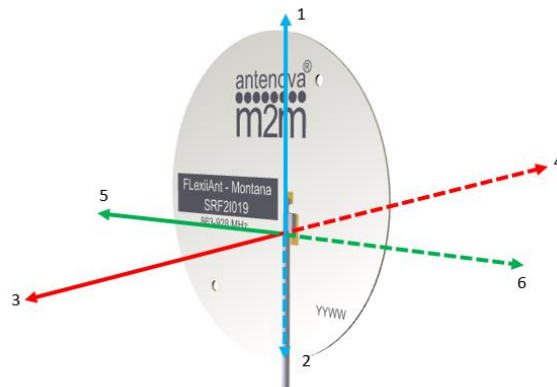
## 11.0 Antenna Integration Guide

### 11.1 Placement

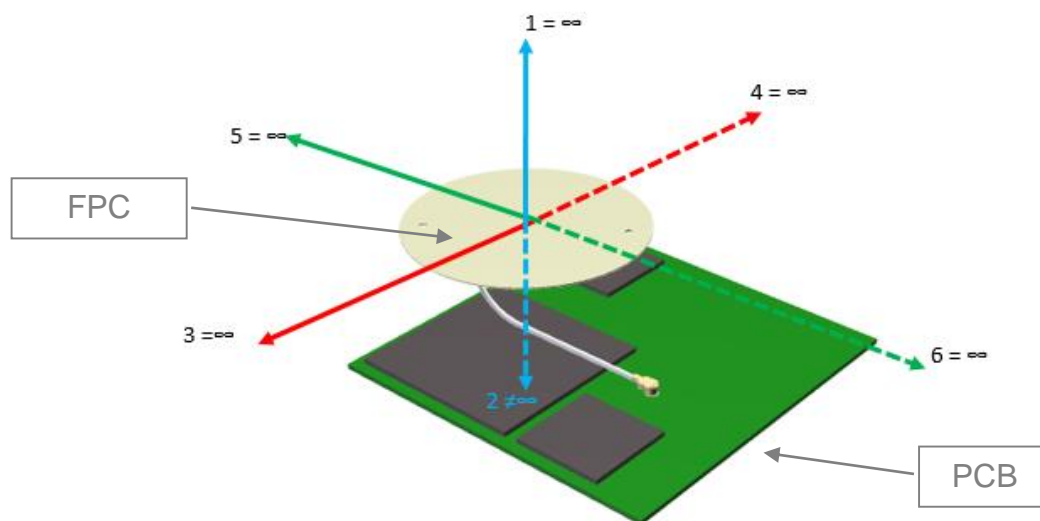
For placing the FPC antenna within a device, the host PCB size is not a factor as with PCB mounted antennas. However, placement still needs to follow some basic rules, as any antenna is sensitive to its environment.

The guide below shows six spatial directions. The antenna FPC section should ideally maintain a minimum of three directions free from obstructions so as to be able to operate effectively. The other directions will have obstacles in their paths, these directions still require a minimum clearance. These minimum clearances are further defined in this section. The plastic case is not included in this, only metal objects/components that will obstruct or come in close proximity to the antenna.

*Six spatial directions relative to FPC*



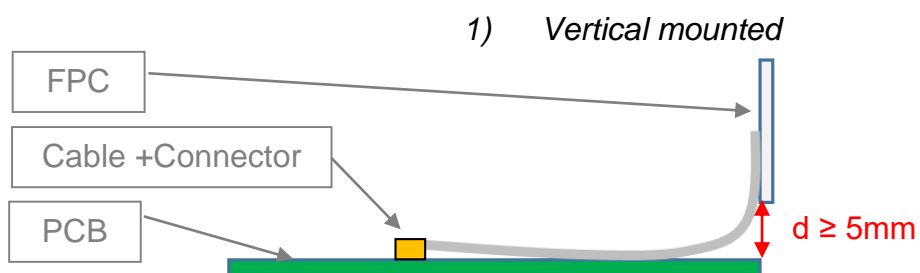
*Example with 5 spatial directions clear*



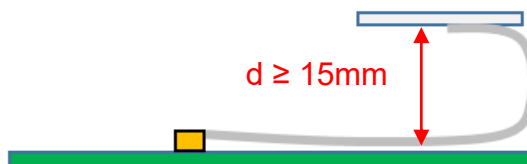
## 11.2 Orientation of FPC

The orientation of the FPC with respect to the host PCB should be defined depending on the unit. The proximity of the GND will have an influence on the antenna so the PCB location relative to the antenna should be considered.

The orientation the FPC will normally be placed in one of three of the following options for orientation. In each option a distance (d) is the critical dimension to consider. Below shows the minimum value of (d) for each. Other obstructions may increase this dimension.



1) *Co-planar to PCB*



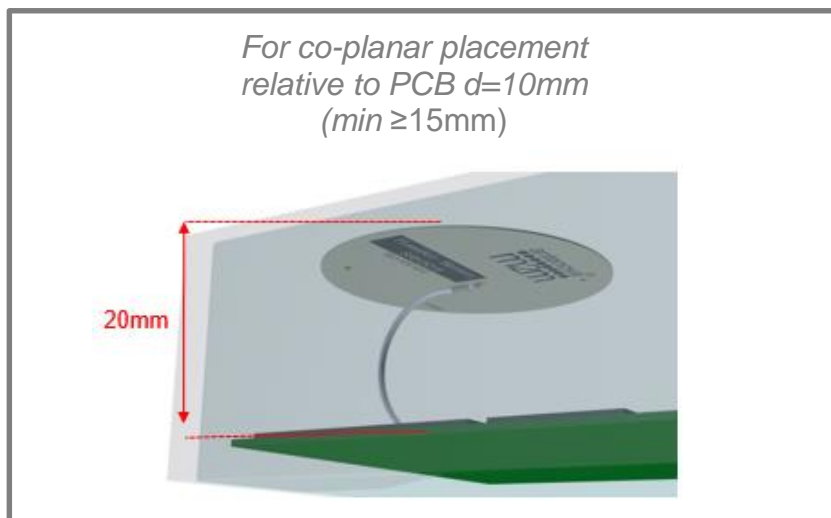
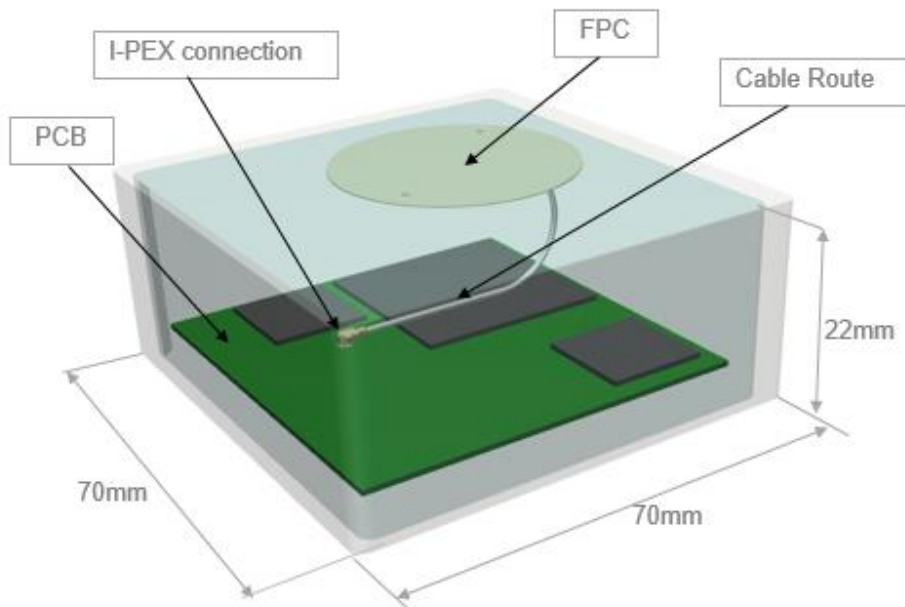
2) *Planar to PCB (Same plane)*



### 11.3 Device Integration example

An example of integration within a device is shown below. The device contains the major components along with the device outer case. The FPC is shown adhered to the inside of the plastic housing of the device. The length of the cable is sufficient to allow ease of assembly when produced (SRF2I019-100)

The FPC was placed parallel relative to the PCB. The FPC is kept a maximised height above the PCB to ensure it is above the minimum clearance of  $\geq 15\text{mm}$ . This example shows the FPC 20mm above the PCB.





## 13.2 Label Information





[www.antenova-m2m.com](http://www.antenova-m2m.com)

**Corporate Headquarters**

Antenova Limited  
2<sup>nd</sup> Floor Titan Court  
Bishop Square  
Hatfield  
AL10 9NA  
UK

**Tel:** +44 1233 810600

**Email:** [sales@antenova-m2m.com](mailto:sales@antenova-m2m.com)

**North America Headquarters**

Antenova Limited  
100 Brush Creek Road, Suite 103  
Santa Rosa  
California 95404  
USA

**Tel:** +1 707 890 5202

**Email:** [sales@antenova-m2m.com](mailto:sales@antenova-m2m.com)

**Asia Headquarters**

Antenova Asia Limited  
4F, No. 324, Sec. 1, Hei-Hu Road  
Hei-Hu District  
Taipei 11493  
Taiwan, ROC

**Tel:** +886 (0) 2 8797 8630

**Fax:** +886 (0) 2 8797 6890

**Email:** [sales@antenova-m2m.com](mailto:sales@antenova-m2m.com)

**Copyright© Antenova Ltd.** All Rights Reserved. Antenova®, Antenova M2M®, gigaNOVA® the Antenova product family names and the Antenova and Antenova M2M logos are trademarks and/or registered trademarks of Antenova Ltd. Any other names and/or trademarks belong to their respective companies.

The materials provided herein are believed to be reliable and correct at the time of printing. Antenova does not warrant the accuracy or completeness of the information, text, graphics or other items contained within this information. Antenova further assumes no responsibility for the use of this information, and all such information shall be entirely at the user's risk.



Certificate No: 4598

Antennas for Wireless M2M Applications