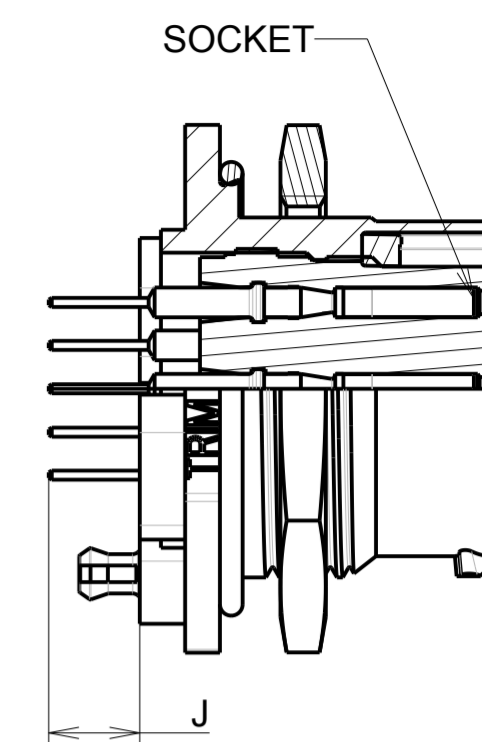
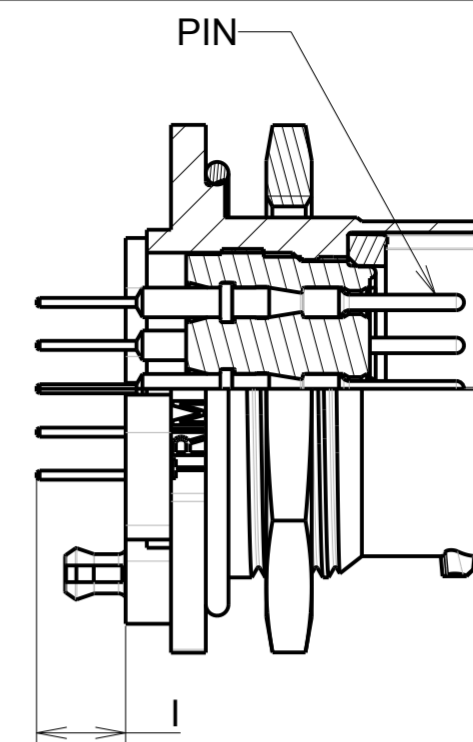
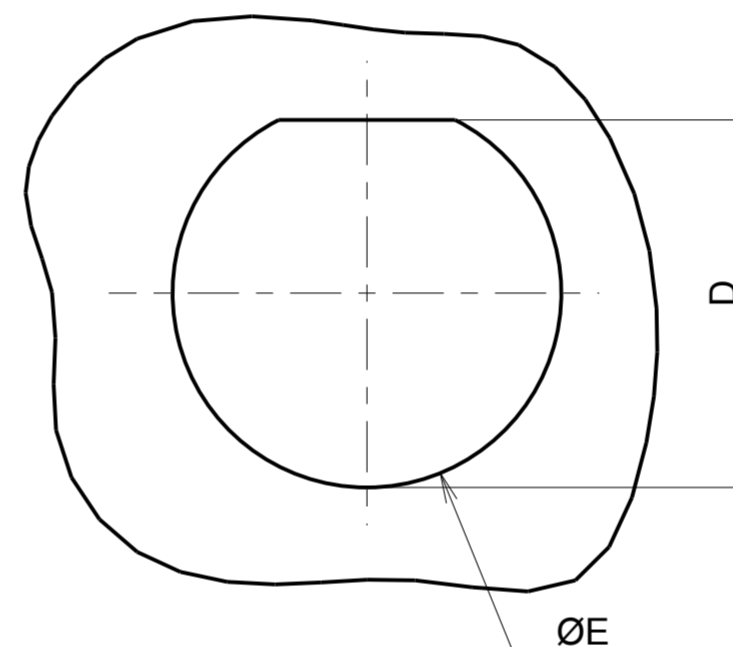


MALE CONNECTOR

FEMALE CONNECTOR



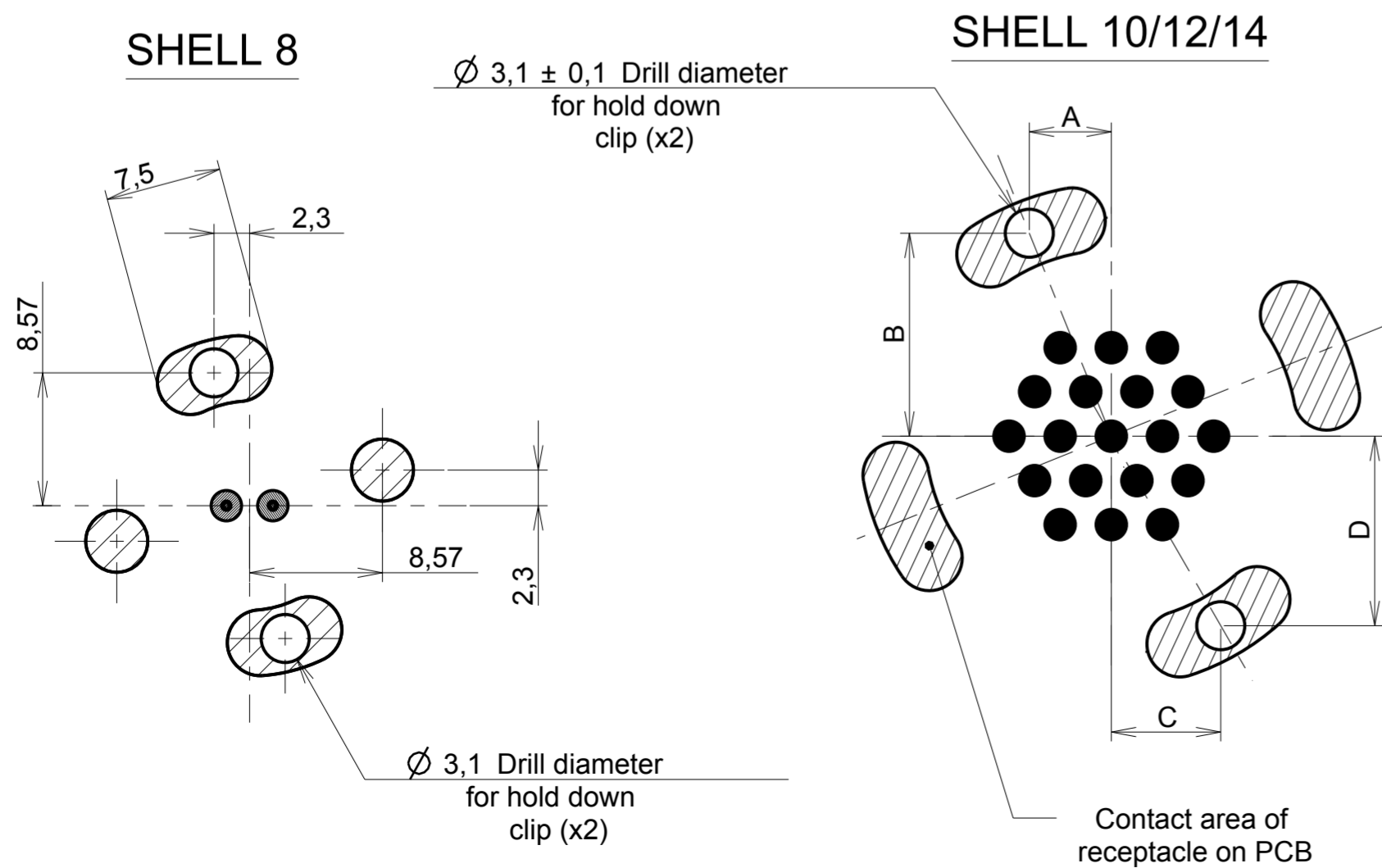
PANEL CUT OUT



SHELL SIZE	ØA ±0.15	B ±0.20 (without marking)	C ±0.20	D	ØE	F ± 0.3	Thread	Tightening torque (Nut)
08	11.90	24.00	19.05 ±0.37	13.75 ± 0.20	14.60 ± 0.20	3.1	9/16 24 UNEF CLASS 2A	2 Nm
10	14.90	26.90	22.15	16.40 0/+0.2	17.30 0/+0.25	3.1	11/16 24 UNEF CLASS 2A	3 Nm
12	18.95	31.75	27.15	20.85 0/+0.3	22.10 0/+0.3	3.1	7/8 20 UNEF CLASS 2A	4 Nm
14	22.15	34.90	30.20	24.00 0/+0.3	25.40 0/+0.3	3 ± 0.1	1"20 UNEF CLASS 2A	5 Nm

Shell size	I (male connector)	J (female connector)
8	3.8/6 for layout 8-2/8-3/8-4 4.7/7.25 for layout 8-3A/8-98/8-33	3.75/5.8 for layout 8-2/8-3/8-4 4.8/6.9 for layout 8-3A/8-98/8-33
10	4.9/7	4.9/7
12	4.8/7 3.85/5.9 for layout 12-14	5.2/7 3.85/5.9 for layout 12-14
14	4.8/7	5.3/7

DRILLING PATTERN FOR HOLD DOWN PINS



MATERIAL :

- Shell: Polyamid UL94 V-0
- Insert: Polychloropren (CR)
- Seal gasket : Sealing IP68/69K : Silicone
- O'ring: nitril
- Nut: Aluminium alloy black anodized
- Contact: Brass + gold plated

PERFORMANCE CHARACTERISTICS :

- Operating temperature: -40°C up to 105°C
- Insulation resistance: 5000 MΩ min
- Test potential: 2000 Vrms for #16 layout and 1500Vrms for #20 layout
- Corrosion salt spray: 500 hours
- Durability: 250 matings and unmatings

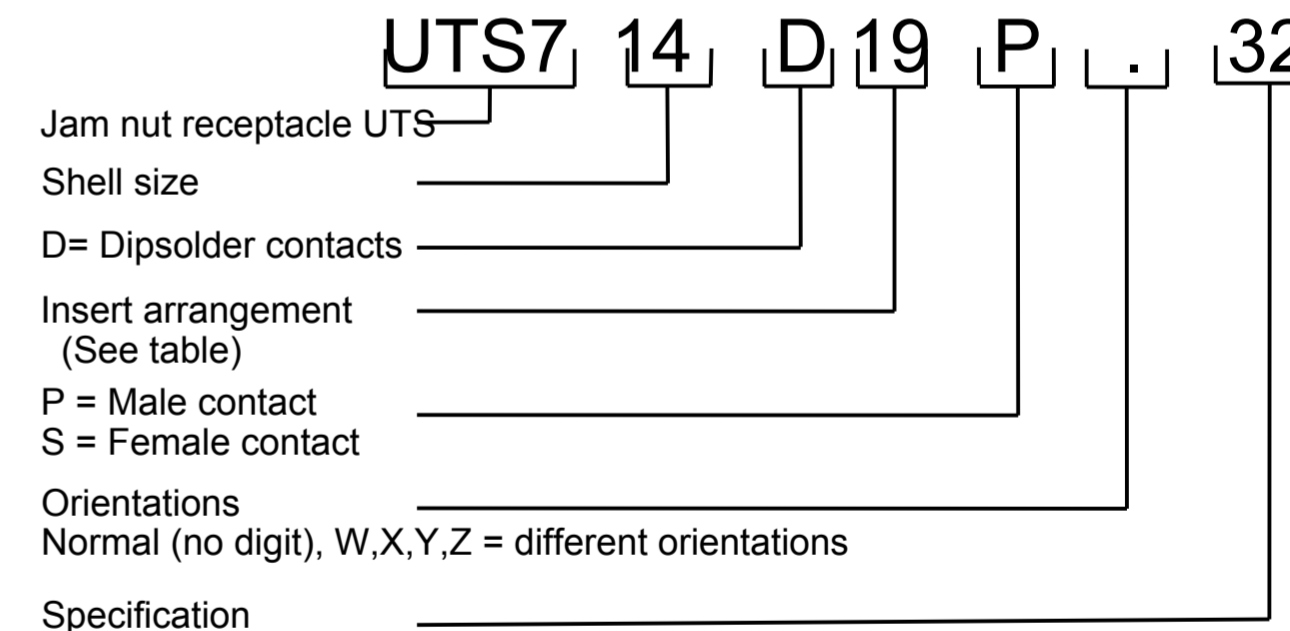
Sealing in mated and unmated conditions:

- IP68 : 1 bar during 1 week : immersion under 10 m of water (IEC 60529)
- IP69K : exposure to high pressure water of cleaning equipment (DIN 40050)

NOTE :

Insert arrangements : refer to C144-UTS1-A

TAILLE	Perçage 1		Perçage 2	
	A	B	C	D
T10	3.98	9.85	5.31	9.20
T12	4.92	12.17	6.56	11.37
T14	5.29	13.10	7.06	12.23



CUSTOMER DRAWING

d	05/12/13	DRILLING PATTERN: Modification of view and cotation	
ISS	DATE	Latest modification - by:	LANDAIS.P
Designed by: SORIN V.		Date: 19/05/10	MOD N°
TITLE		CUSTOMER DRAWING	
TITLE		JAM NUT WITH DIPSOLDER CONTACTS UTS HI SEAL SPECIF.32	
Scale	2/1	General linear Tolerances: ± 0.2	NPRDS / PROJECT UTS-HI SEAL
SOURIAU WWW.SOURIAU.COM		This document is the property of SOURIAU It must not be reproduced or communicated without permission	
FORMAT	A2	SOURIAU DRG N° C121-UTS1-A	SHEET 1/1