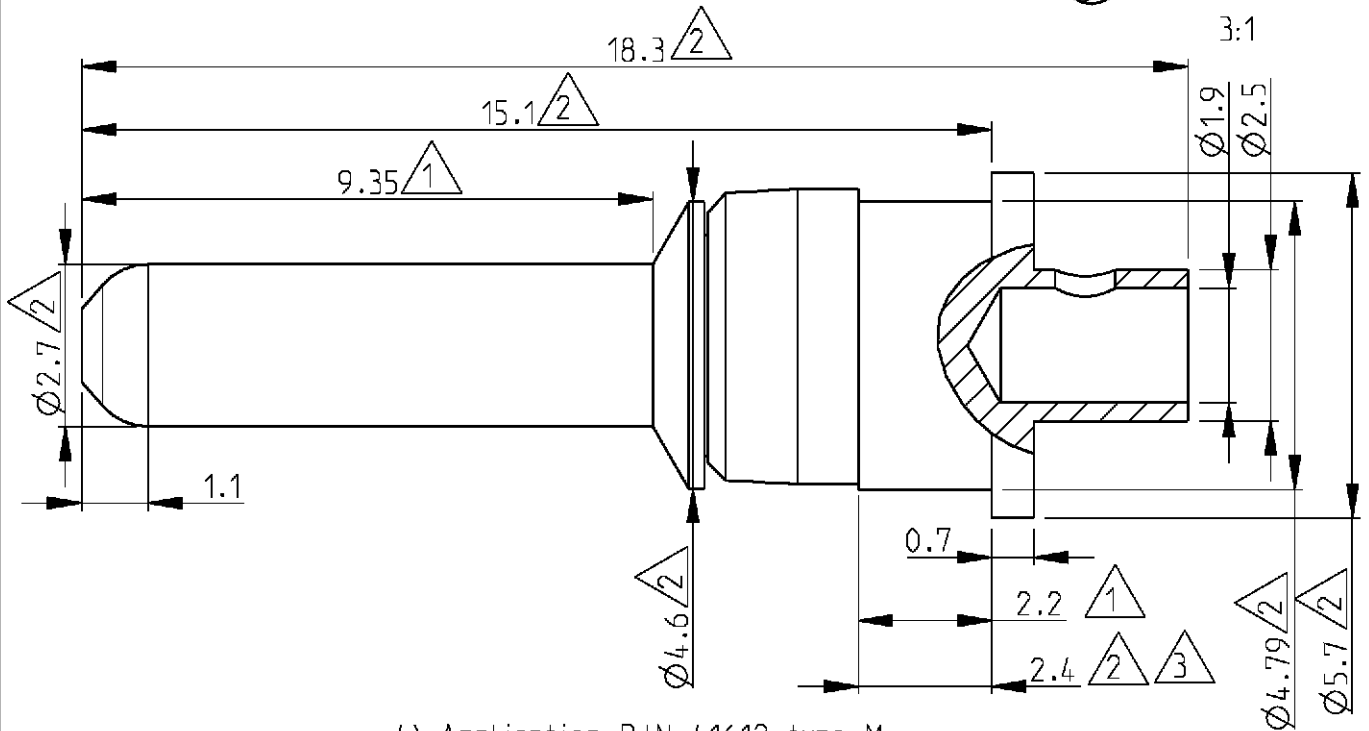


| LOC | DIST | REVISIONS | | | | |
|-----|------|-------------|--------------|-----------|------|----|
| P | LTR | DESCRIPTION | DATE | DWN | APVD | |
| GW | - | A1 | SR10-0170-01 | 26APR2001 | BL | KM |
| | | | | | | |
| | | | | | | |



4) Application DIN 41612 type M

- △3 Measured with spring moved towards the mating face
- △2 Max dimension
- △1 Min dimensions

| Cross reference table | | | | |
|-----------------------|------------------|---------|----------|-------------------------------|
| Old part number | Tyco part number | Current | Material | Plating |
| C42334-A347-A198 | 3-1393589-5 | 10 A | Brass | 1 μm Au or Pd in contact area |



1:1

| | | | | | | |
|--|----------------------|-----------|--|-----------|---------------|---------------|
| DIMENSIONS: mm | DWN B. Lenvain | 19APR2001 | MATERIAL | - | FINISH | - |
| | CHK K. Mattheeuws | 19APR2001 | Tyco Electronics Oostkamp - Belgium | | | |
| TOLERANCES UNLESS OTHERWISE SPECIFIED: | APVD R. Leeman | 19APR2001 | | | | |
| 0 PLC ± | PRODUCT SPEC | - | NAME Pre-mating high current plug | | | |
| 1 PLC ± | APPLICATION SPEC | - | SIZE | CAGE CODE | DRAWING NO | RESTRICTED TO |
| 2 PLC ± | WEIGHT | - | A 4 | 00779 | ©=3-1393589-5 | - |
| 3 PLC ± | CUSTOMER DRAWING | | SCALE | 8/1 | SHEET | 1 OF 1 |
| 4 PLC ± | | | | | | REV A1 |
| ANGLES ± | | | | | | |