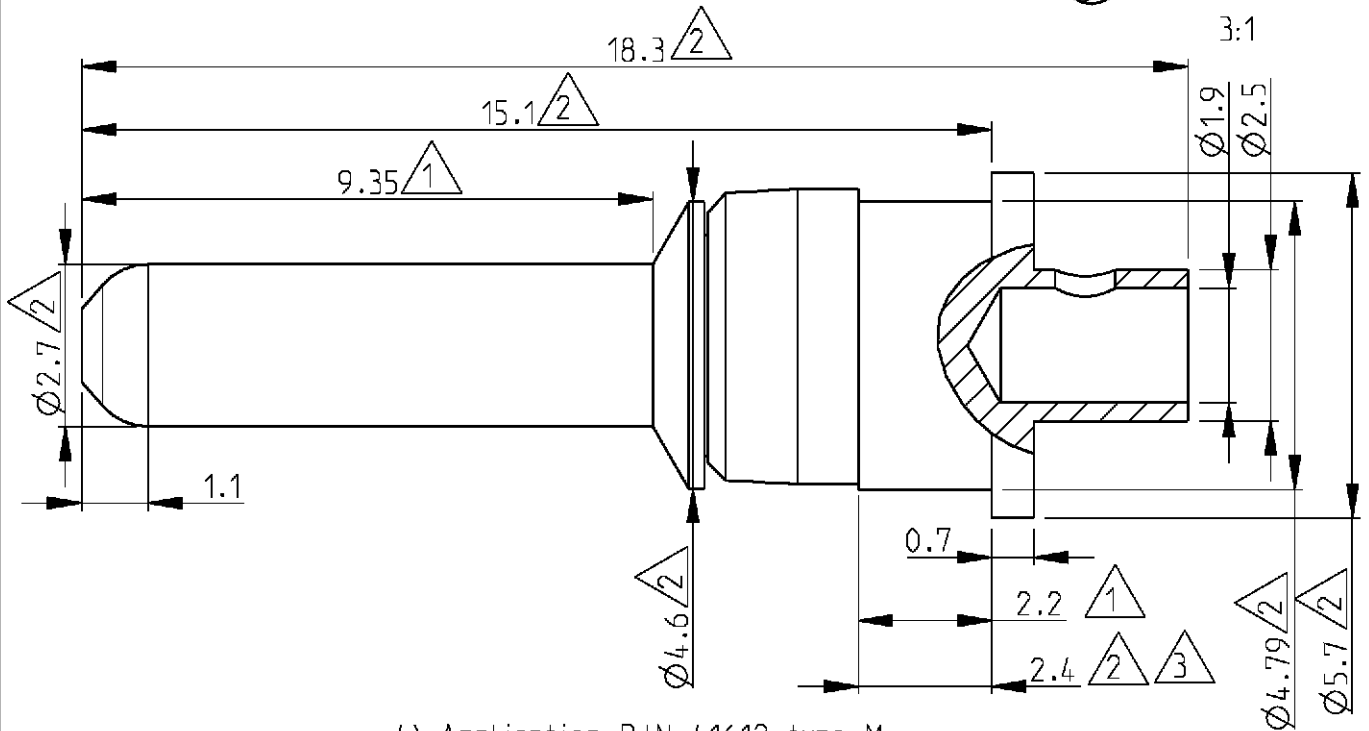
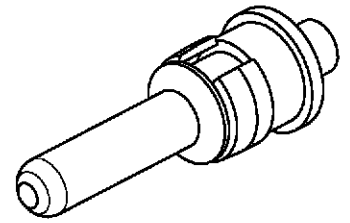


LOC GW	DIST -	REVISIONS				
P	LTR	DESCRIPTION	DATE	DWN	APVD	
	A1	SR10-0170-01	26APR2001	BL	KM	



4) Application DIN 41612 type M

- Measured with spring moved towards the mating face
- Max dimension
- Min dimensions

Cross reference table				
Old part number	Tyco part number	Current	Material	Plating
C42334-A347-A198	3-1393589-5	10 A	Brass	1 $\mu$ m Au or Pd in contact area



1:1

DIMENSIONS: mm	DWN B. Lenvain	19APR2001	MATERIAL	-	FINISH	-
	CHK K. Mattheeuws	19APR2001	Tyco Electronics Oostkamp - Belgium			
TOLERANCES UNLESS OTHERWISE SPECIFIED:	APVD R. Leeman	19APR2001				
0 PLC $\pm$	PRODUCT SPEC	-	NAME Pre-mating high current plug			
1 PLC $\pm$	APPLICATION SPEC	-	SIZE	CAGE CODE	DRAWING NO	RESTRICTED TO
2 PLC $\pm$	WEIGHT	-	A 4	00779	C=3-1393589-5	-
3 PLC $\pm$			CUSTOMER DRAWING			
4 PLC $\pm$			SCALE	SHEET	OF	REV
ANGLES $\pm$			8/1	1	1	A1