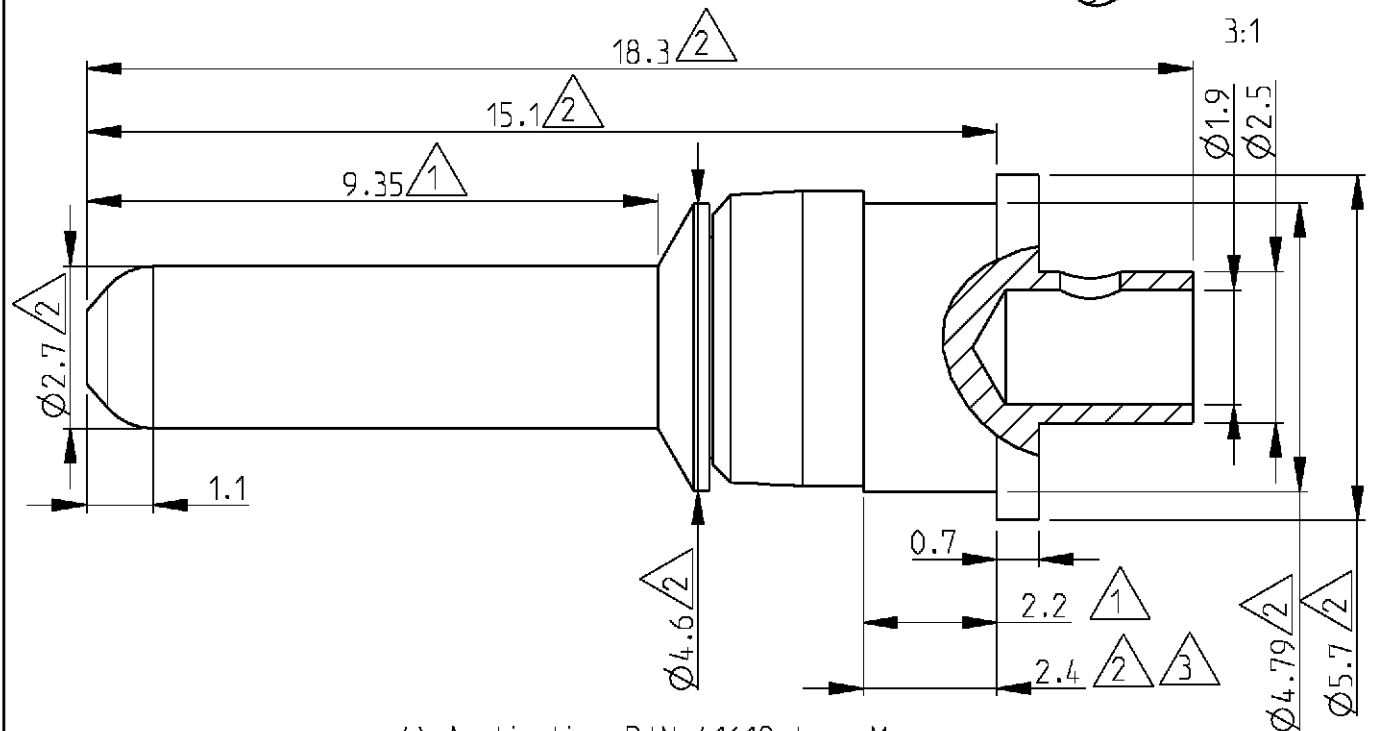
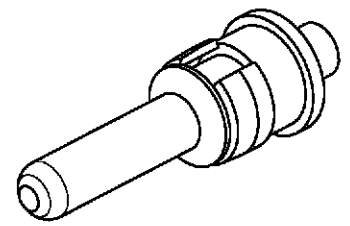
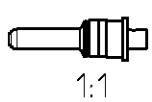


LOC GW	DIST -	REVISIONS				
P	LTR	DESCRIPTION	DATE	DWN	APVD	
	A1	SR10-0170-01	26APR2001	BL	KM	



- 4) Application DIN 41612 type M
- △3 Measured with spring moved towards the mating face
- △2 Max dimension
- △1 Min dimensions

Cross reference table				
Old part number	Tyco part number	Current	Material	Plating
C42334-A347-A198	3-1393589-5	10 A	Brass	1 µm Au or Pd in contact area



2000
 RELEASED FOR PUBLICATION
 THIS DRAWING IS UNPUBLISHED.
 BY TYCO ELECTRONICS CORPORATION. ALL RIGHTS RESERVED.
 © COPYRIGHT 2000

DIMENSIONS: mm	DWN B. Lenvain	19APR2001	MATERIAL	-	FINISH	-
	CHK K. Mattheeuws	19APR2001	Tyco Electronics Oostkamp - Belgium			
TOLERANCES UNLESS OTHERWISE SPECIFIED:	APVD R. Leeman	19APR2001				
0 PLC ±	PRODUCT SPEC		NAME Pre-mating high current plug			
1 PLC ±	-		SIZE	CAGE CODE	DRAWING NO	RESTRICTED TO
2 PLC ±	APPLICATION SPEC		A 4	00779	©=3-1393589-5	-
3 PLC ±	-		CUSTOMER DRAWING			
4 PLC ±	WEIGHT		SCALE 8/1			
ANGLES ±	-		SHEET 1 OF 1			
			REV A1			