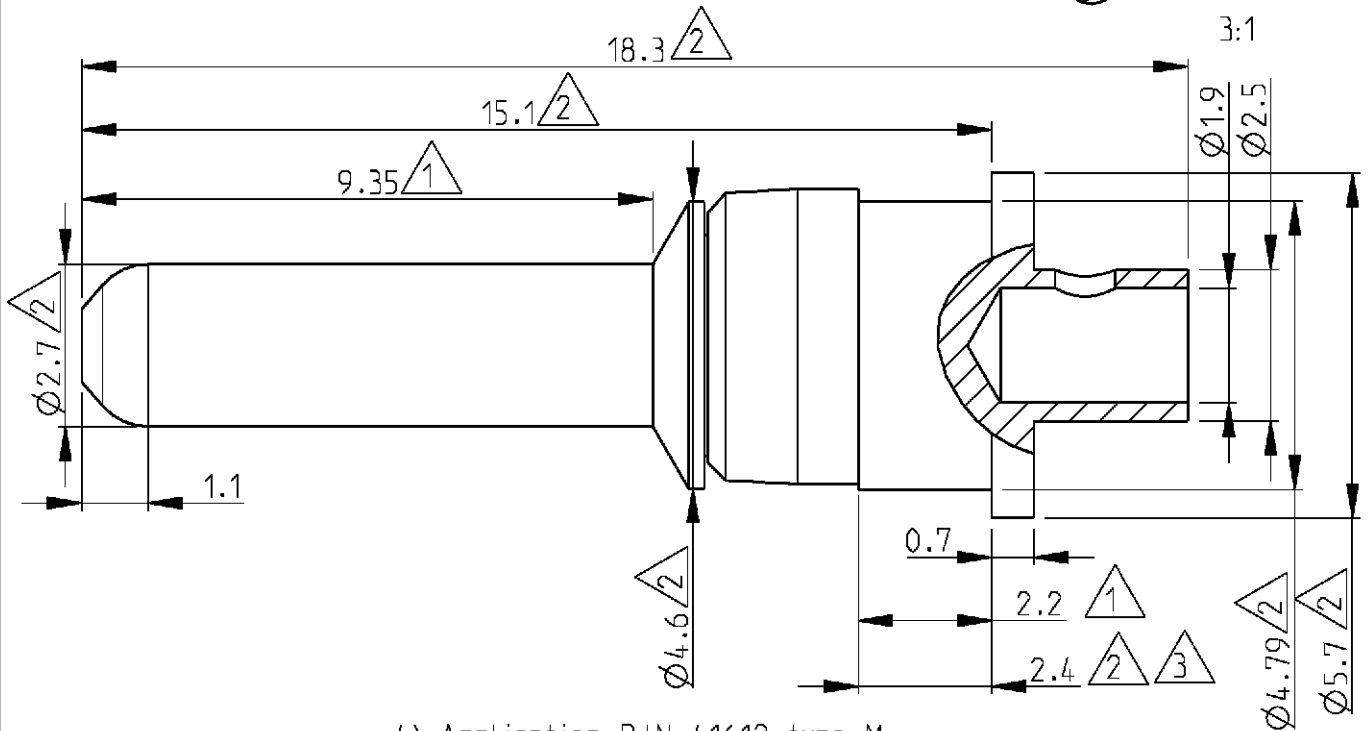
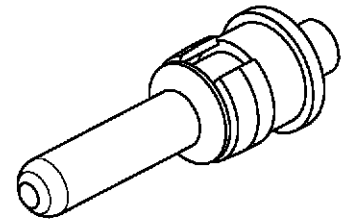


LOC	DIST	REVISIONS				
P	LTR	DESCRIPTION	DATE	DWN	APVD	
GW	-	A1	SR10-0170-01	26APR2001	BL	KM



4) Application DIN 41612 type M

- Measured with spring moved towards the mating face
- Max dimension
- Min dimensions

Cross reference table				
Old part number	Tyco part number	Current	Material	Plating
C42334-A347-A198	3-1393589-5	10 A	Brass	1 µm Au or Pd in contact area



1:1

DIMENSIONS: mm	DWN B. Lenvain	19APR2001	MATERIAL	-	FINISH	-
	CHK K. Mattheeuws	19APR2001	Tyco Electronics Oostkamp - Belgium			
TOLERANCES UNLESS OTHERWISE SPECIFIED:	APVD R. Leeman	19APR2001				
0 PLC ±	PRODUCT SPEC	-	NAME Pre-mating high current plug			
1 PLC ±	APPLICATION SPEC	-	SIZE	CAGE CODE	DRAWING NO	RESTRICTED TO
2 PLC ±	WEIGHT	-	A 4	00779	©=3-1393589-5	-
3 PLC ±			CUSTOMER DRAWING			
4 PLC ±			SCALE	8/1	SHEET	1 OF 1
ANGLES ±					REV	A1