

DETAILS

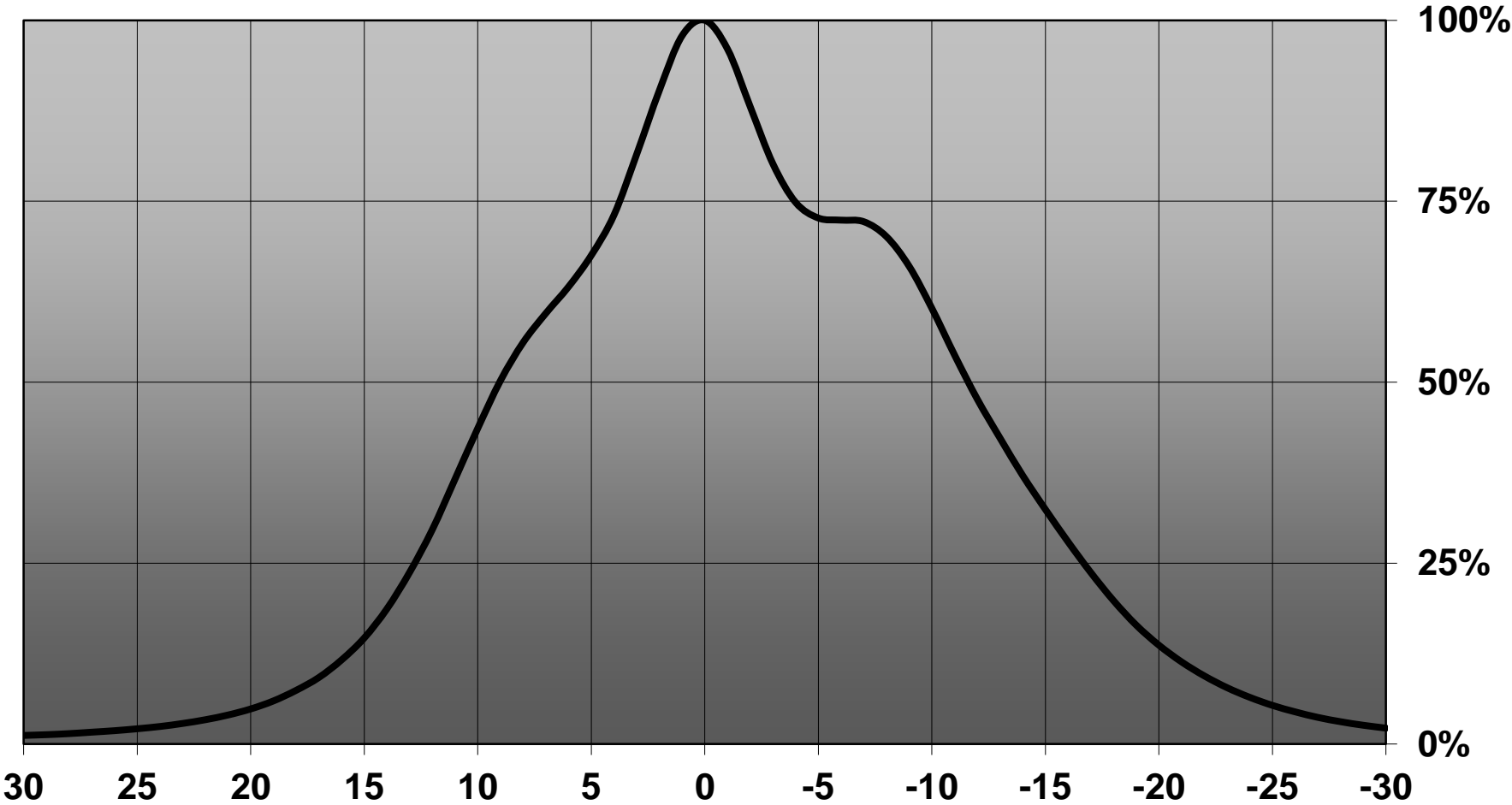
Product Number	FCA14011_G2-NIS033U-S
Family	Rose
Type	Assembly
Color	black
Diameter	21.6 + 21.6 mm
Height	12,9 mm
Style	square
Optic Material	Silicone
Holder Material	PC
Fastening	tape
Status	ready
ROHS Compliant	Yes
Date Updated	1/07/2015



OPTICAL PROPERTIES

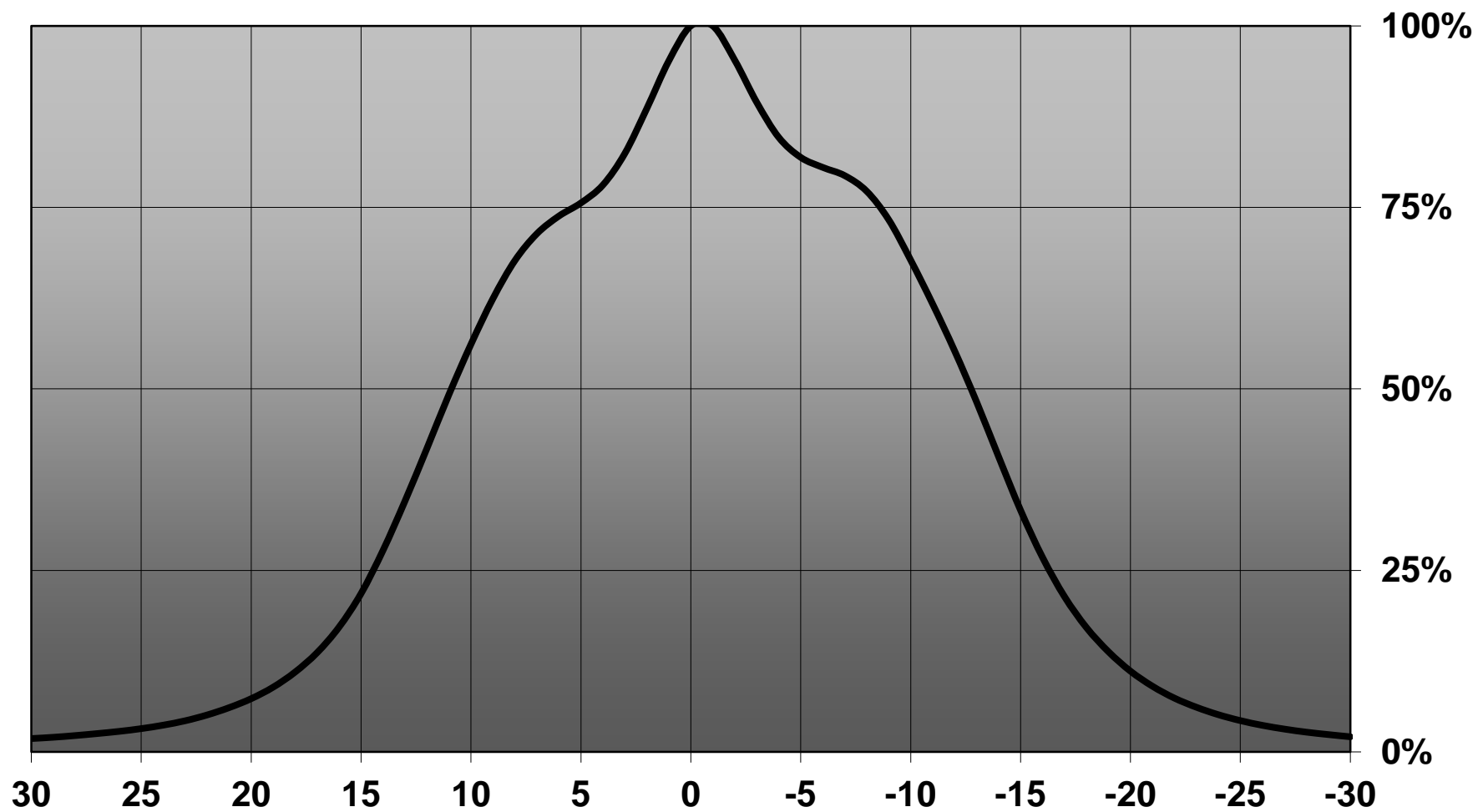
LED	Viewing	Light	Effi-		Connector
	Angle	Beam	ciency	cd/lm	
NCSU033B	10 deg	Spot	sim: 93 %	sim: 0.000	-
NCSU034B	10 deg	Spot	sim: 93 %	sim: 0.000	-
6868 4in1 (UV)	20 deg	Spot	-	sim: 0.000	-
NC4U134A	20 deg	Spot	sim: 92 %	sim: 0.000	-

Relative intensity of FCA14405_G2-NIS033U-M_(NCSU034B)

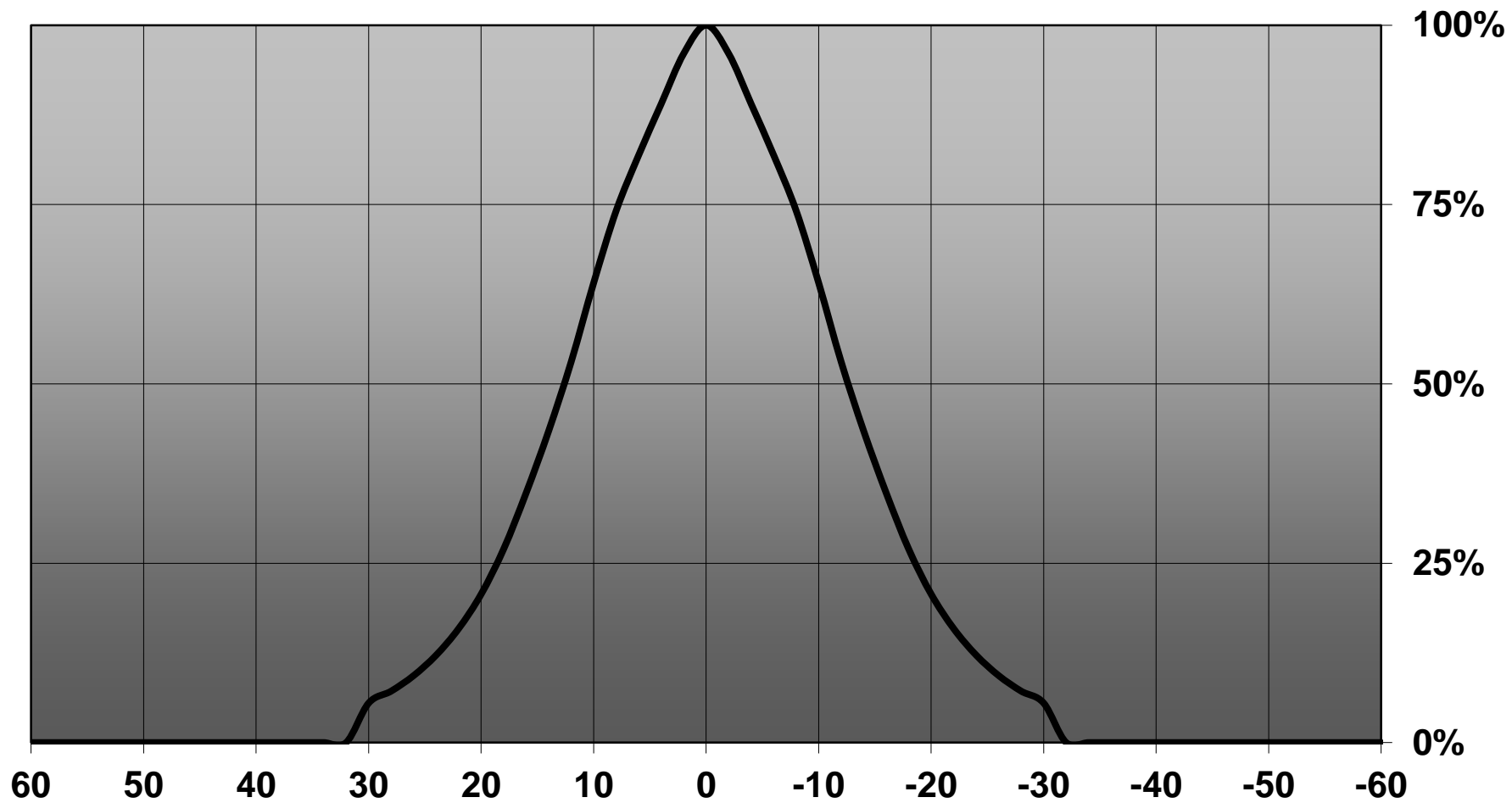


—1

Relative intensity of FCA14405_G2-NIS033U-M_(NCSU033BE)

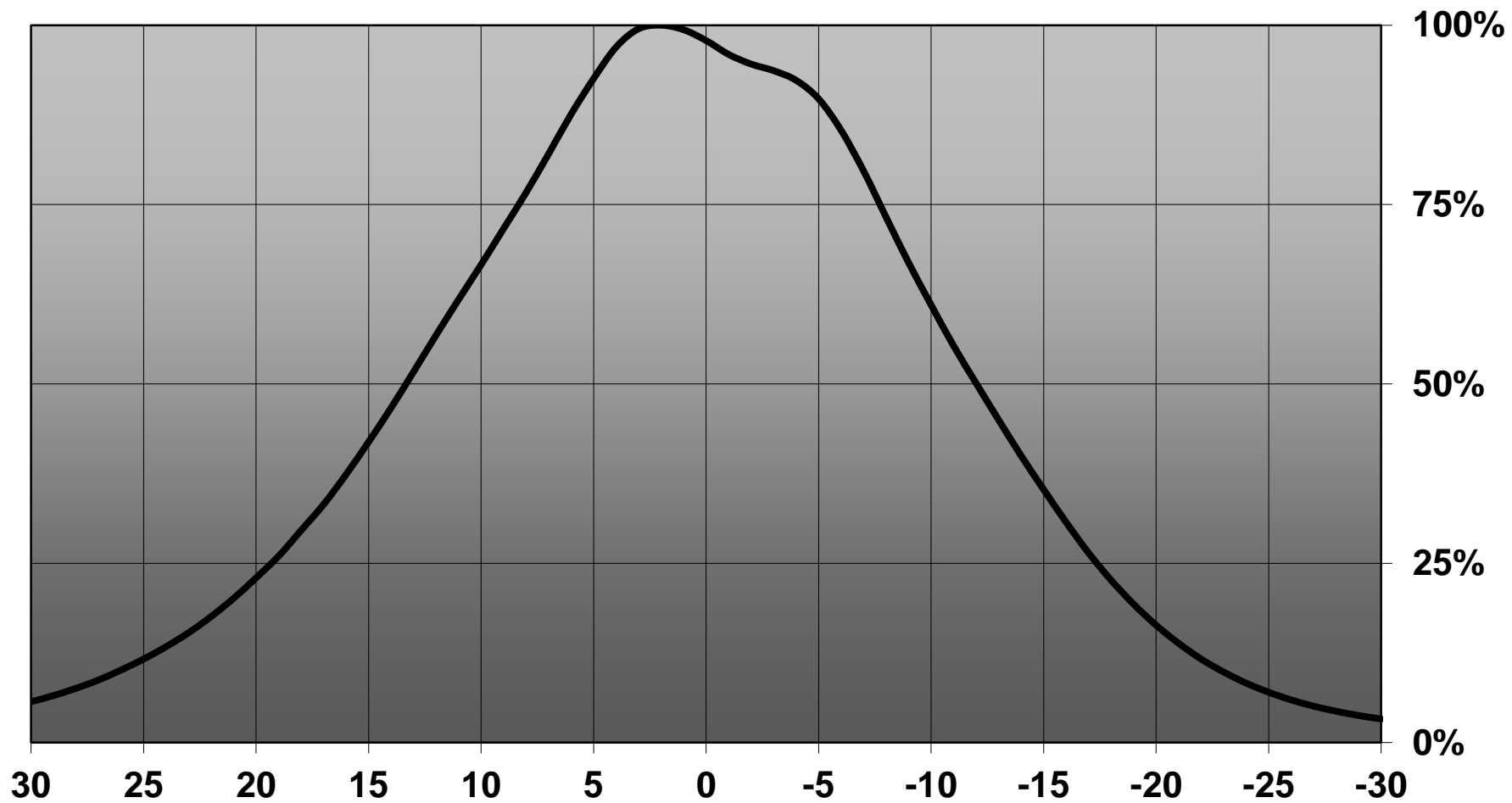


Relative intensity of FCA14405_G2-NIS033U-M_LG_6868_4in1)



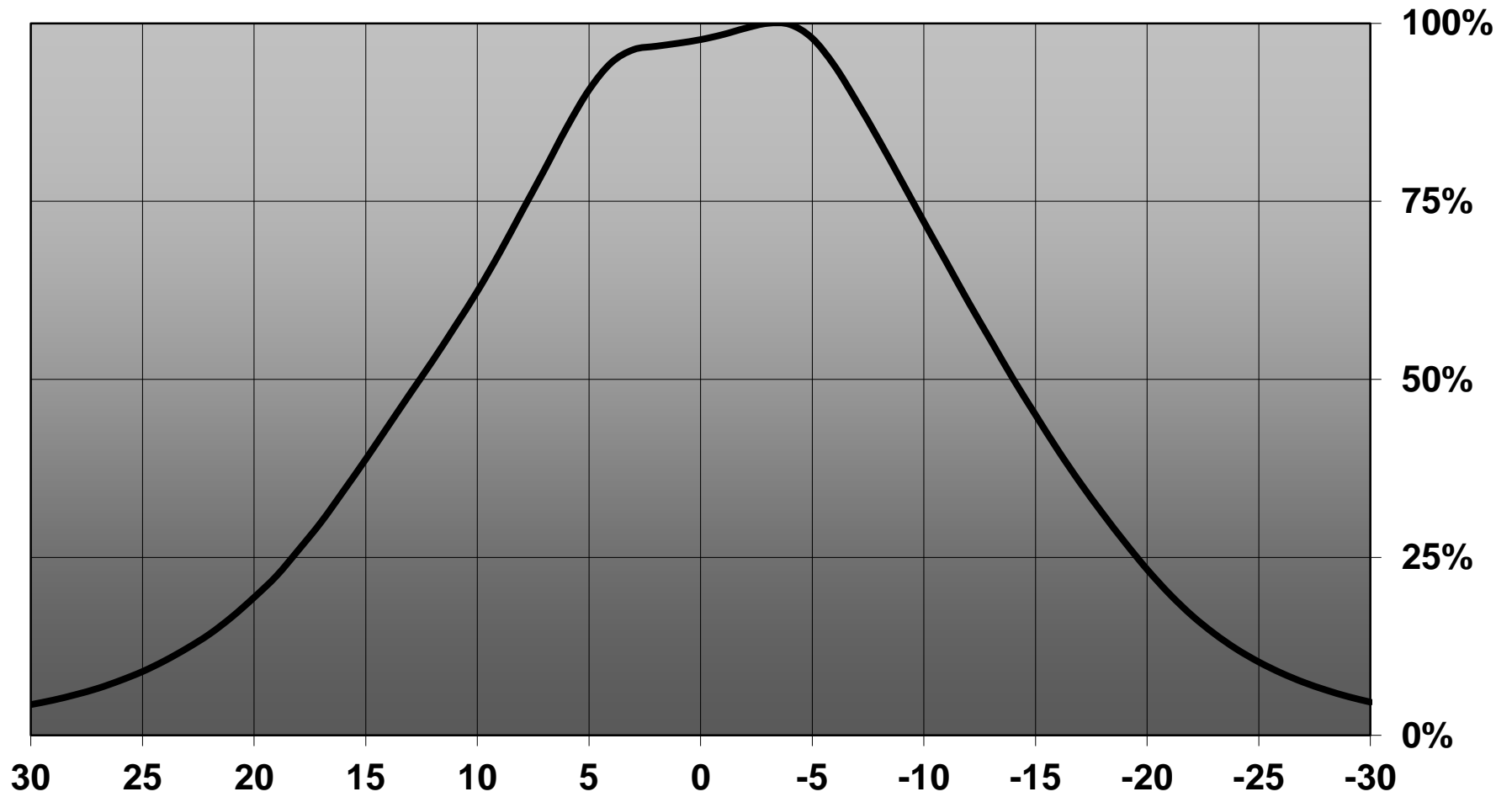
— 0,041 W/m² @ 100mA

Relative intensity of FCA14405_G2-NIS033U-M_(NC4U133A)



—1

Relative intensity of FCA14405_G2-NIS033U-M_(NC4U134A)



—1

D

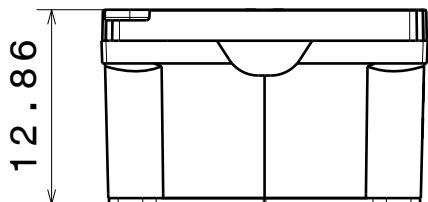
C

B

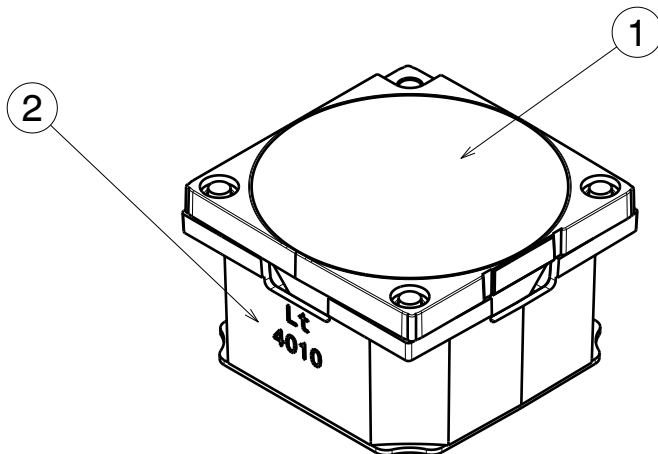
A

4

4



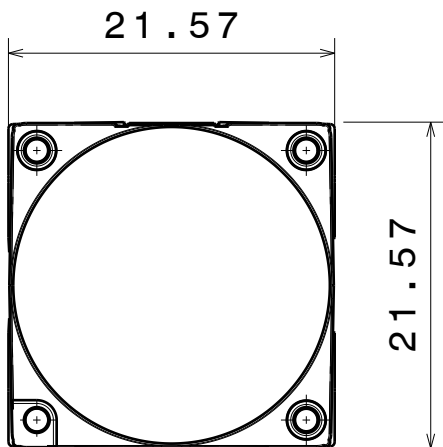
Front view



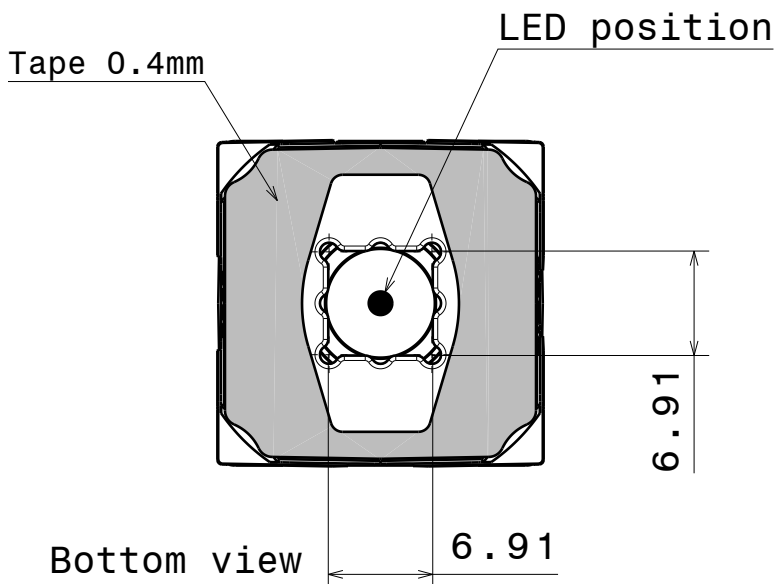
Isometric view

3

3



Top view



Bottom view

2

2

INDEX	PART NO	DESCRIPTION	MATERIAL	COLOUR
1	F14405	ROSE-UV-M	MS1002	clear
2	C14010	ROSE-LT-HLD-I-BLK	PC	black

Tolerances if not otherwise shown
According to DIN ISO 2768-1
Linear measures: class V
Please note that due to the elasticity of
products made of silicone actual measured
values may vary, and therefore typical
tolerance values may not be applied.

LEDiL LediL Oy
Salorankatu 10
FIN 24240 SALO
Finland

THIRD ANGLE PROJECTION:

DRAWING TITLE
FCA14405_G2-NIS033U-M

This drawing is the property
of LEDiL Oy. It may not be
reproduced, copied or
communicated without a written
agreement with LEDiL Oy.

SIZE	PART NUMBER
A4	FCA14405

SCALE	2:1	WEIGHT	4,6 g	SHEET	1/1
-------	-----	--------	-------	-------	-----

D

A

1

1

NOTE: The typical divergence will be changed by different color, chip size and chip position tolerance. The typical total divergence is the full angle measured where the luminous intensity is half of the peak value.

GENERAL INFORMATION

- Product series especially designed & optimized for series of LEDs.
- Special care taken to make light distribution as uniform as possible.
- Fastening to heat sink with a PU foam adhesive tape of automotive grade. Please find fastening details by clicking link: http://www.ledil.com/datasheets/DataSheet_TAPE.pdf

NOTE 1: We advise customer to ensure the suitability and sufficiency of the bond in the end product. For example, mechanical stress, vibration and holes on the surface of the circuit board weaken the strength of the tape.

NOTE 2: Assembly to the surface must be made straight, so the tape bonds constant and balanced with fastening surface. Slanted assembly might cause unbalanced bond to the surface. All surfaces where tape is applied must be clean, dry and free from grease and dirt.

If cleaning of PCB surfaces is needed, please follow strictly the cleaning instructions of your LED manufacturer - this is important as cleaning shall under no circumstances damage LEDs or other electronics components on the PCB.

Further note that optical components shall not be cleaned with any chemicals - only micro fiber cloth may be used to remove fingerprints or other traces from handling.