

4

3

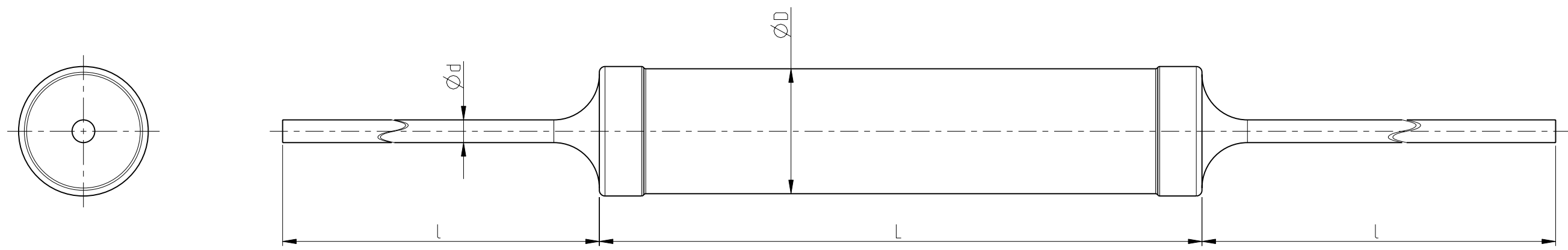
2

1

THIS DRAWING IS UNPUBLISHED. RELEASED FOR PUBLICATION 2008  
 © COPYRIGHT 2008 BY TYCO ELECTRONICS CORPORATION. ALL RIGHTS RESERVED.

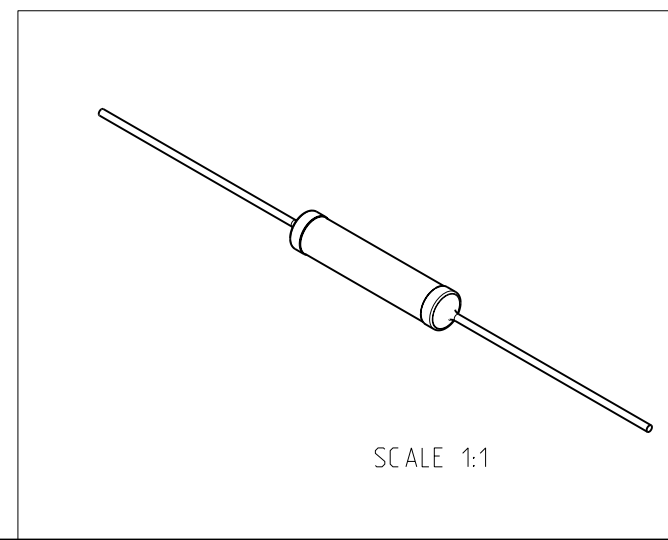
LOC	DIST	REVISIONS			
P	LTR	DESCRIPTION	DATE	DWN	APVD
E	B	BA	NEW RELEASE	04-DEC-08	SM St.P

FOR FURTHER INFORMATION SEE DATA SHEET FOR SERIES HJ-HIGH PRECISION/HIGH VOLTAGE RESISTORS



HJ70	5.5	26.5	1.0	38
HJ65	4.5	14.5	0.8	38
STYLE	D±1.0	L±1.0	d±0.05	l min

RoHS Compliant



<small>THIS DRAWING IS A CONTROLLED DOCUMENT FOR TYCO ELECTRONICS CORPORATION IT IS SUBJECT TO CHANGE AND THE CONTROLLING ENGINEERING ORGANIZATION SHOULD BE CONTACTED FOR THE LATEST REVISION.</small>		DWN SUBHASH.M 04-DEC-08 CHK PRAKASH.S 04-DEC-08 APVD STEPHEN.P 04-DEC-08		Tyco Electronics Corporation Dorcan, Swindon, SN3 5HH	
DIMENSIONS: mm 		TOLERANCES UNLESS OTHERWISE SPECIFIED: 0 PLC ±0.2 1 PLC ±0.1 2 PLC ±- 3 PLC ±- 4 PLC ±- ANGLES ±5°		NAME HIGH PRECISION/HIGH VOLTAGE RESISTORS SERIES HJ PRODUCT SPEC - APPLICATION SPEC - WEIGHT -	
MATERIAL - FINISH -		CUSTOMER DRAWING		SIZE A3 CAGE CODE 00779 DRAWING NO. C-1879099	RESTRICTED TO - SCALE 5:1 SHEET 1 OF 1 REV BA