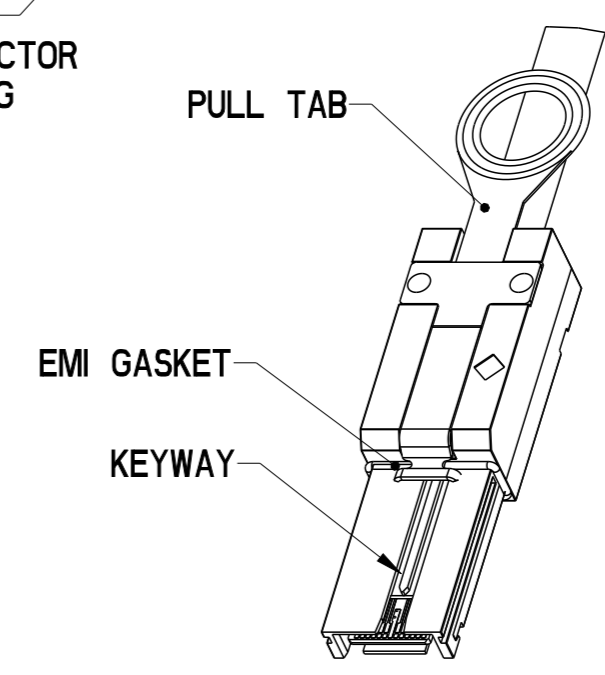


SEE DETAIL A



DETAIL A
KEY SLOTS #2 & #4 SHOWN
SCALE 2:1



Copyright FCI.

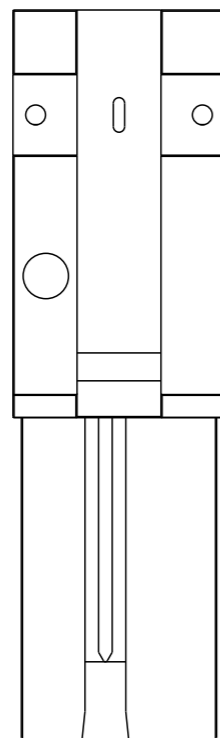
| | | | | | | | | | | |
|---------------|---------------------------------------|-------------|-------------|---|------------|--------|----------|----|------------------------|--------------|
| spec ref | --- | dr | Stu Stoner | 2008/02/05 | projection | MM | size | A3 | scale | 1:1 |
| tolerance std | --- | eng | Tommy Lin | 2012/12/19 | | | ecn no | A3 | rel level | Released |
| --- | TOLERANCES UNLESS OTHERWISE SPECIFIED | chr | - | - | | | | | | |
| surface | ✓ | appr | Roger Cheng | 2012/12/24 | | | cat. no. | - | Product - Customer Drw | sheet 1 of 6 |
| linear | 0.X ±0.3 | | | FINAL CABLE ASSEMBLY-ALTERNATE CABLE Mini SAS 2.0/SATA (CRKT) | | dwg no | 10084749 | | rev | G |
| angular | 0° ±2° | www.fci.com | | - | | - | | - | | |



KEY SLOT 2, 4 & 6
 ○ ◇ UNVERSIAL PORT



KEY SLOT 2 & 4
 ◇ OUT PORT



KEY SLOT 4 & 6
 ○ IN PORT

MINI SAS 2.0

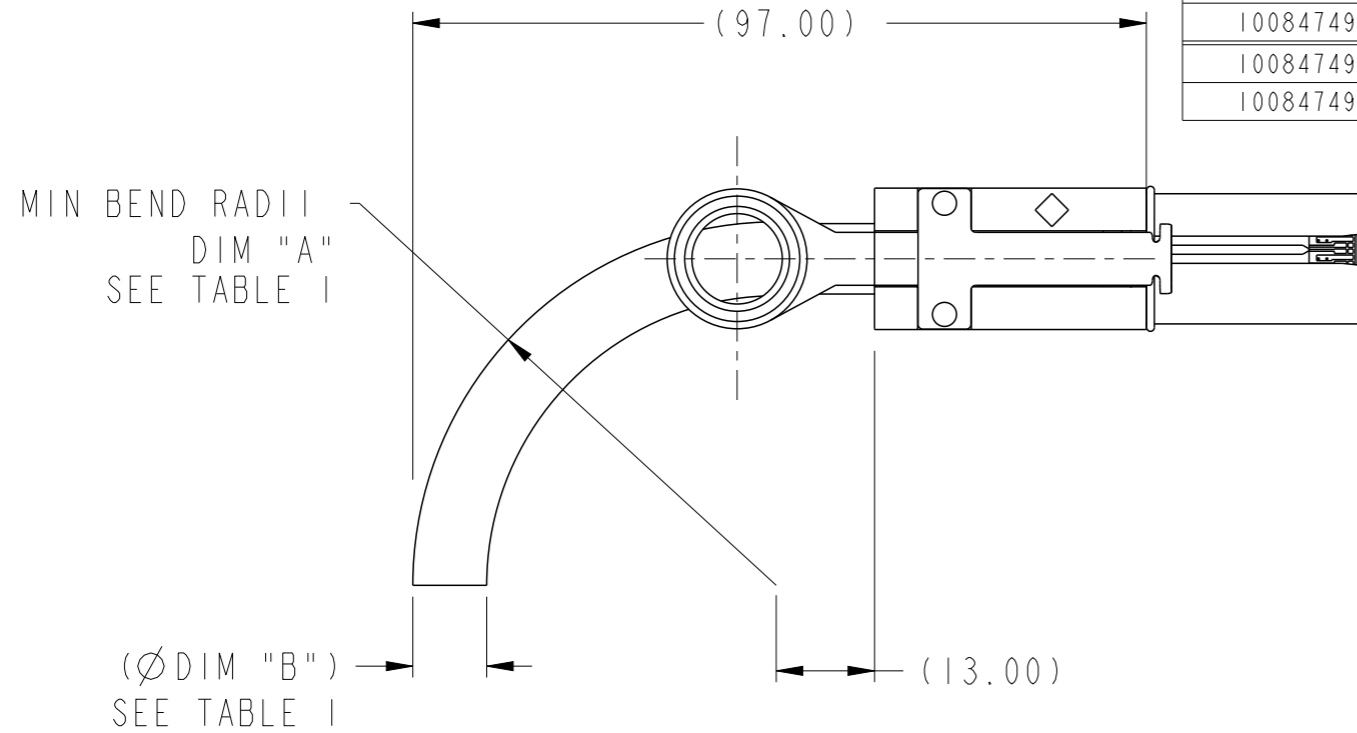
| PRODUCT NUMBER SEE NOTE 4 | DESCRIPTION | GAUGE | "DIM L" LENGTH | END P1 KEY SLOT | END P2 KEY SLOT | IDENTIFIER |
|------------------------------|-----------------------|--------|-------------------|--------------------|--------------------|--|
| 10084749-M060002LF | X4 SAS CABLE ASSEMBLY | 24 AWG | 6M | 4, 6 | 4, 6 | SUBTRACTIVE ROUTING (IN PORT), SAS |
| 10084749-N040002LF | X4 SAS CABLE ASSEMBLY | 26 AWG | 4M | 4, 6 | 4, 6 | |
| 10084749-N050002LF | X4 SAS CABLE ASSEMBLY | 26 AWG | 5M | 4, 6 | 4, 6 | |
| 10084749-P010002LF | X4 SAS CABLE ASSEMBLY | 28 AWG | 1M | 4, 6 | 4, 6 | |
| 10084749-P020002LF | X4 SAS CABLE ASSEMBLY | 28 AWG | 2M | 4, 6 | 4, 6 | |
| 10084749-P030002LF | X4 SAS CABLE ASSEMBLY | 28 AWG | 3M | 4, 6 | 4, 6 | |
| 10084749-M060003LF | X4 SAS CABLE ASSEMBLY | 24 AWG | 6M | 2, 4, 6 | 2, 4, 6 | UNIVERSAL KEY, SAS |
| △G 10084749-N030003LF | X4 SAS CABLE ASSEMBLY | 26 AWG | 3M | 2, 4, 6 | 2, 4, 6 | |
| 10084749-N040003LF | X4 SAS CABLE ASSEMBLY | 26 AWG | 4M | 2, 4, 6 | 2, 4, 6 | |
| 10084749-N050003LF | X4 SAS CABLE ASSEMBLY | 26 AWG | 5M | 2, 4, 6 | 2, 4, 6 | |
| 10084749-P002503LF | X4 SAS CABLE ASSEMBLY | 28 AWG | 0.25M | 2, 4, 6 | 2, 4, 6 | |
| 10084749-P010003LF | X4 SAS CABLE ASSEMBLY | 28 AWG | 1M | 2, 4, 6 | 2, 4, 6 | |
| 10084749-P015003LF | X4 SAS CABLE ASSEMBLY | 28 AWG | 1.5M | 2, 4, 6 | 2, 4, 6 | |
| 10084749-P020003LF | X4 SAS CABLE ASSEMBLY | 28 AWG | 2M | 2, 4, 6 | 2, 4, 6 | |
| 10084749-P025003LF | X4 SAS CABLE ASSEMBLY | 28 AWG | 2.5M | 2, 4, 6 | 2, 4, 6 | |
| 10084749-P030003LF | X4 SAS CABLE ASSEMBLY | 28 AWG | 3M | 2, 4, 6 | 2, 4, 6 | |
| 10084749-M060006LF | X4 SAS CABLE ASSEMBLY | 24 AWG | 6M | 2, 4 | 4, 6 | SAS, TABLE ROUTING (OUT PORT), TO SUBTRACTIVE ROUTING (IN PORT) |
| 10084749-N010006LF | X4 SAS CABLE ASSEMBLY | 26 AWG | 1M | 2, 4 | 4, 6 | |
| 10084749-N030006LF | X4 SAS CABLE ASSEMBLY | 26 AWG | 3M | 2, 4 | 4, 6 | |
| 10084749-N040006LF | X4 SAS CABLE ASSEMBLY | 26 AWG | 4M | 2, 4 | 4, 6 | |
| 10084749-N050006LF | X4 SAS CABLE ASSEMBLY | 26 AWG | 5M | 2, 4 | 4, 6 | |
| 10084749-P010006LF | X4 SAS CABLE ASSEMBLY | 28 AWG | 1M | 2, 4 | 4, 6 | |
| 10084749-P020006LF | X4 SAS CABLE ASSEMBLY | 28 AWG | 2M | 2, 4 | 4, 6 | |
| 10084749-P030006LF | X4 SAS CABLE ASSEMBLY | 28 AWG | 3M | 2, 4 | 4, 6 | |

MINI SAS 2.0 KEYING OPTIONS

| | | | | | | | | | | |
|---------------|---------------------------------------|-------------|-------------|------------|--------------------------------------|------------------------|--------------|---------------|-----------|----------|
| spec ref | --- | dr | Stu Stoner | 2008/02/05 | projection | MM | size | A3 | scale | 1:1 |
| tolerance std | --- | eng | Tommy Lin | 2012/12/19 | | | ecn no | ELX-N-13705-1 | rel level | Released |
| --- | TOLERANCES UNLESS OTHERWISE SPECIFIED | chr | - | - | | | | | | |
| surface | ✓ | appr | Roger Cheng | 2012/12/24 | product family | MiniSAS/SATA | rel level | Released | dwg no | 10084749 |
| linear | 0.X ±0.3 | | | title | FINAL CABLE ASSEMBLY-ALTERNATE CABLE | | rev | G | | |
| | 0.XX ±0.10 | www.fci.com | | cat. no. | - | Product - Customer Drw | sheet 2 of 6 | | | |
| | 0.XXX ±0.050 | | | | | | | | | |
| angular | 0° ±2° | | | | | | | | | |

SATA

| PRODUCT NUMBER SEE NOTE 4 | DESCRIPTION | GAUGE | "DIM L" LENGTH | END P1 KEY SLOT | END P2 KEY SLOT | IDENTIFIER |
|------------------------------|------------------------|--------|-------------------|--------------------|--------------------|---------------|
| 10084749-M060004LF | X4 SATA CABLE ASSEMBLY | 24 AWG | 6M | 1,4 | 1,4 | X CABLE, SATA |
| 10084749-N020004LF | X4 SATA CABLE ASSEMBLY | 26 AWG | 2M | 1,4 | 1,4 | |
| 10084749-N040004LF | X4 SATA CABLE ASSEMBLY | 26 AWG | 4M | 1,4 | 1,4 | |
| 10084749-N050004LF | X4 SATA CABLE ASSEMBLY | 26 AWG | 5M | 1,4 | 1,4 | |
| 10084749-P010004LF | X4 SATA CABLE ASSEMBLY | 28 AWG | 1M | 1,4 | 1,4 | |
| 10084749-P030004LF | X4 SATA CABLE ASSEMBLY | 28 AWG | 3M | 1,4 | 1,4 | |
| 10084749-M060005LF | X4 SATA CABLE ASSEMBLY | 24 AWG | 6M | 7 | 7 | M CABLE, SATA |
| 10084749-N020005LF | X4 SATA CABLE ASSEMBLY | 26 AWG | 2M | 7 | 7 | |
| 10084749-N040005LF | X4 SATA CABLE ASSEMBLY | 26 AWG | 4M | 7 | 7 | |
| 10084749-N050005LF | X4 SATA CABLE ASSEMBLY | 26 AWG | 5M | 7 | 7 | |
| 10084749-P010005LF | X4 SATA CABLE ASSEMBLY | 28 AWG | 1M | 7 | 7 | |
| 10084749-P030005LF | X4 SATA CABLE ASSEMBLY | 28 AWG | 3M | 7 | 7 | |



**BEND RADIUS
(24 AWG SHOWN)**

| CABLE | DIM "A" | DIM "B" |
|--------|---------|-----------|
| 24 AWG | (R46.9) | (Ø 9.5mm) |
| 26 AWG | (R41.7) | (Ø 8.3mm) |
| 28 AWG | (R37.7) | (Ø 7.6mm) |



KEY SLOT 1 & 4
X CABLE, SATA



KEY SLOT 7
M CABLE, SATA

SATA KEYING OPTIONS

| | | | | | | | | | | |
|---------------|---------------------------------------|------|-------------|-------------|---|-----------------|----------|-----------------------|------------------------|--------------|
| spec ref | --- | dr | Stu Stoner | 2008/02/05 | projection | MM | size | A3 | scale | 1:1 |
| tolerance std | --- | eng | Tommy Lin | 2012/12/19 | | | ecn no | ELX-N-13705-1 | rel level | Released |
| --- | TOLERANCES UNLESS OTHERWISE SPECIFIED | chr | - | 2012/12/24 | | | | | | |
| surface | ✓ | appr | Roger Cheng | 2012/12/24 | | | dwg no | 10084749 | rev | G |
| --- | linear | 0.X | ±0.3 | www.fci.com | FINAL CABLE ASSEMBLY-ALTERNATE CABLE Mini SAS 2.0/SATA (CRKT) | | cat. no. | - | Product - Customer Drw | sheet 3 of 6 |
| --- | angular | 0° | ±2° | PDS: Rev :G | | STATUS:Released | | Printed: Dec 24, 2012 | | |

A

B

C

D

A

B

C

D

WIRING LIST SEE NOTE 7



| | | | | | |
|----|-------|-----|-----|-----|-------|
| | GND | A1 | --- | B1 | GND |
| | Rx 0+ | A2 | ← | B2 | Tx 0+ |
| | Rx 0- | A3 | ← | B3 | Tx 0- |
| | GND | A4 | --- | B4 | GND |
| | Rx 1+ | A5 | ← | B5 | Tx 1+ |
| | Rx 1- | A6 | ← | B6 | Tx 1- |
| | GND | A7 | --- | B7 | GND |
| | Rx 2+ | A8 | ← | B8 | Tx 2+ |
| | Rx 2- | A9 | ← | B9 | Tx 2- |
| | GND | A10 | --- | B10 | GND |
| | Rx 3+ | A11 | ← | B11 | Tx 3+ |
| | Rx 3- | A12 | ← | B12 | Tx 3- |
| | GND | A13 | --- | B13 | GND |
| P1 | GND | B1 | --- | A1 | GND |
| | Tx 0+ | B2 | → | A2 | Rx 0+ |
| | Tx 0- | B3 | → | A3 | Rx 0- |
| | GND | B4 | --- | A4 | GND |
| | Tx 1+ | B5 | → | A5 | Rx 1+ |
| | Tx 1- | B6 | → | A6 | Rx 1- |
| | GND | B7 | --- | A7 | GND |
| | Tx 2+ | B8 | → | A8 | Rx 2+ |
| | Tx 2- | B9 | → | A9 | Rx 2- |
| | GND | B10 | --- | A10 | GND |
| | Tx 3+ | B11 | → | A11 | Rx 3+ |
| | Tx 3- | B12 | → | A12 | Rx 3- |
| | GND | B13 | --- | A13 | GND |
| | | | | | P2 |



Copyright FCI.

| | | | | | | | | | | |
|---------------|---------------------------------------|-------------|-------------|--|----------------|------------------------|--------|---------------|-----------|----------|
| spec ref | --- | dr | Stu Stoner | 2008/02/05 | projection | MM | size | A3 | scale | 1:1 |
| tolerance std | --- | eng | Tommy Lin | 2012/12/19 | | | ecn no | ELX-N-13705-1 | rel level | Released |
| --- | TOLERANCES UNLESS OTHERWISE SPECIFIED | chr | - | - | | | | | | |
| surface | ✓ | appr | Roger Cheng | 2012/12/24 | product family | MiniSAS/SATA | | | | |
| linear | 0.X ±0.3 | | | title FINAL CABLE ASSEMBLY-ALTERNATE CABLE Mini SAS 2.0/SATA (CRKT) | | dwg no 10084749 | | rev G | | |
| linear | 0.XX ±0.10 | | | | | | | | | |
| linear | 0.XXX ±0.050 | www.fci.com | | cat. no. | | Product - Customer Drw | | sheet 4 of 6 | | |
| angular | 0° ±2° | | | | | | | | | |

NOTES:

- ① - MATERIAL:
 BACK SHELLS: ZINC DIECAST
 PULL TAB: MOLDED THERMOPLASTIC
 LATCH: STAINLESS STEEL
 JET MELT: POLYAMIDE POLYMER
- 2 - ELECTRICAL PERFORMANCE PER CURRENT REVISION
 OF SERIAL ATA, T10/I760-D (SAS-2 REQUIREMENTS).
- ③ - THIS PRODUCT MEETS THE RESTRICTION OF HAZARDOUS SUBSTANCES IN
 ELECTRICAL AND ELECTRONIC EQUIPMENT (RoHS) DIRECTIVE (2002/95/EC)

4 - PART NUMBER DESCRIPTION

10084749 - X XX XX XX LF



- ⑤ - UNLESS OTHERWISE SPECIFIED ASSEMBLED LENGTH TOLERANCE IS TO BE:
 < 1 METER = $\pm 25.0\text{mm}$
 > 1 METER TO 6 METERS = $\pm 2\%$ OF "DIM L"

| | | | | | | | | | | | | | | | |
|---------------|---------------------------------------|---------|-------------|---------------|-------------|-------|--------------------------------------|----------------|--------------|-----------|------------------------|--------------|--------|----------|--|
| spec ref | --- | dr | Stu Stoner | 2008/02/05 | projection | MM | size | A3 | scale | 1:1 | | | | | |
| tolerance std | --- | eng | Tommy Lin | 2012/12/19 | | ← → | ecn no | ELX-N-13705-1 | | | | | | | |
| --- | TOLERANCES UNLESS OTHERWISE SPECIFIED | chr | - | - | | | | product family | MiniSAS/SATA | rel level | Released | | | | |
| --- | | appr | Roger Cheng | 2012/12/24 | | | rev | 10084749 | | G | | | | | |
| surface | ✓ | linear | 0.X | ± 0.3 | | title | FINAL CABLE ASSEMBLY-ALTERNATE CABLE | | cat. no. | - | Product - Customer Drw | sheet 5 of 6 | | | |
| | | | 0.XX | ± 0.10 | | | Mini SAS 2.0/SATA (CRKT) | | | | | | dwg no | 10084749 | |
| | | | 0.XXX | ± 0.050 | | | | | | | | | rev | G | |
| --- | | angular | 0° | $\pm 2^\circ$ | www.fci.com | | | | | | | | | | |



Copyright FCI.

NOTES CONTINUED:

- ⑥ - UNLESS OTHERWISE SPECIFIED LABEL POSITION IS TO BE 50mm FROM REAR OF CONNECTOR.
 LABEL DETAILS:
 MANUFACTURER CODE OR NAME
 CUSTOMER P/N OR FCI P/N
 REVISION
 DATE CODE (YY/MM/DD FORMAT) - SERIAL NUMBER
 COUNTRY ORIGIN

 FONT SHALL BE CLEARLY VISIBLE AND BLACK IN COLOR.
- ⑦ - ALL CABLE ASSEMBLIES SHALL BE 100% TESTED FOR CONTINUITY AS DEFINED IN WIRING LIST.
- ⑧ - UNLESS OTHERWISE SPECIFIED ALL CABLE ASSEMBLIES SHALL BE 100% HI-POT TESTED BY APPLYING 300V DC FOR A MINIMUM OF 10ms, UNLESS ACTIVE COMPONENTS ARE USED IN THIS ASSEMBLY.
- 9 - OTHER TESTING PERFORMED AS REQUIRED BY PRODUCT SPECIFICATION: GS-12-548.
- 10 - PACKAGING OF LEAD FREE PRODUCTS MEETS LABELING AND PACKAGING PER SPECIFICATION GS-14-920. PACKAGE CABLE ASSEMBLIES PER GS-14-1272.
- 11. THIS DIMENSION IS A FINISHED PRODUCT LENGTH.
- 12. A "△" SYMBOL WILL BE NEXT TO ANY DIMENSION, VIEW, OR NOTE WHICH HAS BEEN MODIFIED WITH THE CURRENT DRAWING REVISION. THE CURRENT REVISION WILL BE SHOWN IN THE SYMBOL.



Copyright FCI.

| | | | | | | | | | | | | |
|---------------|--|---------------------------------------|-------|--------|-------------|---|--------------------|----------|------------------------|--------------|---------------|----------|
| spec ref | | --- | | dr | Stu Stoner | 2008/02/05 | projection | MM | size | A3 | scale | 1:1 |
| tolerance std | | --- | | eng | Tommy Lin | 2012/12/19 | | | ecn no | | ELX-N-13705-1 | |
| --- | | TOLERANCES UNLESS OTHERWISE SPECIFIED | | chr | - | - | | | product family | MiniSAS/SATA | rel level | Released |
| surface | | linear | 0.X | ±0.3 | | title FINAL CABLE ASSEMBLY-ALTERNATE CABLE Mini SAS 2.0/SATA (CRKT) | dwg no 10084749 | rev G | rel level | | Released | |
| | | | 0.XX | ±0.10 | | | | | cat. no. | | - | |
| | | | 0.XXX | ±0.050 | | | | | Product - Customer Drw | | sheet 6 of 6 | |
| --- | | angular | 0° | ±2° | www.fci.com | | | | | | | |