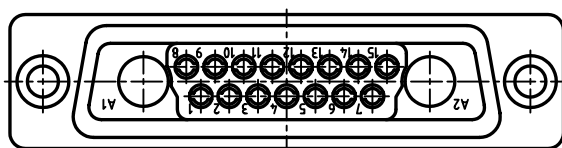
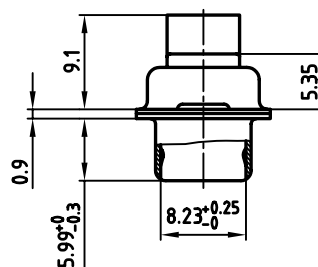
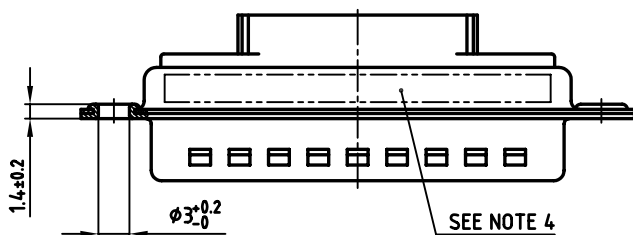
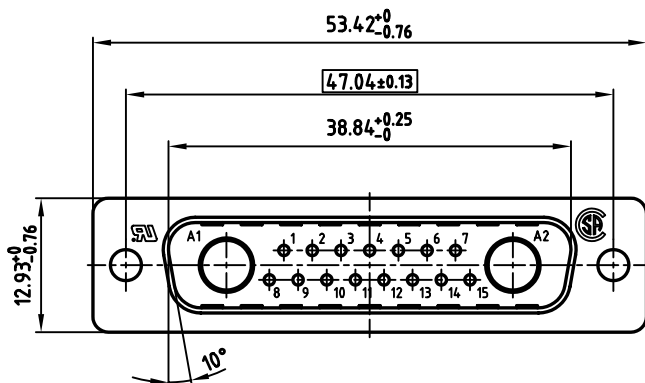


used for: D-SUB COMBINATION CRIMP



NOTES:

1. METAL SHELLS: STEEL; TIN PLATED
2. INSULATORS: PBT GF UL 94 V-0; BLACK
3. = CRITICAL DIMENSION: SPC
4. CONNECTOR IS PART MARKED: PART NO: CONEC Y/WW



THIS DRAWING MAY NOT BE COPIED OR REPRODUCED IN ANY WAY, AND MAY NOT BE PASSED ON TO A THIRD PARTY, WITHOUT WRITTEN PERMISSION. OWNERSHIP AND COPYRIGHT OF CONEC GMBH DO NOT ALTER CAD DRAWING BY HAND

rev.	description	date	name

tolerance	
1999	date
drawn	06.05. Barcinski
appd.	06.05. Mickenbecker
norm	DIN 41652
d-old	

scale:	2:1
material:	SEE NOTES
title:	D-SUB COMBINATION MALE CRIMP STYLE 17W2P
dwg no:	AutoCAD/REL.14 DIN-A
	13K11P7A 3 sh: 1/1
part no:	3017W2PXK99A10X