

ARK-2150L

3rd Generation Intel® Core™ i3/i7 with Dual Independent Display Fanless Box PC

NEW



susiAccess iManager



Specifications

| | | ARK-2150L-S4A1E | ARK-2150L-S6A1E | ARK-2150L-S7A1E |
|-----------------------|----------------------------|--|--------------------------|--|
| Processor System | CPU | Intel Celeron 1047UE | Intel ULV Core i3 3217UE | Intel ULV Core i7 3517UE |
| | Frequency | Dual Core 1.4 GHz | Dual Core 1.6 GHz | Dual Core 1.7 GHz (Max Turbo Frequency 2.8 GHz) |
| | L3 Cache | 2 MB | 3 MB | 4 MB |
| | System Chipset | Intel QM77 | | |
| | BIOS | AMI EFI 64Mbit | | |
| Memory | Technology | DDR3 1600MHz, DDR3L 1333 MHz | | |
| | Max. Capacity | 8 GB | | |
| | Socket | 1 x 204-pin SO-DIMM | | |
| Graphics | Chipset | Intel QM77 Integrated GFX Gen 7 | | |
| | Graphic Engine | DirectX11, OpenGL 3.1, and Open CL 1.1 Hardware decode acceleration: AVC/H.264, M PEG-2, VC-1 | | |
| | VGA | Integrated 340.4MHz RAMDAC, Max resolution up to 2048 x 1536 @ 75Hz | | |
| | HDMI/DP* | Supports HDMI 1.4 for HD Video playback (no hotplug support) Max resolution up to 2560 x 1600 @ 60Hz on DisplayPort*, Max resolution up to 1920 x 1200 @ 60Hz on HDMI | | |
| Ethernet | Dual Display | Yes, VGA + HDMI or VGA + DisplayPort* | | |
| | LAN1 | 10/100/1000 Mbps Intel 82579LM GbE, support Wake On Lan | | |
| Audio | LAN2 | 10/100/1000 Mbps Intel 82583V GbE, support Wake On Lan | | |
| | Interface | Realtek ALC892, High Definition Audio. Line-out, Mic-in, Line-in | | |
| I/O Interface | Serial Ports | 2 x RS-232 ports, 2 x RS-232/422/485 port with auto flow control | | |
| | USB Interface | 2 x USB 3.0 ports and 4 x USB 2.0 ports | | |
| Other | Digital I/O | 8-bits programmable general purpose input/output | | |
| | Watchdog timer | 255 levels timer interval, setup by software | | |
| Expansion | Mini PCIe | 2 x Full-size Mini PCIe (One supports mSATA & the other with SIM holder) 1 x Half-size Mini PCIe | | |
| | HDD | Supports one SATA 2.5" SATA HDD Bay (Compatible with 12.5mm height HDD) (Max. Data Transfer Rate 600 MB/s) | | |
| Storage | SSD | Supports one internal mSATA socket | | |
| | Microsoft Windows | Windows 7, Windows 7 Embedded, XP Professional, XP Embedded | | |
| Software Support | Linux | Ubuntu 12.04 | | |
| | Power Type | AT/ATX | | |
| Power Requirement | Power Input Voltage | 12 V _{DC} , ± 10% | | |
| | Minimum Power Input | 12 V, 4 A | | |
| | Power Adapter | AC to DC, DC12 V/5 A, 60 W (Optional) | | |
| Power Consumption | Typical | 9.6 Watt (with Intel Core i7 3517UE CPU and 2 GB memory) | | |
| | Max. | 24.96 Watt (with Intel Core i7 3517UE CPU and 2 GB memory) | | |
| Mechanical | Construction | Aluminum housing | | |
| | Mounting | Din-Rail mounting, Desk/wall-mounting, VESA mounting | | |
| | Dimensions (W x H x D) | 264.5 x 75.1 x 133.0 mm (10.41" x 2.96" x 5.24") | | |
| | Weight | 2.3 kg (5.07 lb) | | |
| Environment | Operating Temperature | With extended temperature peripherals: -20 ~ 60° C (-4 ~ 140° F) with 0.7m/s air flow With 2.5-inch hard disk 0 ~ 45° C (32 ~ 112° F) with 0.7m/s air flow | | |
| | Storage Temperature | -40 ~ 85° C (-40 ~ 185° F) | | |
| | Relative Humidity | 95% @ 40° C (non-condensing) | | |
| | Vibration During Operation | With SSD: 5 Grms, IEC 60068-2-64, random, 5 ~ 500 Hz, 1 hr/axis. | | |
| | Shock During Operation | With SSD: 50 G, IEC 60068-2-27, half sine, 11 ms duration | | |
| | EMC | CE/FCC Class A, CCC, BSMI | | |
| Safety Certifications | UL, CCC, BSMI | | | |

*DisplayPort function is supported by project (no hotplug support)

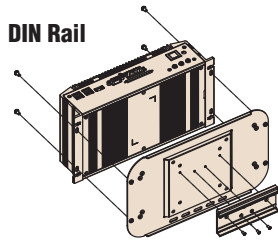
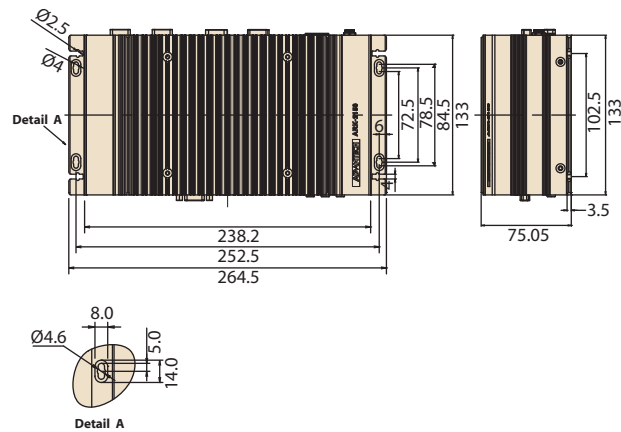
ADVANTECH

Fanless Embedded Box PCs

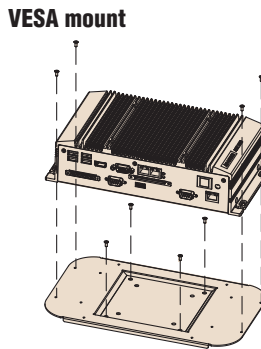
All product specifications are subject to change without notice

Last updated : 20-Apr-2016

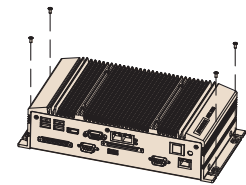
Dimensions



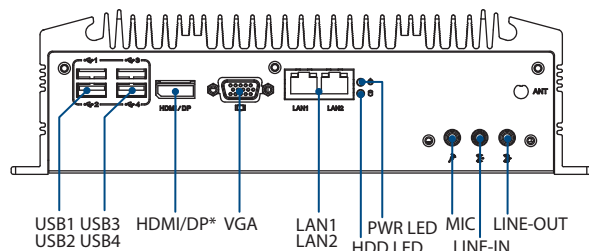
Unit: mm



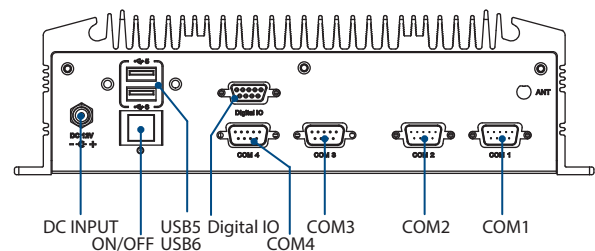
Wall mount



Front Panel External I/O Mechanical Layout/Drawing



Rear Panel External I/O Mechanical Layout/Drawing



Ordering Information

| Part No. | CPU | RAM | VGA | HDMI/DP* | GbE | USB 3.0 | USB 2.0 | RS-232 | RS-232/422/485 | DIO | Half-size Mini PCIe | Full-size Mini PCIe | SIM | 2.5" SATAIII HDD Bay | Power Input | Operation Temp. | OS |
|------------------|---------------------------------|--------------|-----|----------|-----|---------|---------|--------|----------------|--------|---------------------|---------------------|-----|----------------------|------------------------------|-----------------|------------------------------------|
| ARK-2150L-S4A1E | Intel Celeron 1.4GHz 1047UE | upto 8GB | Yes | Yes | 2 | 2 | 4 | 2 | 2 | 8-bits | 1 | 2 | 1 | 1 | DC 12V Lockable DC Jack | -20 ~ 60° C | - |
| ARK-2150L-S6A1E | Intel Core i3 ULV 1.6GHz 3217UE | upto 8GB | Yes | Yes | 2 | 2 | 4 | 2 | 2 | 8-bits | 1 | 2 | 1 | 1 | DC 12V Lockable DC Jack | -20 ~ 60° C | - |
| ARK-2150L-S7A1E | Intel Core i7 ULV 1.7GHz 3517UE | upto 8GB | Yes | Yes | 2 | 2 | 4 | 2 | 2 | 8-bits | 1 | 2 | 1 | 1 | DC 12V Lockable DC Jack | -20 ~ 60° C | - |
| ARK-2150LS-S7A1E | Intel Core i7 ULV 1.7GHz 3517UE | 4GB built in | Yes | Yes | 2 | 2 | 4 | 2 | 2 | 8-bits | 1 | 2 | 1 | 500GB HDD built in | DC 12V 1757004339-01 bundled | 0 ~ 45° C | WES7E 64 bit built-in ENG/JP/TC/SC |

Note: Memory, storage and operating system bundled by request.
*DP function is supported by project.

Packing List

| Part Number | Description |
|-------------|--------------------------------------|
| - | 1 x ARK-2150 Unit |
| - | 1 x Utility CD |
| - | 1 x User Manual (Simplified Chinese) |
| - | 1 x China RoHS |

Optional Items

| Part Number | Description |
|----------------|--|
| 96PSA-A60W12W6 | AC to DC Adaptor, DC 12V/5A 60W, with lock |
| 1702002600 | Power cable 3-pin 180cm, USA type |
| 1702031801 | Power cable 3-pin 180cm, UK type |
| 1702002605 | Power cable 3-pin 180cm, EU type |
| 1700000237 | Power cable 3-pin 180cm, with PSE |
| AMK-V004E | VESA mounting kit |
| AMK-R004E | DIN-rail mounting kit |

Embedded OS

| Part Number | Description |
|-------------|--------------------------------------|
| 2070011831 | Image WES7E SP1 x32 ENG/JP/TC/SC |
| 2070011830 | Image WES2009 V4.2 multi 24 language |