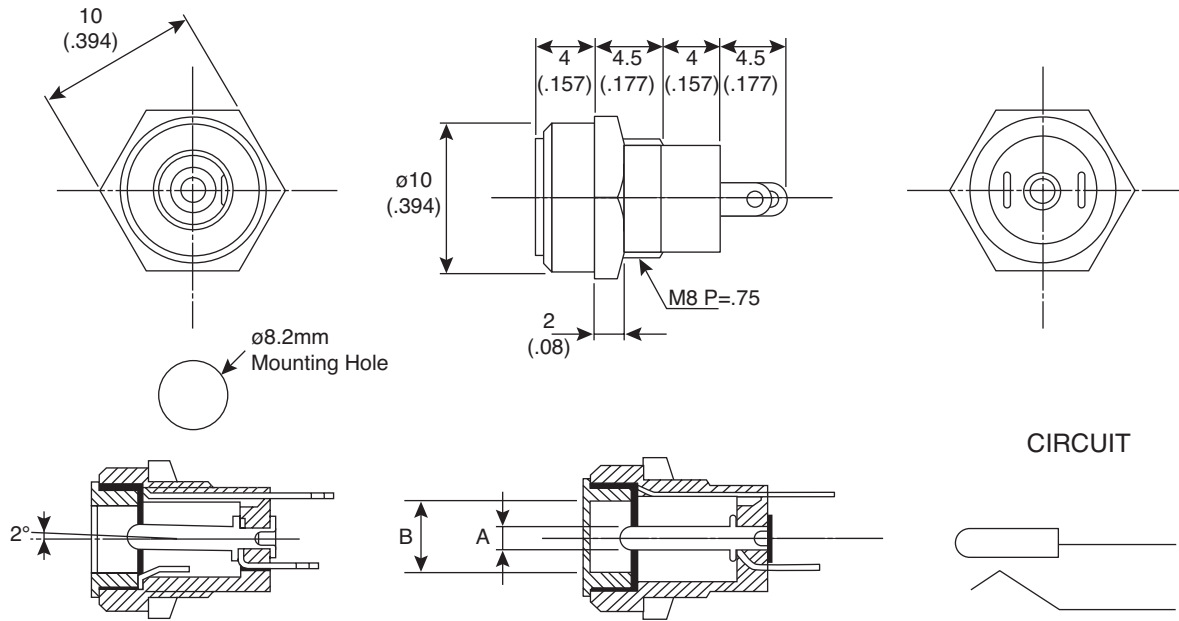


# DC Power Jacks

163-4007-EX, 163-4012-EX, 163-4015-EX,  
163-4018-EX, 163-4118-EX



DC Power Jacks 163-4007-EX, 163-4012-EX, 163-4015-EX, 163-4018-EX, 163-4118-EX



**DIMENSIONS: mm (IN)**

SPECIFICATIONS	
<b>Rating:</b>	163-4007-EX= 3.15VDC 2A 163-4012-EX= 12VDC 0.5A 163-4015-EX= 12VDC 0.5A 163-4018-EX= 6.3VDC 2A 163-4118-EX= 10.5VDC 2A
<b>Withstand Voltage:</b>	500VAC for 1 minute
<b>Insulation Resistance:</b>	500VDC / 100MΩ min.
<b>Terminals:</b>	Nickel Plated Brass
<b>Body:</b>	PA
RoHS Compliant by Exemption	

**Special Note**  
Offset pin is designed to maintain pressure between plug and jack

MOUSER STOCK NO.	A (mm)	B (mm)
163-4007-EX	ø0.65	ø2.5
163-4018-EX	ø1.65	ø4.4
163-4118-EX	ø1.65	ø5
163-4015-EX	ø1.3	ø3.6
163-4012-EX	ø1.3	ø4.0

Date Last Revised: 9-19-06

**Available from Mouser Electronics**  
**1-800-346-6873**  
**www.mouser.com**

KC-300849