

ebm-papst Mulfingen GmbH & Co. KG

Bachmühle 2 · D-74673 Mulfingen

Phone +49 7938 81-0

Fax +49 7938 81-110

info1@de.ebmpapst.com

www.ebmpapst.com

Limited partnership · Headquarters Mulfingen

County court Stuttgart · HRA 590344

General partner Elektrobau Mulfingen GmbH · Headquarters Mulfingen

County court Stuttgart · HRB 590142

Nominal data

Type	M2D068-CF02-07	
Motor	M2D068-CF	
Nominal voltage	VAC	380
Connection		Y
Frequency	Hz	50
Type of data definition		me
Valid for approval / standard		CE
Speed	min ⁻¹	2600
Power input	W	90
Power output	W	57
Current draw	A	0.17
Rated torque	Ncm	21
Medium start-up torque	Ncm	48.5
Max. ambient temperature	°C	70
Starting current	A	0.46

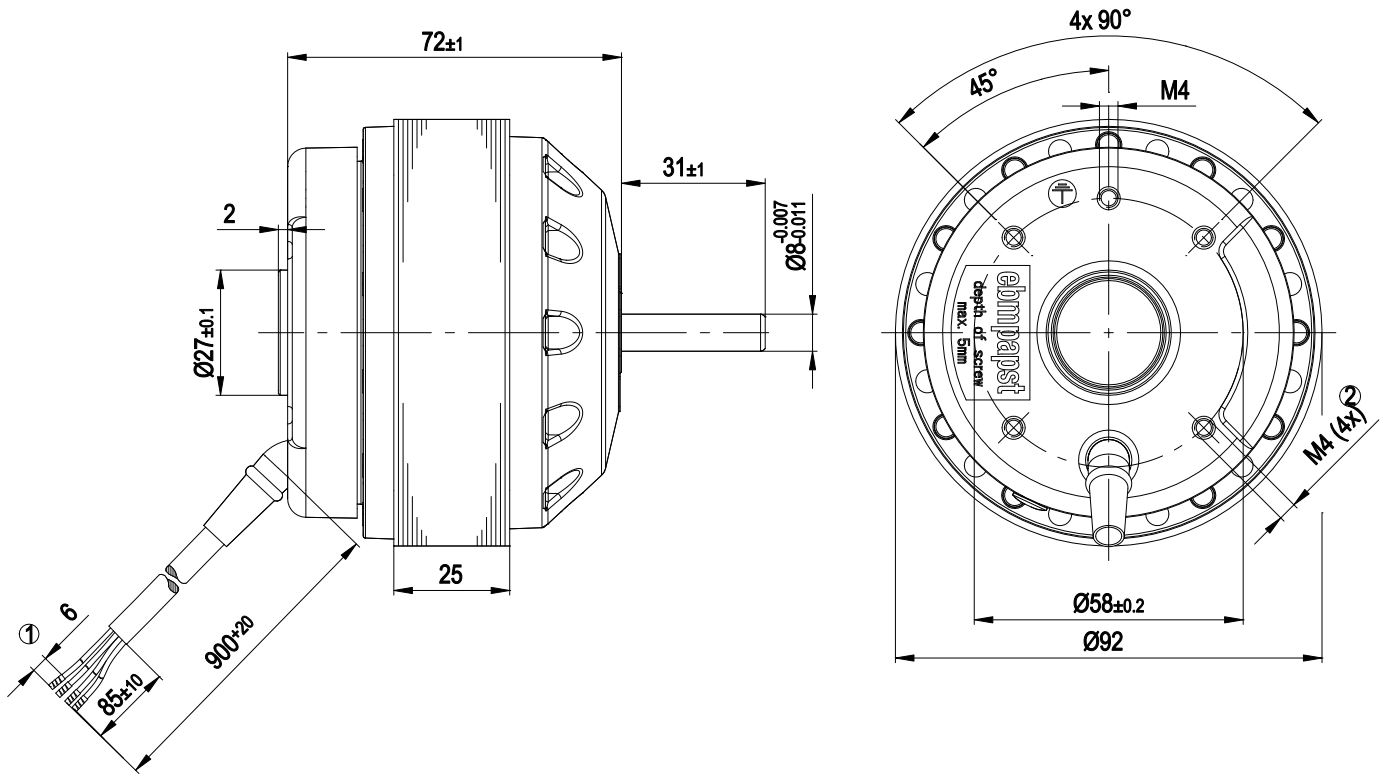
ml = max. load · me = max. efficiency · fa = running at free air · cs = customer specs · cu = customer unit
 Subject to alterations



Technical features

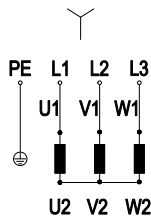
Mass	1.5 kg
Size	68 mm
Surface of rotor	Coated in black
Direction of rotation	Clockwise, seen on rotor
Type of protection	IP 44; Depending on installation and position
Insulation class	"B"
Humidity class	F0
Max. permissible ambient motor temp. (transp./ storage)	+ 80 °C
Min. permissible ambient motor temp. (transp./storage)	- 40 °C
Mounting position	Shaft horizontal or rotor on top; rotor on bottom on request
Condensate discharge holes	None
Operation mode	S1
Motor bearing	Ball bearing
Touch current acc. IEC 60990 (measuring network Fig. 4, TN system)	< 0.75 mA
Cable exit	Axial
Protection class	I (if protective earth is connected by customer)
Product conforming to standard	EN 60335-1

Product drawing



- | | |
|---|---|
| 1 | Connection line PVC 4G 0.5 mm ² , 4x brass lead tips crimped |
| 2 | Depth of screw max. 5 mm |

Connection screen



Y	Star connection	L1	black	L2	blue
L3	brown	PE	green/yellow		

Charts: Speed

