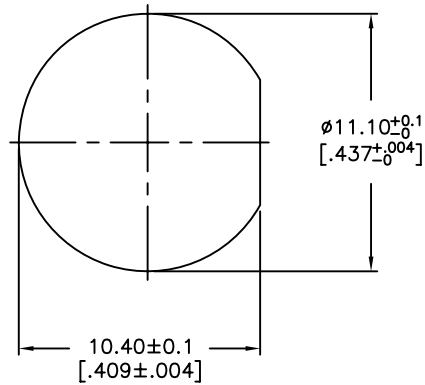
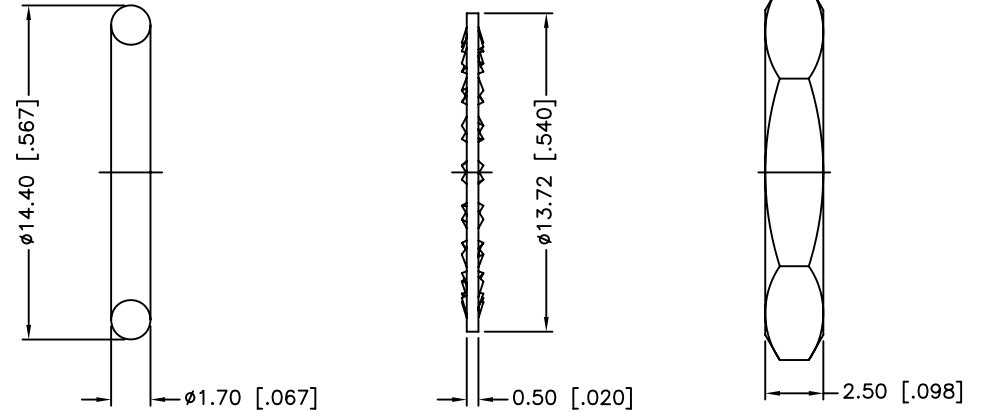
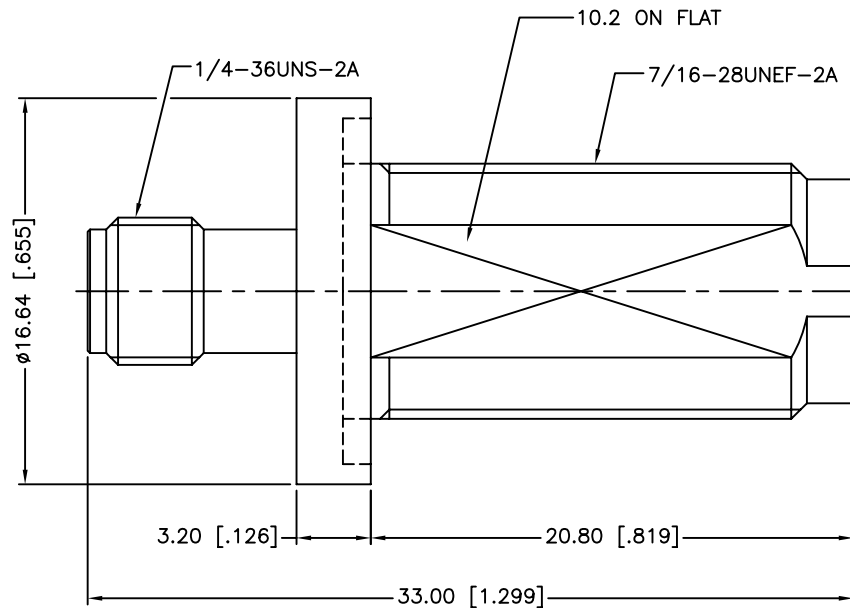
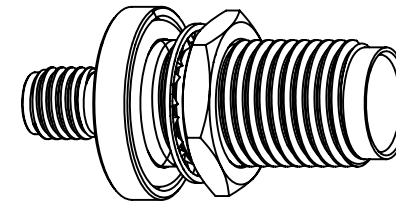


| REV. | DATE     | ECR NO. | DESCRIPTION  |
|------|----------|---------|--|
| NC   | 07/21/11 | XXXXXX  | INITIAL RELEASE                                      |
| A    | 02/24/14 | 2701    | ADD IP-67/68 TESTING DETAILS, UPDATED DRAWING FORMAT |



RECOMMENDED MOUNTING HOLE



1. IMPEDANCE: 50 OHM
2. FREQUENCY RANGE: 0-11 GHZ
3. DIELECTRIC WITHSTANDING VOLTAGE: 1000 VRMS, MIN.
4. DURABILITY: 500 CYCLES MIN.
5. TEMPERATURE RANGE: -65°C TO +165°C
6. SEALING REQUIREMENT: IP-68 MUST WITHSTAND 3M SUBMERSION TEST FOR 24 HOURS WITHOUT ANY SIGNS OF LEAKAGE
7. MAX. PANEL THICKNESS=7.6 MM

| QTY | DESCRIPTION    | MATERIAL        | FINISH  | QTY |
|-----|----------------|-----------------|---------|-----|
| 1   | HEX NUT        | BRASS           | NICKEL  | 1   |
| 1   | LOCK WASHER    | PHOSPHOR BRONZE | NICKEL  | 1   |
| 1   | GASKET         | SILICONE RUBBER | RED     | 1   |
| 1   | RETAINING RING | BRASS           | NICKEL  | 1   |
| 1   | CONTACT PIN    | BER. COPPER     | GOLD    | 1   |
| 1   | O-RING         | SILICONE RUBBER | RED     | 1   |
| 1   | INSULATOR      | PTFE            | NATURAL | 1   |
| 1   | BODY           | BRASS           | NICKEL  | 1   |

UNLESS OTHERWISE SPECIFIED DIMENSIONS ARE IN MILLIMETERS. DIMENSIONS IN [ ] ARE IN INCHES AND FOR CUSTOMER REFERENCE ONLY.  
 UNLESS OTHERWISE SPECIFIED  
 TOLERANCES FOR MILLIMETERS ARE:  
 <math>< 0.5 \pm 0.05\text{mm}</math>  
 <math>0.5 - 6\text{mm} \pm 0.10\text{mm}</math>  
 <math>6 - 30\text{mm} \pm 0.20\text{mm}</math>  
 <math>30 - 120\text{mm} \pm 0.30\text{mm}</math>  
 ANGLES  $\pm 1^\circ$   
 UNLESS OTHERWISE SPECIFIED  
 TOLERANCES FOR INCHES ARE:  
 <math>< .020 \pm 0.002''</math>  
 <math>.020 - .236 \pm 0.004''</math>  
 <math>.236 - 1.180 \pm 0.007''</math>  
 <math>1.180 - 4.724 \pm 0.012''</math>  
 ANGLES  $\pm 1^\circ$   
 DO NOT SCALE DRAWING

| APPROVALS               | DATE     |
|-------------------------|----------|
| DRAWN M.ZHANG           | 02/24/14 |
| CHECKED                 |          |
| ISSUED                  |          |
| SHEET 1 OF 1            |          |
| CAD FILE                |          |
| C:/CONNEX/242178-10.DWG |          |

|  |               |       |    |
|--|---------------|-------|----|
| <b>Amphenol Connex</b>                                     |               |       |    |
| PART DESCRIPTION   |               |       |    |
| SMA FEMALE TO TNC BULKHEAD FEMALE ADAPTOR, IP-68 COMPLIANT |               |       |    |
| PART NO.   |               |       |    |
| 242178-10  |               |       |    |
| DWG. NO.   | 242178-10.DWG | REV.  | A  |
| SIZE   | A             | SCALE | NA |