

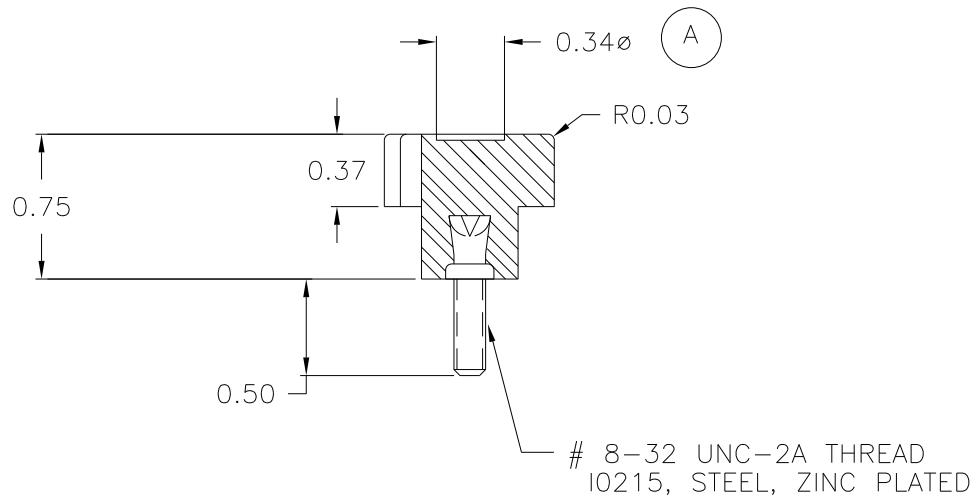
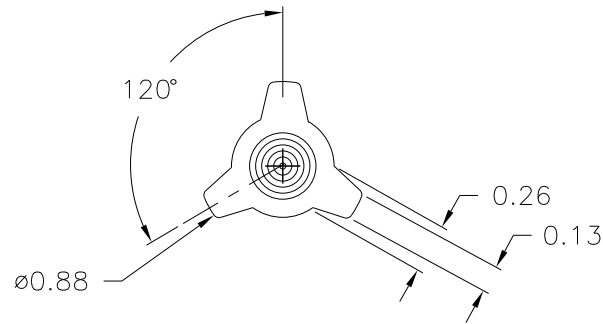
PART NAME: KNOB SCALE: 1:1 DATE: 10/25/85 DR. BY HD

THIS DRAWING IS THE PROPERTY OF DAVIES MOLDING COMPANY, IS SUBMITTED SOLELY AS A DESIGN OR ENGINEERING PROJECT. WE ACCEPT NO RESPONSIBILITY WHATSOEVER FOR THE PRACTICAL APPLICATION OF THE PIECES MADE TO THIS DESIGN.



DESIGNERS & MANUFACTURERS OF KNOBS, HANDLES, CASES & CUSTOM PLASTIC COMPONENTS

P/N	3022-D
MOLD NO.	1475
CAVITY	3022
PLUNGER	3022
PLUNGER PIN	3022
PINS	3003-13
SHIMS	1/4+1/4+.047
PIN BAR	1475
INSERT	I0215
PLUNGER KEY	1/4x1/4x7/16
CAVITY KEY	1/4x1/4x1/2



MATERIAL: G.P. PHENOLIC (B11)
COLOR: BLACK

TOLERANCES: UNLESS OTHERWISE SPECIFIED	DO NOT SCALE DRAWING				
DECIMALS: X.XXX ± .005 X.XX ± .015	MM: X.XX ± 0.15MM X.X ± 0.4MM	A	WAS 1/4 DIA.	HD	5/15/98
FRACTIONS ± 1/64	ANG. ± 1°	-	CAD/REDRAWN	HD	3/26/93
CHANGES					