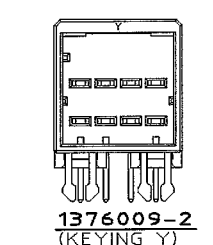
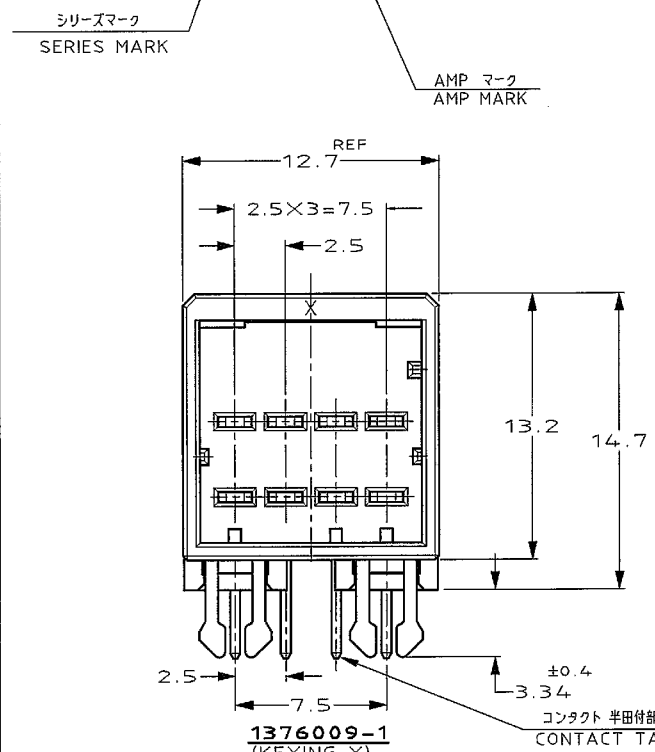
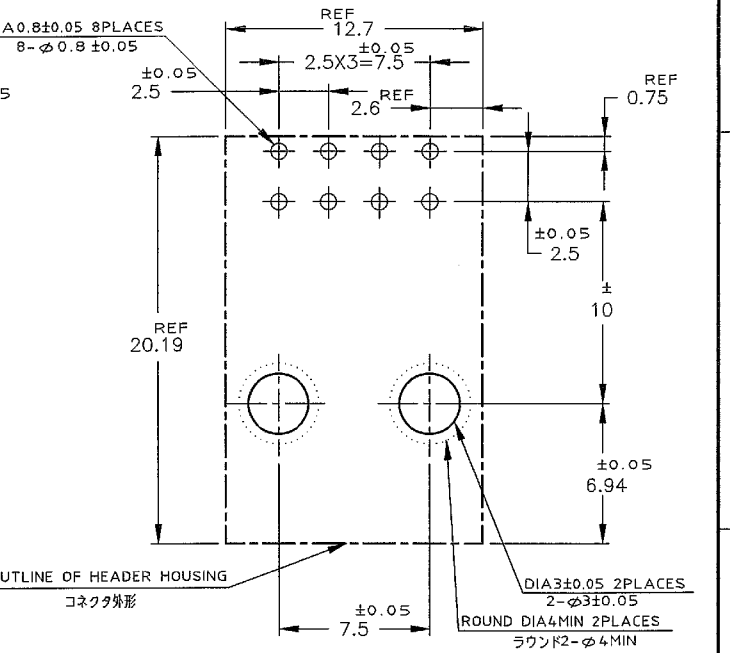
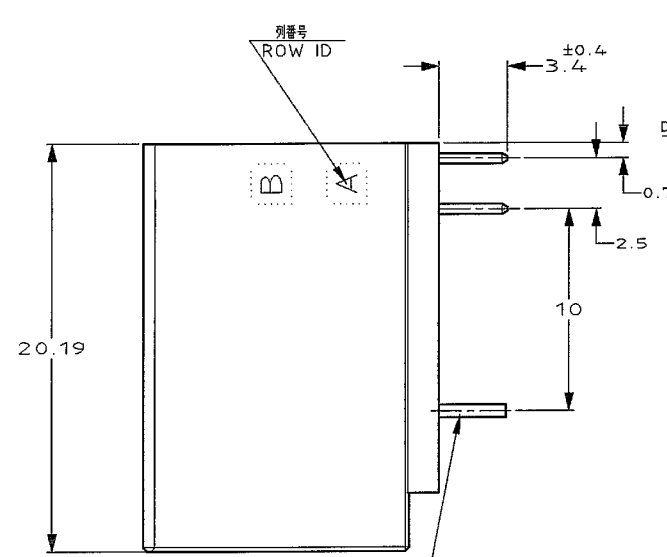
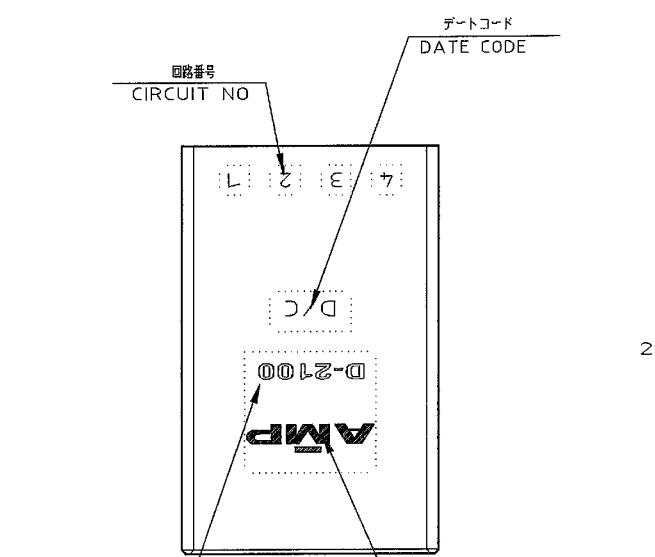


REVISIONS						
P	LTR	DESCRIPTION	ECN	DATE	DWN	APVD
O		RELEASED	FJ00-1755-99	28 FEB '00	K.I.H.	
A		REVISED	FJ00-1802-02	5 SEP '02	T.S.S.M	
B		REVISED	FJD0-0039-03	6/2 '03	T.S.S.M	



推奨基板取付け寸法 (公差: ±0.05)
PC 基板厚: 1.6±0.3 (コネクタ搭載面)

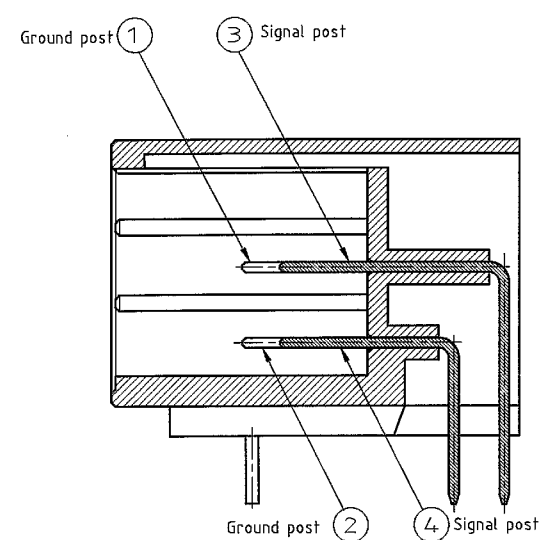
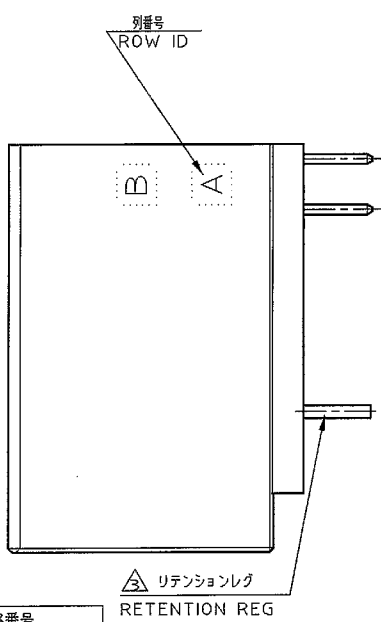
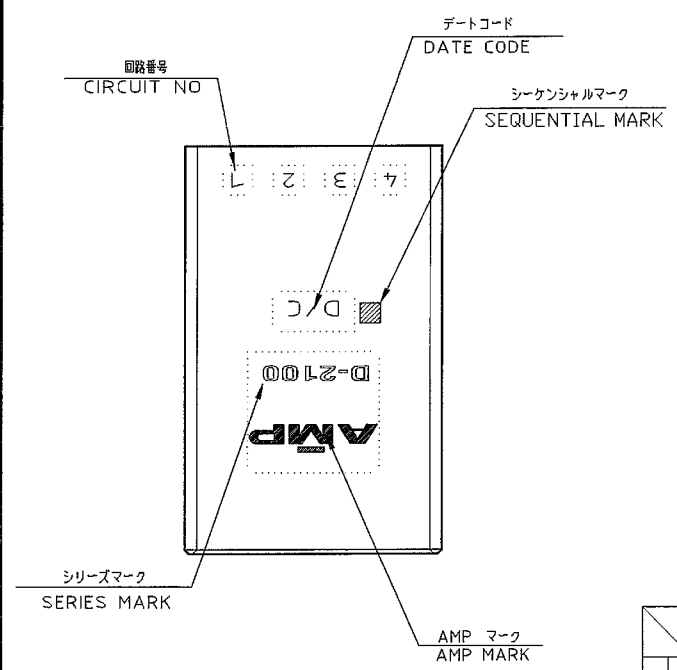
RECOMMENDED PC BOARD HOLE PATTERN (TOL: ±0.05)
PC BOARD THICKNESS: 1.6±0.3 (CONNECTOR MOUNT SIDE)

- NOTES
- MATERIAL: HOUSING: GLASS FILLED THERMO PLASTIC, POLYESTER (94V-0), COLOR: BLACK
TAB CONTACT: COPPER ALLOY
RETENTION LEG: BRASS
 - FINISH (CONTACT AREA): 0.38μM MIN GOLD PLATING OVER NI PLATING
 - FINISH (RETENTION LEG): TIN PLATED (CONTACT TAIL) OVER NICKEL

- 注記
- 材料: ハウジング: ガラス入り熱可塑性ポリエステル樹脂 (94V-0), 色: 黒
タブコンタクト: 銅合金
リテンションレグ: 黄銅
 - めっき: コンタクト: 全面Ni下地 接触部: 0.38μm MIN 金めっき
 - めっき: リテンションレグとコンタクト半田付部: ニッケル下地の上にスズめっき

THIS DRAWING IS A CONTROLLED DOCUMENT FOR AMP INCORPORATED. IT IS SUBJECT TO CHANGE AND THE CONTROLLING ENGINEERING ORGANIZATION SHOULD BE CONTACTED FOR THE LATEST REVISION.		DWN K.IKEDA 24/FEB/'00	tyco Electronics	Tyco Electronics AMP K.K. Kawasaki, Japan
DIMENSIONS: 単位: mm		CHK Y.KATO 28/FEB/'00		
TOLERANCES UNLESS OTHERWISE SPECIFIED		APVD HASEGAWA 28/FEB/'00	NAME 2列 ヘッダーアセンブリー 8P (水平タイプ)	
MATERIAL 材料 注記参照 SEE NOTES		PRODUCT SPEC 108-5619	DOUBLE ROW HEADER ASS'Y 8P ("H" TYPE) <DYNAMIC D-2100D>	
FINISH 仕上 注記参照 SEE NOTES		APPLICATION SPEC 取付適用規格 114-5258	SIZE A3	CAGE CODE 00779
CUSTOMER DRAWING		WEIGHT	DRAWING NO C=1376009	RESTRICTED TO -
		SCALE 4-1	SHEET 1	REV 2

LOC	DIST	REVISIONS						
J		P	LTR	DESCRIPTION	ECN	DATE	DWN	APVD
				SEE 1 OF 2				



1-1376009-1; AS SHOWN SEQUENTIAL TYPE

		回路番号			
		1	2	3	4
列番号	B	③ Signal	① Ground	③ Signal	③ Signal
	A	④ Signal	② Ground	④ Signal	④ Signal

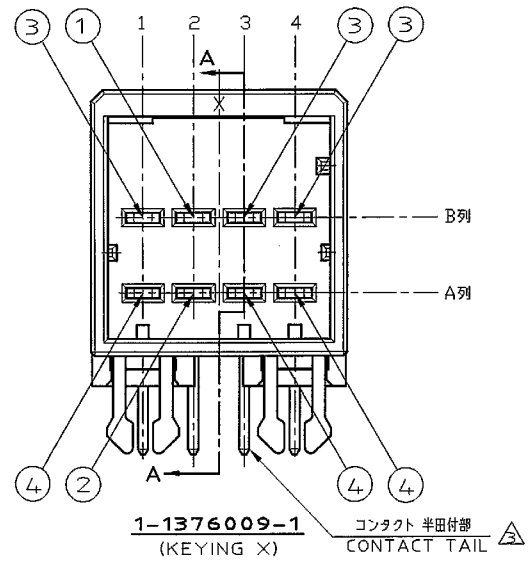
POINT OF SEQUENTIAL
1-1376009-1
 (KEYING X)

NOTES

- 1. MATERIAL: HOUSING: GLASS FILLED THERMO PLASTIC, POLYESTER (94V-0), COLOR: BLACK
- TAB CONTACT: COPPER ALLOY
- RETENTION LEG: BRASS
- △ FINISH (CONTACT AREA): 0.38μm MIN GOLD PLATING OVER NI PLATING
- △ FINISH (RETENTION LEG): TIN PLATED (CONTACT TAIL) OVER NICKEL

注記

- 1. 材料: ハウジング: ガラス入り熱可塑性ポリエステル樹脂 (94V-0), 色: 黒
- タブコンタクト: 銅合金
- リテンションレグ: 黄銅
- △ めっき: コンタクト: 全面Ni下地 接触部: 0.38μm MIN金めっき
- △ めっき: リテンションレグとコンタクト半田付部: ニッケル下地の上にスズめっき



1-1376009-1
 (KEYING X) △ コンタクト半田付部 CONTACT TAIL

THIS DRAWING IS A CONTROLLED DOCUMENT FOR AMP INCORPORATED. IT IS SUBJECT TO CHANGE AND THE CONTROLLING ENGINEERING ORGANIZATION SHOULD BE CONTACTED FOR THE LATEST REVISION.		DWN K. IKEDA 24/FEB/'00	tyco Electronics	Tyco Electronics AMP K.K. Kawasaki, Japan	
DIMENSIONS: 単位 寸 mm		CHK Y. KATO 28/FEB/'00		NAME 氏名	2列 ヘッダーアセンブリー 8P (水平タイプ) DOUBLE ROW HEADER ASS'Y 8P ("H" TYPE) -DYNAMIC D-2100D-
TOLERANCES UNLESS OTHERWISE SPECIFIED 一般公差 10% ±0.3 3% >10 ±0.35 10% >30 ±0.4 ANGLE: ±3°		APVD I. HASEGAWA 28/FEB/'00	PRODUCT SPEC 108-5619	SIZE A3	CAGE CODE 00779
MATERIAL 材料 注記参照 SEE NOTES		FINISH 仕上げ 注記参照 SEE NOTES	APPLICATION SPEC 114-5258	DRAWING NO 番号	RESTRICTED TO C= 1376009
		CUSTOMER DRAWING		SCALE 尺 4-1	SHEET 2 OF 2 REV B