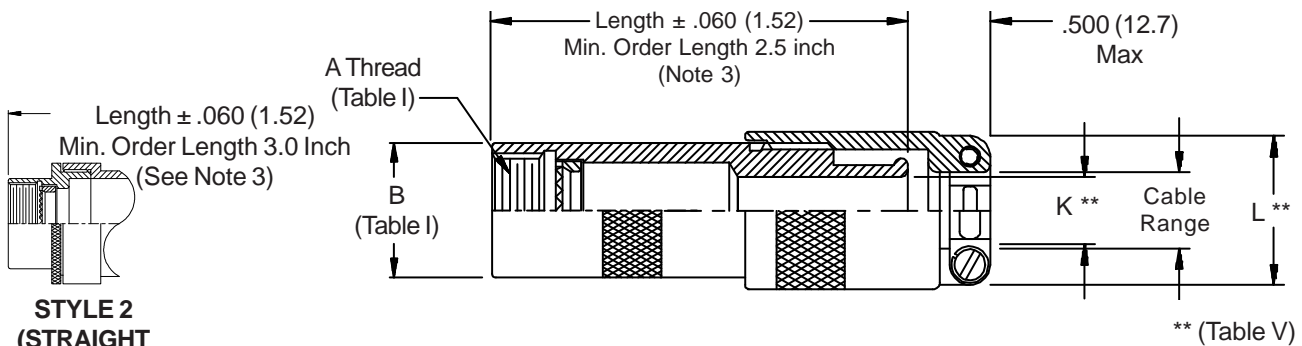
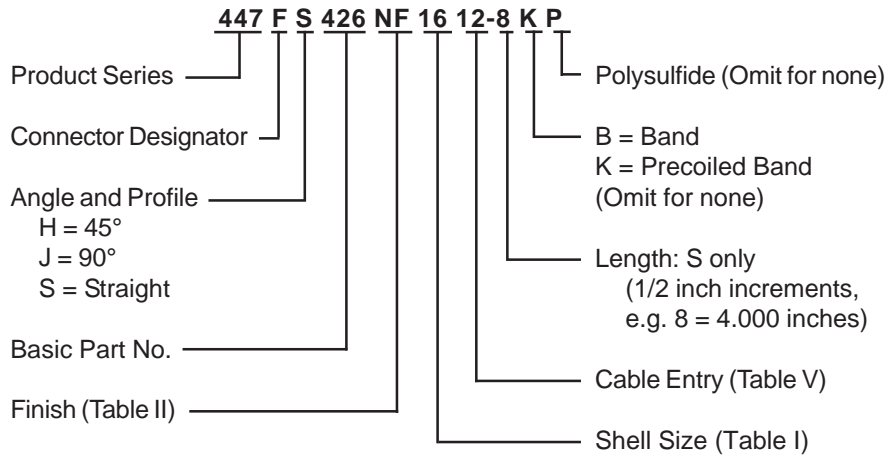
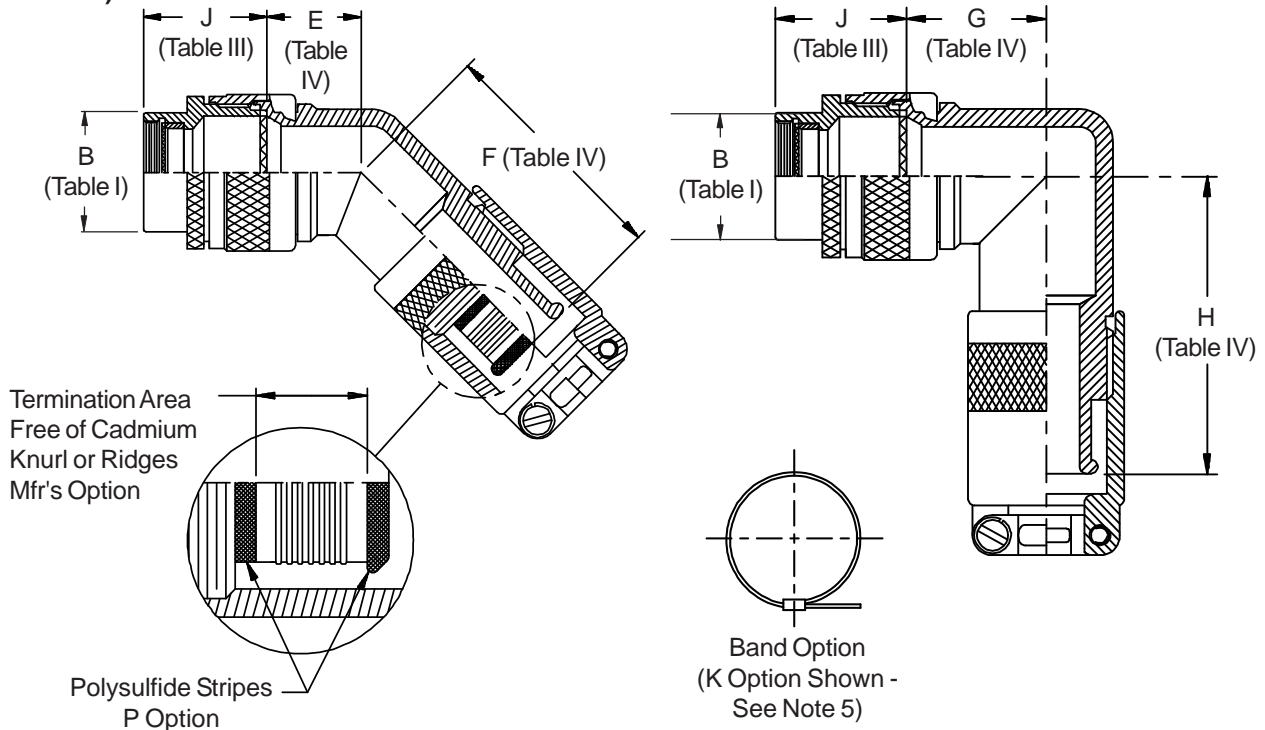


**CONNECTOR
DESIGNATORS
A-B*-C-D-E-F
G-H-J-K-L-S**
* Conn. Desig. B See Note 4
DIRECT COUPLING



**STYLE 2
(STRAIGHT
See Note 1)**



447-426
EM/RFI Non-Environmental Band-in-a-Can Backshell
 with Cable Clamp Strain-Relief
 Direct Coupling - Standard Profile



See inside back cover fold-out or
 pages 13 and 14 for Tables I and II.

TABLE III: FRONT ADAPTER			
Shell Size	J Max - Conn. Designator		
	A-E-F	D-B-G-K	C
08/09	1.180 (30.0)	1.250 (31.8)	
10/11	1.180 (30.0)	1.250 (31.8)	
12/13	1.180 (30.0)	1.250 (31.8)	1.735 (44.1)
14/15	1.180 (30.0)	1.250 (31.8)	1.915 (48.6)
16/17	1.380 (35.0)	1.560 (39.6)	1.915 (48.6)
18/19	1.380 (35.0)	1.560 (39.6)	1.915 (48.6)
20/21	1.380 (35.0)	1.560 (39.6)	1.915 (48.6)
22/23	1.380 (35.0)	1.560 (39.6)	1.915 (48.6)
24/25	1.380 (35.0)	1.560 (39.6)	1.915 (48.6)
28/29	1.610 (40.9)	1.560 (39.6)	1.915 (48.6)
32/33	1.610 (40.9)	1.750 (44.5)	1.915 (48.6)
36	1.610 (40.9)	1.750 (44.5)	1.915 (48.6)
40	1.610 (40.9)	2.190 (55.6)	1.915 (48.6)

TABLE IV: ELBOW DIMENSIONS								
Elbow Size	E Max	F Max	G Max	H Max				
10/12	.664 (16.9)	1.410 (35.8)	.810 (20.6)	1.550 (39.4)				
14	.688 (17.5)	1.430 (36.3)	.870 (22.1)	1.610 (40.9)				
16/18	.732 (18.6)	1.480 (37.6)	.980 (24.9)	1.740 (44.2)				
20	.748 (19.0)	1.490 (37.8)	1.020 (25.9)	1.760 (44.7)				
22	.773 (19.6)	1.510 (38.4)	1.080 (27.4)	1.820 (46.2)				
24	.800 (20.3)	1.550 (39.4)	1.140 (29.0)	1.900 (48.3)				
28	.823 (20.9)	1.580 (40.1)	1.200 (30.5)	1.970 (50.0)				
32	1.041 (26.4)	1.750 (44.5)	1.480 (37.6)	2.210 (56.1)				

TABLE V: CABLE RANGE							
Dash No.	K		L Max	Cable Range			
	±.030	±(.8)		Min	Max		
10	.220 (5.6)	1.000 (25.4)	.130 (3.3)	.250 (6.4)			
12	.310 (7.9)	1.250 (31.8)	.250 (6.4)	.380 (9.7)			
14	.440 (11.2)	1.340 (34.0)	.310 (7.9)	.440 (11.2)			
16	.560 (14.2)	1.470 (37.3)	.375 (9.5)	.630 (16.0)			
18	.630 (16.0)	1.560 (39.6)	.560 (14.2)	.690 (17.5)			
20	.750 (19.1)	1.620 (41.1)	.630 (16.0)	.750 (19.1)			
22	.880 (22.4)	1.750 (44.5)	.750 (19.1)	.880 (22.4)			
24	1.000 (25.4)	1.870 (47.5)	.880 (22.4)	1.000 (25.4)			
28	1.060 (26.9)	1.970 (50.0)	1.000 (25.4)	1.130 (28.7)			
32	1.190 (30.2)	2.090 (53.1)	1.130 (28.7)	1.250 (31.8)			

1. When maximum cable entry (page 22) is exceeded, Style 2 will be supplied. (Function S only).
2. Metric dimensions (mm) are indicated in parentheses.
3. Consult factory for shorter lengths on straight backshells.
4. When using Connector Designator B refer to pages 18 and 19 for part number development.
5. Backshells supplied with 600-052-* band, see Glenair Series 600 Tool Catalog for installation.