



PART NAME

PRINTED CIRCUIT BOARD

PART No.

EXN-23406-PCB
EXN-23408-PCB

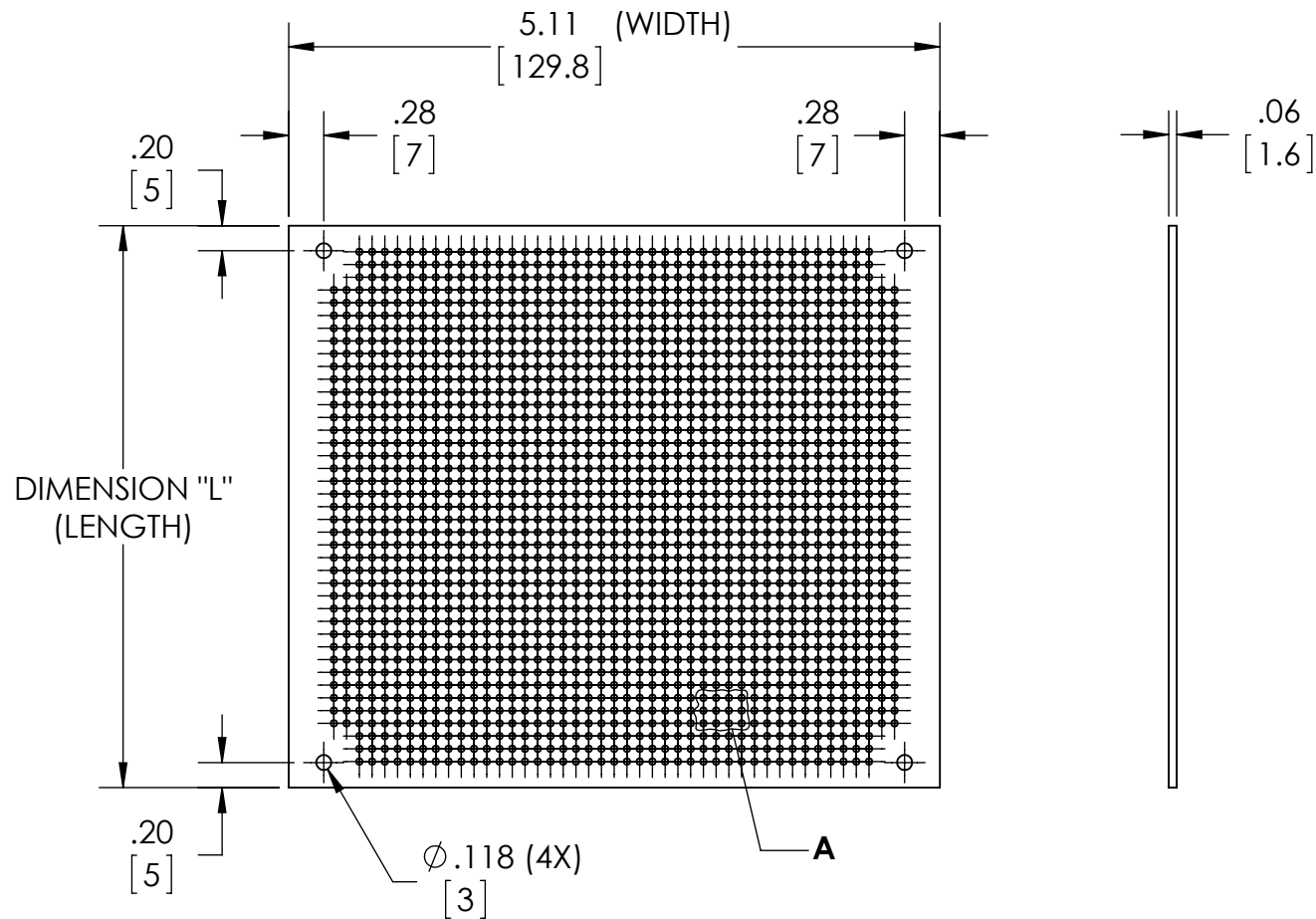
EXN-23407-PCB
EXN-23409-PCB

REV. DATE

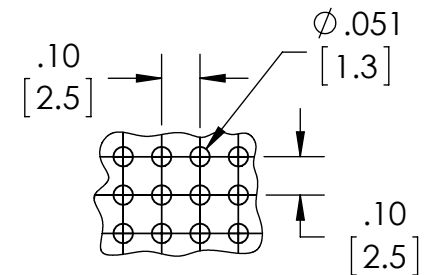
10-13-15

DRAWING FOR REFERENCE

WE RESERVE THE RIGHT TO MAKE CHANGES TO OUR STANDARD PRODUCTS. PLEASE CONSULT WITH BUD INDUSTRIES PRIOR TO USING THIS DRAWING FOR DESIGN PURPOSE.



MATERIAL: GREEN SILICON
DIMENSIONS IN INCH[MM]



DETAIL A
SCALE 2 : 1

CIRCUIT BOARD PART NUMBER	DIMENSION "L" CIRCUIT BOARD LENGTH	FITS EXN-SERIES ENCLOSURES WITH ALUMINUM END PANELS:	FITS EXN-SERIES ENCLOSURES WITH PLASTIC END PANELS:
EXN-23406-PCB	2.84 [72]	EXN-23359-GD, -SV, -RD, -BL, -BK	EXN-23359-GDP, -SVP, -RDP, -BLP, -BKP
EXN-23407-PCB	4.41 [112]	EXN-23360-GD, -SV, -RD, -BL, -BK	EXN-23360-GDP, -SVP, -RDP, -BLP, -BKP
EXN-23408-PCB	5.98 [152]	EXN-23361-GD, -SV, -RD, -BL, -BK	EXN-23361-GDP, -SVP, -RDP, -BLP, -BKP
EXN-23409-PCB	7.56 [192]	EXN-23362-GD, -SV, -RD, -BL, -BK	EXN-23362-GDP, -SVP, -RDP, -BLP, -BKP