

# **ADSP-21262 EZ-KIT Lite® Evaluation System Manual**

Revision 3.0, August 2006

Part Number  
82-000800-01

Analog Devices, Inc.  
One Technology Way  
Norwood, Mass. 02062-9106



## **Copyright Information**

©2006 Analog Devices, Inc., ALL RIGHTS RESERVED. This document may not be reproduced in any form without prior, express written consent from Analog Devices, Inc.

Printed in the USA.

## **Limited Warranty**

The EZ-KIT Lite evaluation system is warranted against defects in materials and workmanship for a period of one year from the date of purchase from Analog Devices or from an authorized dealer.

## **Disclaimer**

Analog Devices, Inc. reserves the right to change this product without prior notice. Information furnished by Analog Devices is believed to be accurate and reliable. However, no responsibility is assumed by Analog Devices for its use; nor for any infringement of patents or other rights of third parties which may result from its use. No license is granted by implication or otherwise under the patent rights of Analog Devices, Inc.

## **Trademark and Service Mark Notice**

The Analog Devices logo, VisualDSP++, the VisualDSP++ logo, SHARC, the SHARC logo, the CROSSCORE logo, EZ-KIT Lite, and EZ-Extender are registered trademarks of Analog Devices, Inc.

All other brand and product names are trademarks or service marks of their respective owners.

## Regulatory Compliance

The ADSP-21262 EZ-KIT Lite evaluation system has been certified to comply with the essential requirements of the European EMC directive 89/336/EEC (inclusive 93/68/EEC) and, therefore, carries the “CE” mark.

The ADSP-21262 EZ-KIT Lite evaluation system had been appended to Analog Devices Development Tools Technical Construction File referenced “DSPTOOLS1” dated December 21, 1997 and was awarded CE Certification by an appointed European Competent Body and is on file.



The EZ-KIT Lite evaluation system contains ESD (electrostatic discharge) sensitive devices. Electrostatic charges readily accumulate on the human body and equipment and can discharge without detection. Permanent damage may occur on devices subjected to high-energy discharges. Proper ESD precautions are recommended to avoid performance degradation or loss of functionality. Store unused EZ-KIT Lite boards in the protective shipping package.





# CONTENTS

## PREFACE

Purpose of This Manual .....	xii
Intended Audience .....	xii
Manual Contents .....	xiii
What's New in This Manual .....	xiv
Technical or Customer Support .....	xiv
Supported Processors .....	xv
Product Information .....	xv
MyAnalog.com .....	xv
Processor Product Information .....	xvi
Related Documents .....	xvi
Online Technical Documentation .....	xvii
Accessing Documentation From VisualDSP++ .....	xviii
Accessing Documentation From Windows .....	xviii
Accessing Documentation From Web .....	xix
Printed Manuals .....	xix
VisualDSP++ Documentation Set .....	xix
Hardware Tools Manuals .....	xx
Processor Manuals .....	xx

# CONTENTS

Data Sheets .....	xx
Notation Conventions .....	xxi

## USING ADSP-21262 EZ-KIT LITE

Package Contents .....	1-2
Default Configuration .....	1-3
Installation and Session Startup .....	1-5
Evaluation License Restrictions .....	1-7
External Memory .....	1-7
Analog Audio Interface .....	1-8
Digital Audio Interface .....	1-10
LEDs and Push Buttons .....	1-11
Example Programs .....	1-13
Background Telemetry Channel .....	1-13

## ADSP-21262 EZ-KIT LITE HARDWARE REFERENCE

System Architecture .....	2-2
Parallel Port .....	2-3
DAI Interface .....	2-5
SPI Interface .....	2-6
Flag Pins .....	2-6
Expansion Interface .....	2-7
JTAG Emulation Port .....	2-8
Switch Settings .....	2-9
Electret Microphone Select Switch (SW6) .....	2-9

Codec Setup Switch (SW7) .....	2-10
S/PDIF Signal Enable Switch (SW8) .....	2-11
Push Button Enable Switch (SW9) .....	2-12
Boot Mode and Clock Ratio Select Switch (SW10) .....	2-12
Loop-Back Test Switch (SW11) .....	2-13
SPI Disable Switch (SW12) .....	2-13
LEDs and Push Buttons .....	2-14
General Purpose LEDs (LED8–1) .....	2-15
Reset LED (LED9) .....	2-15
Power LED (LED10) .....	2-15
S/PDIF GPO1 LED (LED11) .....	2-15
USB Monitor LED (ZLED3) .....	2-15
Push Buttons (SW4–1) .....	2-16
Board Reset Push Button (SW5) .....	2-16
Connectors .....	2-17
Expansion Interface (J1–3) .....	2-17
Audio In RCA Connector (J4) .....	2-18
Audio Out RCA Connector (J5) .....	2-18
Headphone Out Jack (J6) .....	2-18
Power Jack (J7) .....	2-19
S/PDIF Coax Connector (J8) .....	2-19
SPI Header (P2) .....	2-19
DAI Header (P3) .....	2-20
USB Connector (ZJ1) .....	2-20

# CONTENTS

JTAG Header (ZP4) .....	2-21
-------------------------	------

## ADSP-21262 EZ-KIT LITE BILL OF MATERIALS

## ADSP-21262 EZ-KIT LITE SCHEMATIC

Title Page .....	B-1
ADSP-21262 Processor .....	B-2
Memory .....	B-3
Analog Audio .....	B-4
Audio Out 1 .....	B-5
Audio Out 2 .....	B-6
Audio In and Headphone Out .....	B-7
S/PDIF RX .....	B-8
RESET/PB/LED .....	B-9
Expansion Interface/JTAG/SPI/DAI .....	B-10
Power .....	B-11

## INDEX



# PREFACE

Thank you for purchasing the ADSP-21262 EZ-KIT Lite<sup>®</sup>, Analog Devices, Inc. evaluation system for SHARC<sup>®</sup> processors (DSPs).


The SHARC processors are based on a 32-bit super Harvard architecture that includes a unique memory architecture comprised of two large on-chip, dual-ported SRAM blocks coupled with a sophisticated IO processor, which gives a SHARC processor the bandwidth for sustained high-speed computations. SHARC processors represent today's de facto standard for floating-point processor targeted for premium audio applications.

The evaluation system is designed to be used in conjunction with the VisualDSP++<sup>®</sup> development environment to test the capabilities of the ADSP-21262 SHARC processors. The VisualDSP++ development environment gives you the ability to perform advanced application code development and debug, such as:

- Create, compile, assemble, and link application programs written in C++, C, and ADSP-21262 assembly
- Load, run, step, halt, and set breakpoints in application program
- Read and write data and program memory
- Read and write core and peripheral registers
- Plot memory

Access to the ADSP-21262 processor from a personal computer (PC) is achieved through a USB port or an optional JTAG emulator. The USB interface gives unrestricted access to the ADSP-21262 processor and the evaluation board peripherals. Analog Devices JTAG emulators offer faster communication between the host PC and target hardware. Analog Devices carries a wide range of in-circuit emulation products. To learn more about Analog Devices emulators and processor development tools, go to <http://www.analog.com/processors/index.html>.

ADSP-21262 EZ-KIT Lite provides example programs to demonstrate the capabilities of the evaluation board.

 The ADSP-21262 EZ-KIT Lite installation is part of the VisualDSP++ installation. The EZ-KIT Lite is a licensed product that offers an unrestricted evaluation license for the first 90 days. For details about evaluation license restrictions after the 90 days, refer to “[Evaluation License Restrictions](#)” on page 1-7 and the *VisualDSP++ Installation Quick Reference Card*.

The board features:

- Analog Devices ADSP-21262 processor
  - ✓ 136-pin BGA package
  - ✓ 300 MHz core clock speed
- Synchronous random access memory (SRAM)
  - ✓ 512 Kbit x 8-bit
- Flash memory
  - ✓ 1M x 8-bit

- Serial peripheral interconnect (SPI) flash memory
  - ✓ 2 Mbit
- Analog audio interface
  - ✓ AD1835A codec
  - ✓ 4x2 RCA phono jack for 4 channels of stereo output
  - ✓ 2x1 RCA phono jack for 1 channel of stereo input
  - ✓ Headphone jack for 1 channel stereo output
- Digital audio interface (DAI)
  - ✓ CS8416 Sony/Philips Digital Interface (S/PDIF) receiver
  - ✓ RCA phono jack input
- LEDs
  - ✓ Twelve LEDs: one power (green), one board reset (red), S/PDIF (amber), one USB monitor (amber), and eight general-purpose (amber)
- Push buttons
  - ✓ five push buttons: one reset, two connected to DAI, two connected to processor FLAG pins
- Expansion interface (type A)
  - ✓ Parallel port, FLAGs, DAI, SPI
- Other features
  - ✓ JTAG ICE 14-pin header
  - ✓ 0-ohm resistors for processor current measurement
  - ✓ SPI header
  - ✓ DAI header

## Purpose of This Manual

The EZ-KIT Lite board has a total of 1 MB of parallel flash memory and 2 Mbit of SPI flash memory. The flash memories can store user-specific boot code, allowing the board to run as a stand-alone unit. For more information, see [“External Memory” on page 1-7](#) and [“Boot Mode and Clock Ratio Select Switch \(SW10\)” on page 2-12](#). The board also has 512 KB of SRAM, which can be used at runtime.

The DAI of the processor connects to the AD1835A audio codec and the CS8416 S/PDIF receiver. These devices facilitate creation of digital and analog audio signal processing applications. See [“Analog Audio Interface” on page 1-8](#) and [“Digital Audio Interface” on page 1-10](#) for more information.

Additionally, the EZ-KIT Lite board provides access to all of the processor’s peripheral ports. Access is provided in the form of a three-connector expansion interface. See [“Expansion Interface” on page 2-7](#) for details.

## Purpose of This Manual

The *ADSP-21262 EZ-KIT Lite Evaluation System Manual* provides instructions for installing the product hardware (board) and describes the operation and configuration of the board components. The product software component is detailed in the *VisualDSP++ Installation Quick Reference Card*. The manual provides guidelines for running your own code on the ADSP-21262 EZ-KIT Lite. Finally, a schematic and a bill of materials are provided as a reference for future designs.

## Intended Audience

The primary audience for this manual is a programmer who is familiar with Analog Devices processors. This manual assumes that the audience has a working knowledge of the appropriate processor architecture and instruction set. Programmers who are unfamiliar with Analog Devices

processors can use this manual but should supplement it with other texts (such as the *ADSP-2126x SHARC Core Reference* and *ADSP-21262/21266 Peripherals Manual* and the *ADSP-21160 SHARC DSP Instruction Set Reference*) that describe your target architecture.

Programmers who are unfamiliar with VisualDSP++ should refer to the VisualDSP++ online Help and user's or getting started guides. For the locations of these documents, see "[Related Documents](#)".

## Manual Contents

The manual consists of:

- Chapter 1, "[Using ADSP-21262 EZ-KIT Lite](#)" on page 1-1  
Provides information on the EZ-KIT Lite from a programmer's perspective and provides an easy-to-access memory map.
- Chapter 2, "[ADSP-21262 EZ-KIT Lite Hardware Reference](#)" on page 2-1  
Provides information on the EZ-KIT Lite hardware components.
- Appendix A, "[ADSP-21262 EZ-KIT Lite Bill Of Materials](#)" on page A-1  
Provides a list of components used to manufacture the EZ-KIT Lite board.
- Appendix B, "[ADSP-21262 EZ-KIT Lite Schematic](#)" on page B-1  
Provides the resources to allow EZ-KIT Lite board-level debugging or to use as a reference design.



Appendix B now is part of the online Help. The PDF version of the *ADSP-21262 EZ-KIT Lite Evaluation System Manual* is located in the Docs\EZ-KIT Lite Manuals folder on the installation CD. Alternatively, the book can be found at the Analog Devices Web site, <http://www.analog.com/processors>.

# What's New in This Manual

This edition of the *ADSP-21262 EZ-KIT Lite Evaluation System Manual* documents ADSP-21262 EZ-KIT Lite compliance with the RoHS and WEEE directives.

## Technical or Customer Support

You can reach Analog Devices, Inc. Customer Support in the following ways:

- Visit the Embedded Processing and DSP products Web site at <http://www.analog.com/processors/technicalSupport>
- E-mail tools questions to [processor.tools.support@analog.com](mailto:processor.tools.support@analog.com)
- E-mail processor questions to [processor.support@analog.com](mailto:processor.support@analog.com) (World wide support)  
[processor.europe@analog.com](mailto:processor.europe@analog.com) (Europe support)  
[processor.china@analog.com](mailto:processor.china@analog.com) (China support)
- Phone questions to 1-800-ANALOGD
- Contact your Analog Devices, Inc. local sales office or authorized distributor
- Send questions by mail to:  
Analog Devices, Inc.  
One Technology Way  
P.O. Box 9106  
Norwood, MA 02062-9106  
USA

## Supported Processors

This EZ-KIT Lite evaluation system supports the Analog Devices ADSP-21262 SHARC processors.

## Product Information

You can obtain product information from the Analog Devices Web site, from the product CD-ROM, or from the printed publications (manuals).

Analog Devices is online at [www.analog.com](http://www.analog.com). Our Web site provides information about a broad range of products—analogue integrated circuits, amplifiers, converters, and digital signal processors.

## MyAnalog.com

MyAnalog.com is a free feature of the Analog Devices Web site that allows customization of a Web page to display only the latest information on products you are interested in. You can also choose to receive weekly e-mail notifications containing updates to the Web pages that meet your interests. MyAnalog.com provides access to books, application notes, data sheets, code examples, and more.

### Registration:

Visit [www.myanalog.com](http://www.myanalog.com) to sign up. Click **Register** to use MyAnalog.com. Registration takes about five minutes and serves as means for you to select the information you want to receive.

If you are already a registered user, just log on. Your user name is your e-mail address.

## Product Information

### Processor Product Information

For information on embedded processors and DSPs, visit our Web site at [www.analog.com/processors](http://www.analog.com/processors), which provides access to technical publications, data sheets, application notes, product overviews, and product announcements.

You may also obtain additional information about Analog Devices and its products in any of the following ways.

- E-mail questions or requests for information to  
[processor.support@analog.com](mailto:processor.support@analog.com) (World wide support)  
[processor.europe@analog.com](mailto:processor.europe@analog.com) (Europe support)  
[processor.china@analog.com](mailto:processor.china@analog.com) (China support)
- Fax questions or requests for information to  
**1-781-461-3010** (North America)  
**+49-89-76903-157** (Europe)

### Related Documents

For information on product related development software, see the following publications.

Table 1. Related Processor Publications

Title	Description
<i>ADSP-21262 SHARC Microprocessor Datasheet</i>	General functional description, pinout, and timing
<i>ADSP-2126x SHARC DSP Core Manual</i> <i>ADSP-2126x SHARC DSP Peripherals Manual</i>	Description of internal processor architecture, registers, and all peripheral functions
<i>ADSP-21160 SHARC DSP Instruction Set Reference</i>	Description of all allowed processor assembly instructions



Table 2. Related VisualDSP++ Publications

Title	Description
<i>VisualDSP++ Assembler and Preprocessor Manuals</i>	Description of the assembler function and commands
<i>VisualDSP++ C/C++ Compiler and Library Manual for SHARC Processors</i>	Description of the compiler function and commands for SHARC processors
<i>VisualDSP++ Linker and Utilities Manual</i>	Description of the linker function and commands for the processors
<i>VisualDSP++ Loader and Utilities Manual</i>	Description of the loader function and commands for the processors
<i>VisualDSP++ User's Guide</i>	Detailed description of VisualDSP++ features and usage



If you plan to use the EZ-KIT Lite board in conjunction with a JTAG emulator, also refer to the documentation that accompanies the emulator.

All documentation is available online. Most documentation is available in printed form.

Visit the Technical Library Web site to access all processor and tools manuals and data sheets:

<http://www.analog.com/processors/technicalSupport/technicalLibrary/index.html>.

## Online Technical Documentation

Online documentation comprises the VisualDSP++ Help system, software tools manuals, hardware tools manuals, processor manuals, the Dinkum Abridged C++ library, and Flexible License Manager (FlexLM) network license manager software documentation. You can easily search across the entire VisualDSP++ documentation set for any topic of interest. For easy printing, supplementary .pdf files of most manuals are provided in the Docs folder on the VisualDSP++ installation CD.

## Product Information

Each documentation file type is described as follows.

File	Description
.chm	Help system files and manuals in Help format
.htm or .html	Dinkum Abridged C++ library and FlexLM network license manager software documentation. Viewing and printing the .html files requires a browser, such as Internet Explorer 5.01 (or higher).
.pdf	VisualDSP++ and processor manuals in Portable Documentation Format (PDF). Viewing and printing the .pdf files requires a PDF reader, such as Adobe Acrobat Reader (4.0 or higher).

If documentation is not installed on your system as part of the software installation, you can add it from the VisualDSP++ CD at any time by running the Tools installation. Access the online documentation from the VisualDSP++ environment, Windows<sup>®</sup> Explorer, or the Analog Devices Web site.

### Accessing Documentation From VisualDSP++

To view VisualDSP++ Help, click on the **Help** menu item or go to the Windows task bar and navigate to the VisualDSP++ documentation via the **Start** menu.

To view ADSP-21262 EZ-KIT Lite Help, which is part of the VisualDSP++ Help system, use the **Contents** or **Search** tab of the Help window.

### Accessing Documentation From Windows

In addition to any shortcuts you may have constructed, there are many ways to open VisualDSP++ online Help or the supplementary documentation from Windows.

Help system files (.chm) are located in the Help folder, and .pdf files are located in the Docs folder of your VisualDSP++ installation CD-ROM. The Docs folder also contains the Dinkum Abridged C++ library and the FlexLM network license manager software documentation.

Your software installation kit includes online Help as part of the Windows interface. These help files provide information about VisualDSP++ and the ADSP-21262 EZ-KIT Lite evaluation system.

### Accessing Documentation From Web

Download manuals at the following Web site:

<http://www.analog.com/processors/technicalSupport/technicalLibrary/index.html>.

Select a processor family and book title. Download archive (.zip) files, one for each manual. Use any archive management software, such as Win-Zip, to decompress downloaded files.

### Printed Manuals

For general questions regarding literature ordering, call the Literature Center at 1-800-ANALOGD (1-800-262-5643) and follow the prompts.

### VisualDSP++ Documentation Set

To purchase VisualDSP++ manuals, call 1-603-883-2430. The manuals may be purchased only as a kit.

If you do not have an account with Analog Devices, you are referred to Analog Devices distributors. For information on our distributors, log onto <http://www.analog.com/salesdir/continent.asp>.

## Product Information

### Hardware Tools Manuals

To purchase EZ-KIT Lite and In-Circuit Emulator (ICE) manuals, call **1-603-883-2430**. The manuals may be ordered by title or by product number located on the back cover of each manual.

### Processor Manuals

Hardware reference and instruction set reference manuals may be ordered through the Literature Center at **1-800-ANALOGD (1-800-262-5643)**, or downloaded from the Analog Devices Web site. Manuals may be ordered by title or by product number located on the back cover of each manual.




### Data Sheets

All data sheets (preliminary and production) may be downloaded from the Analog Devices Web site. Only production (final) data sheets (Rev. 0, A, B, C, and so on) can be obtained from the Literature Center at **1-800-ANALOGD (1-800-262-5643)**; they also can be downloaded from the Web site.


To have a data sheet faxed to you, call the Analog Devices Faxback System at **1-800-446-6212**. Follow the prompts and a list of data sheet code numbers will be faxed to you. If the data sheet you want is not listed, check for it on the Web site.

## Notation Conventions

Text conventions used in this manual are identified and described as follows.

Example	Description
Close command (File menu)	Titles in reference sections indicate the location of an item within the VisualDSP++ environment's menu system (for example, the <b>Close</b> command appears on the <b>File</b> menu).
{this   that}	Alternative required items in syntax descriptions appear within curly brackets and separated by vertical bars; read the example as <i>this</i> or <i>that</i> . One or the other is required.
[this   that]	Optional items in syntax descriptions appear within brackets and separated by vertical bars; read the example as an optional <i>this</i> or <i>that</i> .
[this,...]	Optional item lists in syntax descriptions appear within brackets delimited by commas and terminated with an ellipsis; read the example as an optional comma-separated list of <i>this</i> .
.SECTION	Commands, directives, keywords, and feature names are in text with letter gothic font.
<i>filename</i>	Non-keyword placeholders appear in text with italic style format.
	<b>Note:</b> For correct operation, ... A Note provides supplementary information on a related topic. In the online version of this book, the word <b>Note</b> appears instead of this symbol.
	<b>Caution:</b> Incorrect device operation may result if ... <b>Caution:</b> Device damage may result if ... A Caution identifies conditions or inappropriate usage of the product that could lead to undesirable results or product damage. In the online version of this book, the word <b>Caution</b> appears instead of this symbol.
	<b>Warning:</b> Injury to device users may result if ... A Warning identifies conditions or inappropriate usage of the product that could lead to conditions that are potentially hazardous for the devices users. In the online version of this book, the word <b>Warning</b> appears instead of this symbol.

## Notation Conventions

 Additional conventions, which apply only to specific chapters, may appear throughout this document.

# 1 USING ADSP-21262 EZ-KIT LITE

This chapter provides specific information to assist you with development of programs for the ADSP-21262 EZ-KIT Lite evaluation system.

The information appears in the following sections.

- [“Package Contents” on page 1-2](#)  
Lists the items contained in your ADSP-21262 EZ-KIT Lite package.
- [“Default Configuration” on page 1-3](#)  
Shows the default configuration of the ADSP-21262 EZ-KIT Lite.
- [“Installation and Session Startup” on page 1-5](#)  
Shows how to start a new or open an existing ADSP-21262 EZ-KIT Lite session.
- [“Evaluation License Restrictions” on page 1-7](#)  
Describes the restrictions of the VisualDSP++ license shipped with the EZ-KIT Lite.
- [“External Memory” on page 1-7](#)  
Describes how to access external memory and defines the memory map of the EZ-KIT Lite.
- [“Analog Audio Interface” on page 1-8](#)  
Describes how to set up and communicate with the on-board audio codec.

## Package Contents

- [“Digital Audio Interface” on page 1-10](#)  
Describes how to use the on-board Sony/Philips Digital Interface (S/PDIF) receiver.
- [“LEDs and Push Buttons” on page 1-11](#)  
Describes how to configure use the on-board LEDs and bush buttons.
- [“Example Programs” on page 1-13](#)  
Provides information about the example programs included in the ADSP-21262 EZ-KIT Lite evaluation system.
- [“Background Telemetry Channel” on page 1-13](#)  
Highlights the advantages of the background telemetry channel feature of VisualDSP++.

For information on the graphical user interface, including the boot loading, target options, and other facilities of the EZ-KIT Lite system, refer to the online Help.

For detailed information on how to program the ADSP-21262 SHARC processor, refer to the documents referenced in [“Related Documents”](#).

## Package Contents

Your ADSP-21262 EZ-KIT Lite evaluation system package contains the following items.

- ADSP-21262 EZ-KIT Lite board
- *VisualDSP++ Installation Quick Reference Card*
- CD containing:
  - ✓ VisualDSP++ software
  - ✓ ADSP-21262 EZ-KIT Lite software



- ✓ USB driver files
  - ✓ Example programs
  - ✓ ADSP-21262 *EZ-KIT Lite Evaluation System Manual* (this document)
- Universal 7V DC power supply
  - USB 2.0 cable
  - Registration card (please fill out and return)

If any item is missing, contact the vendor where you purchased your EZ-KIT Lite or contact Analog Devices, Inc.

## Default Configuration

The EZ-KIT Lite evaluation system contains ESD (electrostatic discharge) sensitive devices. Electrostatic charges readily accumulate on the human body and equipment and can discharge without detection. Permanent damage may occur on devices subjected to high-energy discharges. Proper ESD precautions are recommended to avoid performance degradation or loss of functionality. Store unused EZ-KIT Lite boards in the protective shipping package.



The ADSP-21262 EZ-KIT Lite board is designed to run outside your personal computer as a stand-alone unit. You do not have to open your computer case.

When removing the EZ-KIT Lite board from the package, handle the board carefully to avoid the discharge of static electricity, which may damage some components. [Figure 1-1](#) shows the default connector locations and LEDs used in installation. Confirm that your board is set up in the default configuration before using the board.

# Default Configuration

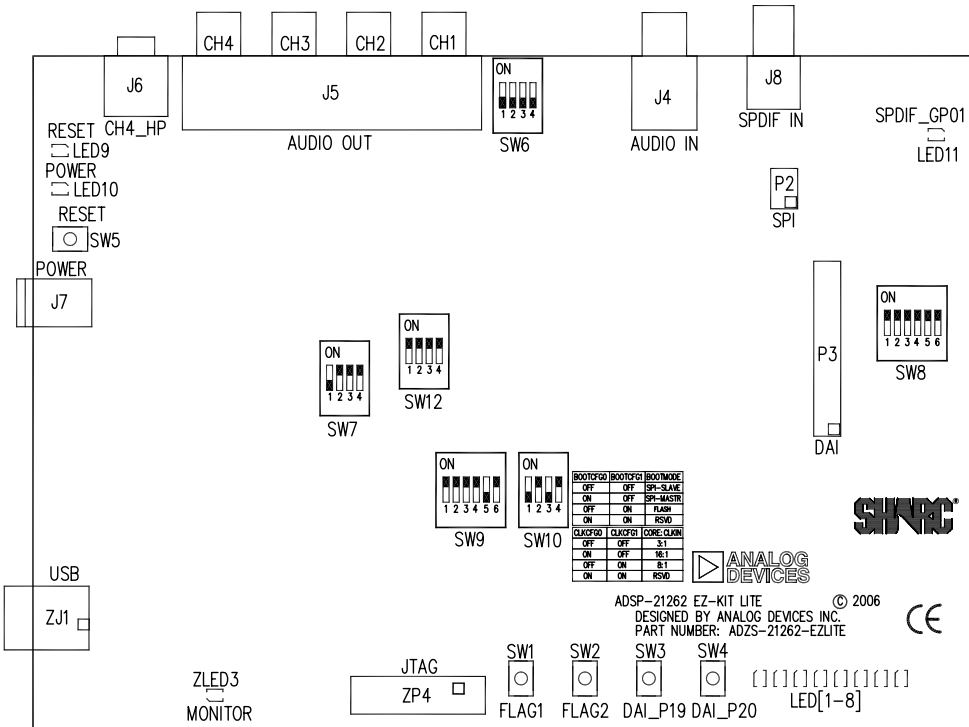



Figure 1-1. EZ-KIT Lite Hardware Setup

## Installation and Session Startup

 For correct operation, install the software and hardware in the order presented in the *VisualDSP++ Installation Quick Reference Card*.

1. Verify that the yellow USB monitor LED (ZLED3, located near the USB connector) is lit. This signifies that the board is communicating properly with the host PC and is ready to run VisualDSP++.
2. If you are running VisualDSP++ for the first time, navigate to the VisualDSP++ environment via the **Start** → **Programs** menu. The main window appears. Note that VisualDSP++ does not connect to any session. Skip the rest of this step to step 3.

If you have run VisualDSP++ previously, the last opened session appears on the screen. You can override the default behavior and force VisualDSP++ to start a new session by pressing and holding down the **Ctrl** key while starting VisualDSP++. Do not release the **Ctrl** key until the **Session Wizard** appears on the screen. Go to step 4.

3. To connect to a new EZ-KIT Lite session, start **Session Wizard** by selecting one of the following.
  - From the **Session** menu, **New Session**.
  - From the **Session** menu, **Session List**. Then click **New Session** from the **Session List** dialog box.
  - From the **Session** menu, **Connect to Target**. Then click **New Session** from the **Session List** dialog box.
4. The **Select Processor** page of the wizard appears on the screen. Ensure **SHARC** is selected in **Processor family**. In **Choose a target processor**, select **ADSP-21262**. Click **Next**.

## Installation and Session Startup


5. The **Select Connection Type** page of the wizard appears on the screen. Select **EZ-KIT Lite** and click **Next**.
6. The **Select Platform** page of the wizard appears on the screen. In the **Select your platform** list, select **ADSP-21262 EZ-KIT Lite via Debug Agent**. In **Session name**, highlight or specify the session name.

The session name can be a string of any length; although, the box displays approximately 32 characters. The session name can include space characters. If you do not specify a session name, VisualDSP++ creates a session name by combining the name of the selected platform with the selected processor. The only way to change a session name later is to delete the session and to open a new session.

Click **Next**.

7. The **Finish** page of the wizard appears on the screen. The page displays your selections. If you are satisfied, click **Finish**. If not, click **Back** to make changes.



To disconnect from a session, click the disconnect button  or select **Session** → **Disconnect from Target**.

To delete a session, select **Session** → **Session List**. Select the session name from the list and click **Delete**. Click **OK**.

## Evaluation License Restrictions

The ADSP-21262 EZ-KIT Lite installation is part of the VisualDSP++ installation. The EZ-KIT Lite is a licensed product that offers an unrestricted evaluation license for the first 90 days. Once the initial unrestricted 90-day evaluation license expires:

- VisualDSP++ allows a connection to the ADSP-21262 EZ-KIT Lite via the USB Debug Agent interface only. Connections to simulators and emulation products are no longer allowed.
- The linker restricts a users program to 10922 words of internal memory for code space with no restrictions for data space.



The EZ-KIT Lite hardware must be connected and powered up to use VisualDSP++ with a valid evaluation or permanent license.

Refer to the *VisualDSP++ Installation Quick Reference Card* for details.

## External Memory

The EZ-KIT Lite contains three types of memory: parallel flash (1 MB), serial peripheral interconnect (SPI) flash (2 Mbit), and synchronous random access memory (SRAM) (512 Kbit). The flash memories can store user-specific boot code, allowing the board to run as a stand-alone unit. For more information about setting the boot device for the processor, see [“Boot Mode and Clock Ratio Select Switch \(SW10\)” on page 2-12](#).

[Table 1-1](#) provides a map of the board’s external memory.

Table 1-1. EZ-KIT Lite Evaluation Board External Memory

Start Address	End Address	Content
0x0100 0000	0x010F FFFF	Flash memory
0x0120 0000	0x012F FFFF	SRAM memory

## Analog Audio Interface

Table 1-1. EZ-KIT Lite Evaluation Board External Memory (Cont'd)

Start Address	End Address	Content
0x0140 0000	0x0140 FFFF	LEDs; see <a href="#">“LEDs and Push Buttons” on page 1-11.</a>
0x0160 0000	0x017F FFFF	Unused chip select 1
0x0180 0000	0x019F FFFF	Unused chip select 2

The parallel flash memory and the SRAM connect to the parallel port of the processor. The parallel port is a multiplexed address and data port. The port can connect to 8-bit and 16-bit memory devices. When configuring the parallel port, keep in mind that the memory devices on the board are 8 bits wide.

To access the SRAM and flash memories, set up a parallel port DMA. For more information on how to connect the SRAM and flash memories, see [“Parallel Port” on page 2-3.](#)

The SPI flash memory connects to the processor’s SPI port and uses `FLAG0` as a chip select. In order for `FLAG0` to behave as a chip select, clear the `PPFLG` bit in the `SYSCTL` register.

An example program is included in the EZ-KIT installation directory to demonstrate how the parallel port and SPI port can be configured to access the memories.

## Analog Audio Interface

The AD1835A is a high-performance, single-chip codec featuring four stereo digital-to-analog converters (DAC) for audio output and one stereo analog-to-digital converters (ADC) for audio input. The codec can input and output data with a sample rate of up to 96 kHz on all channels. A 192 kHz sample rate can be used with the one of the DAC channels.

The processor is interfaced with the AD1835A via the digital audio interface (DAI) port. The DAI interface pins can be configured to transfer serial data from the AD1835A codec in either time-division multiplexed (TDM) or two-wire interface (TWI) mode. For more information on how the AD1835A connects to the DAI, see [“DAI Interface” on page 2-5](#).

The master input clock ( $MCLK$ ) for the AD1835A can be generated by the on-board 12.288 MHz oscillator or can be supplied by one of the DAI pins of the processor. Using one of the pins to generate the  $MCLK$ , as opposed to the on-board oscillator, allows synchronization of multiple devices in the system. This is done on the EZ-KIT Lite when data is coming from the S/PDIF receiver and being output through the audio codec. The S/PDIF  $MCLK$  is routed to the AD1835A  $MCLK$  in the processor's signal routing unit (SRU). It is also necessary to disable the on-board audio oscillator from driving the audio codec and the processor's input pin. For instructions on how to configure the clock, refer to [“Codec Setup Switch \(SW7\)” on page 2-10](#).

The AD1835A codec can be configured as a master or as a slave, depending on the DIP switch settings (SW7). In master mode, the AD1835A drives the serial port clock and frame sync signals to the processor. In slave mode, the processor must generate and drive all of the serial port clock and frame sync signals. For information on how to set the mode, refer to [“Codec Setup Switch \(SW7\)” on page 2-10](#).

The AD1835A audio codec's internal configuration registers are configured using the processor's SPI port. The  $FLAG3$  register is used as the select for the device. For information on how to configure the multichannel codec, refer to the codec datasheet at <http://www.analog.com/en/prod/0,2877,AD1835A,00.html>.

The RCA connector (J4) is used to input analog audio. When using an electret microphone on this connector, configure the SW6 switch according to the instructions in [“Electret Microphone Select Switch \(SW6\)” on](#)

## Digital Audio Interface

[page 2-9](#). The four output channels connect to the RCA connector J5. Channel 4 of the codec connects to the headphone jack J6. For more information about the connectors, see [“Connectors” on page 2-17](#).

Example programs are included in the EZ-KIT installation directory to demonstrate how to configure and use the board’s analog audio interface.

## Digital Audio Interface

The CS8416 is a monolithic complementary metal oxide semiconductor (CMOS) device which receives and decodes one of eight channels of audio data according to IEC60958, S/PDIF, EIAJ CP1201, or AES3 interface standards. The CS8416 receives data from a transmission line, recovers the clock and synchronization signals, and de-multiplexes the audio and digital data.

The CS8416 is attached to the DAI port of the processor. The configuration registers of the S/PDIF receiver are programmed via an SPI, which is connected to the processor’s SPI. The S/PDIF receiver is capable of transmitting a variety of data formats, which are set up via the SPI interface. For more information about the CS8416 and DAI connection, see [“DAI Interface” on page 2-5](#).

The S/PDIF input signal is input on J8 via a coax connector.

To output the audio received by the CS8416 via the AD1835A audio codec, the master clock of both chips must be synchronized to prevent the loss of samples. Put the AD1835A in slave mode and disconnect the 12.288 MHz oscillator from the master clock (MCLK) input (see [“Codec Setup Switch \(SW7\)” on page 2-10](#) for how to).

The CS8416 general-purpose output 1 (GP01) is connected to LED11, and can be configured, via the SPI, to indicate a variety of conditions within the S/PDIF receiver.



Shipped with the kit example programs demonstrate how to configure and use the board's digital audio interface.

## LEDs and Push Buttons

The EZ-KIT Lite has eight general-purpose user LEDs and four general-purpose push buttons.

Two of the general-purpose push buttons are attached to the processor's FLAG pins, while the other two are attached to the DAI pins. All of the push buttons connect to the processor through a DIP switch. See [“Push Button Enable Switch \(SW9\)” on page 2-12](#) for instructions on how to disable the push buttons from driving the corresponding processor pins.

The value of the push buttons connected to the FLAG pins can be determined by reading the FLAG register. The push buttons connected to the DAI pins must be configured as interrupts. It is necessary to set up an interrupt routine to determine each pin's state. [Table 1-2](#) shows how each push button connects to the processor. Refer to the related example program shipped with the EZ-KIT Lite for more information.

Table 1-2. Push Button Connections

Push Button Reference Designator	Processor Pin
SW1	FLAG1
SW2	FLAG2
SW3	DAI_P19
SW4	DAI_P20

## LEDs and Push Buttons

The LEDs connect to the parallel port pins, AD7-0, via a latch. The parallel port of the processor can be set up as a memory bus or as general-purpose FLAG pins. The latch allows the LEDs to be written to in both cases. Information about setting up the latch can be found in “[Push Button Enable Switch \(SW9\)](#)” on page 2-12.

When the LEDs are accessed as FLAG pins, the latch must be set up to pass through the data on the processor’s pins AD7-0. In this mode, it is also necessary to set up the parallel port to be FLAG pins. To set up the parallel port as FLAG pins, set the PPFLG bit in the SYSCCTL register. [Table 1-3](#) summarizes the LED and FLAG connections.

Table 1-3. LED Connections

LED Reference Designator	Processor Pin	Mapped as Flag
LED1	AD0	FLAG8
LED2	AD1	FLAG9
LED3	AD2	FLAG10
LED4	AD3	FLAG11
LED5	AD4	FLAG12
LED6	AD5	FLAG13
LED7	AD6	FLAG14
LED8	AD7	FLAG15



An example program is included in the EZ-KIT Lite installation directory to demonstrate the functionality of the LEDs and push buttons.

## Example Programs

Example programs are provided with the ADSP-21262 EZ-KIT Lite to demonstrate various capabilities of the evaluation board. These programs are installed with the EZ-KIT Lite software and can be found in the ...\`212xx`\Examples\ADSP-21262 EZ-KIT Lite subdirectory of the VisualDSP++ installation directory. Please refer to the readme file provided with each example for more information.

## Background Telemetry Channel

The ADSP-21262 USB debug agent supports the background telemetry channel (BTC), which facilitates data exchange between VisualDSP++ and the processor without interrupting processor execution.

The BTC allows the user to view a variable as it is updated or changed, all while the processor continues to execute. For increased performance of the BTC, including faster reading and writing, please check out our latest line of SHARC processor emulators at <http://www.analog.com/processors/sharc/evaluationDevelopment/crosscore/index.html>. For more information about the background telemetry channel, see the *VisualDSP++ User's Guide* or online Help.

## Background Telemetry Channel

# 2 ADSP-21262 EZ-KIT LITE HARDWARE REFERENCE

This chapter describes the hardware design of the ADSP-21262 EZ-KIT Lite board. The following topics are covered.

- [“System Architecture” on page 2-2](#)  
Describes the configuration of the ADSP-21262 board and explains how the board components interface with the processor.
- [“Switch Settings” on page 2-9](#)  
Shows the location and describes the function of the board switches.
- [“LEDs and Push Buttons” on page 2-14](#)  
Shows the location and describes the function of the LEDs and push buttons.
- [“Connectors” on page 2-17](#)  
Shows the location and gives the part number for all of the connectors on the board. Also, the manufacturer and part number information is given for the mating parts.

## System Architecture

This section describes the processor's configuration on the EZ-KIT Lite board.

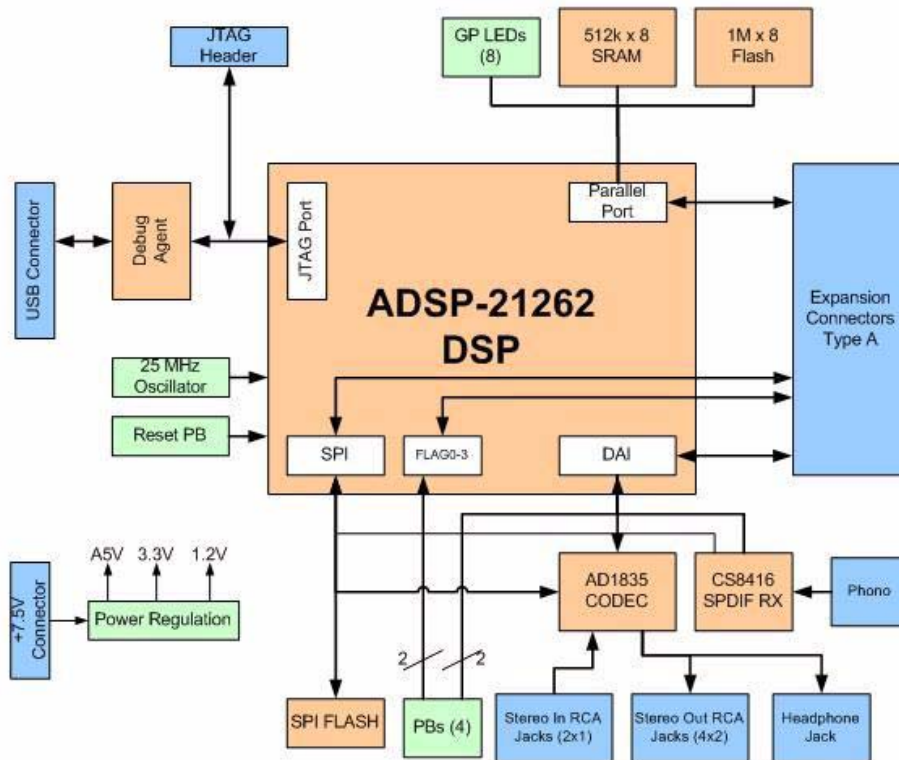


Figure 2-1. System Architecture Block Diagram

This EZ-KIT Lite has been designed to demonstrate the capabilities of the ADSP-21262 processor. The processor core is powered at 1.2V, and the IO is powered at 3.3V. Two 0-ohm resistors give access to the processor's power planes and allow to measure the power consumption of the proces-

sor. The R79 resistor provides access to the IO voltage of the processor, and the R80 resistor provides access to the core voltage plane of the processor.

The CLKIN pin of the processor connects to a 25 MHz oscillator. The core frequency of the processor is derived by multiplying the frequency at the CLKIN pin by a value determined by the state of the processor pins, CLKCFG1 and CLKCFG0. The value at these pins is determined by the state of the SW10 switch (see [“Boot Mode and Clock Ratio Select Switch \(SW10\)” on page 2-12](#)). By default, the EZ-KIT Lite gives a core frequency of 200 MHz.

The SW10 switch also configures the boot mode of the processor. The EZ-KIT Lite is capable of parallel port boot and serial port interconnect (SPI) master boot. By default, the EZ-KIT Lite boots from the parallel port. For information about configuring the boot modes, see [“Boot Mode and Clock Ratio Select Switch \(SW10\)” on page 2-12](#).

## Parallel Port

The parallel port (PP) of the ADSP-21262 processor consists of a 16-bit multiplex address/data memory bus (AD15-0) and an address latch-enable pin (ALE). The interface does not have any memory select pins; these signals must be generated by decoding the address.

The PP connections to the EZ-KIT Lite are shown in [Figure 2-2](#). The PP connects to an 8-bit parallel flash memory, an 8-bit SRAM memory, and eight general-purpose LEDs. The upper three address bits connect to a 3-to-8 decoder, providing eight memory select pins. See [“External Memory” on page 1-7](#) for more information about accessing the flash and SDRAM memories.

## System Architecture

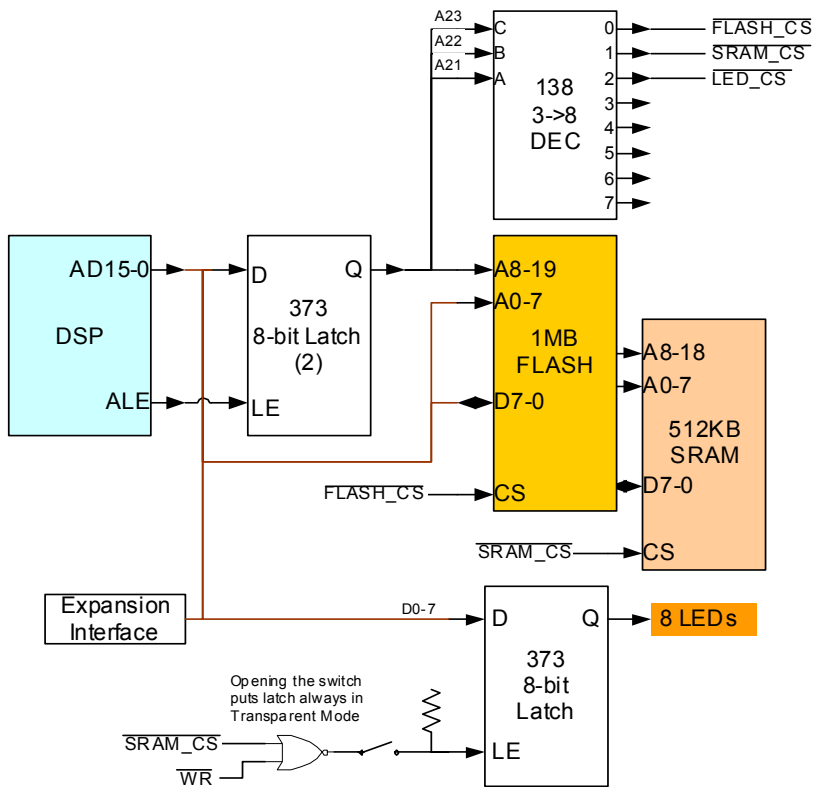


Figure 2-2. Parallel Port Connections Block Diagram

Because the PP is a multiplexed address/data memory bus, two 8-bit latches are used to latch the upper address bits. Additional latch is used to drive the LEDs. The latter allows the LED values to be written to as if they were at a memory location. For more information about using the LEDs, refer to the [“LEDs and Push Buttons”](#) on page 1-11.

All of the PP signals are available externally via the expansion interface connectors (J1-3). The pinout of the connectors can be found in [“ADSP-21262 EZ-KIT Lite Schematic”](#) on page B-1.



## DAI Interface

The pins of the digital audio interface (DAI) connect to the signal routing unit (SRU). The SRU is a flexible routing system, providing a large system of signal flows within the processor. In general, the SRU allows to route the DAI pins to different internal peripherals in various combinations.

The DAI pins connect to the AD1835A audio codec, the CS8414 S/PDIF receiver, the audio oscillator output, and two push buttons. [Figure 2-3](#) illustrates the EZ-KIT Lite connections to the DAI.

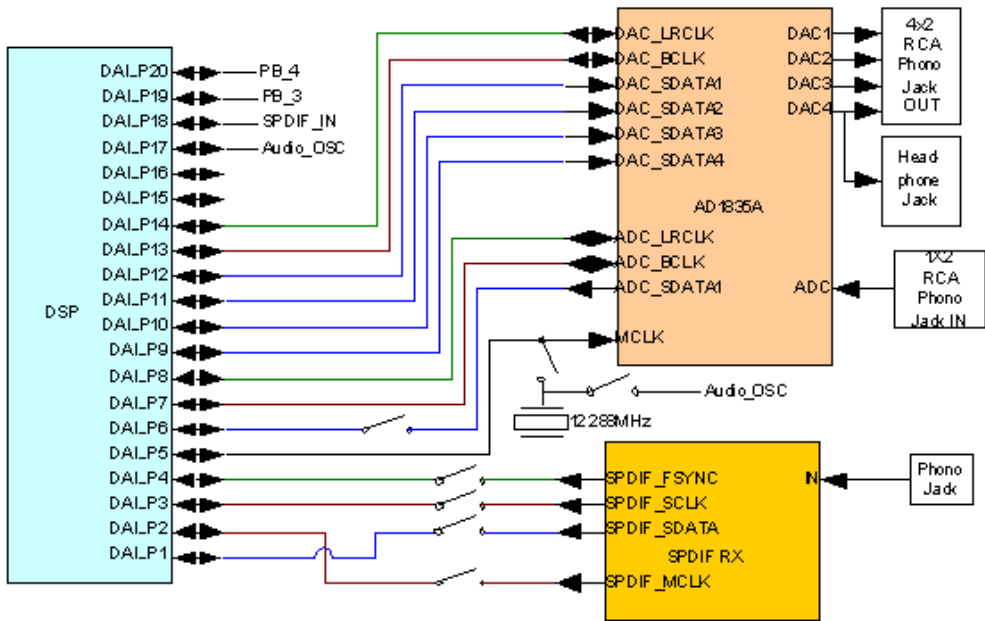


Figure 2-3. DAI Connections Block Diagram

Refer to “[Analog Audio Interface](#)” on page 1-8 and “[Digital Audio Interface](#)” on page 1-10 for more information about setting the processor to communicate with these devices.

## System Architecture

To use the DAI for a different purpose, disable any signal, which is driving the DAI pins, with a switch. See [“Codec Setup Switch \(SW7\)” on page 2-10](#) and [“S/PDIF Signal Enable Switch \(SW8\)” on page 2-11](#) for how to information. In addition, the codec setup switch allows flexible routing of the 12.288 MHz audio oscillator’s output signal. By default, this signal is used as the master clock (MCLK) for the AD1835A codec.

## SPI Interface

The processor’s serial peripheral interconnect (SPI) interface connects to an SPI flash memory, the CS8416 S/PDIF receiver, and the AD1835A audio codec. The FLAG0 pin is used as a memory select for accessing the SPI flash memory, and the FLAG3 pin is used for accessing the AD1835A’s configuration registers.

The SPI chip select lines for the SPI flash memory and the AD1835A audio codec connect to the processor via switch SW12 pins 1 and 3. The default for SW12 is all positions ON. The switch disables the SPI devices on the EZ-KIT Lite, allowing the same flag pins to be driven on the expansion interface

All of the SPI signals are available externally via the expansion interface connectors (J1-3), as well as the 0.1’ spaced header P2. The pinout of these connectors can be found in [“ADSP-21262 EZ-KIT Lite Schematic” on page B-1](#).

## Flag Pins

The processor has four general-purpose IO flag pins. [Table 2-1](#) describes the connection of each flag.

For information on how to disable the push buttons from driving the corresponding processor flag pin, see section [“Push Button Enable Switch \(SW9\)” on page 2-12](#).

Table 2-1. IO Flag Pins

Flag Pin	EZ-KIT Lite Function
FLAG0	SPI flash chip select
FLAG1	Push button (SW1) input
FLAG2	Push button (SW2) input
FLAG3	AD1835A SPI interface chip select

The flag signals are available externally via the expansion interface connectors (J3-1). The pinout of these connectors can be found in [“ADSP-21262 EZ-KIT Lite Schematic”](#) on page B-1.

## Expansion Interface

The expansion interface consists of the three 90-pin connectors. [Table 2-2](#) shows the interfaces each connector provides. For the exact pinout of these connectors, refer to [“ADSP-21262 EZ-KIT Lite Schematic”](#) on page B-1. The mechanical dimensions of the connectors can be obtained from [Technical or Customer Support](#).

Table 2-2. Expansion Interface Connectors

Connector	Interfaces
J1	5V, AD15-0
J2	3.3V, FLAG3-0, DAI_P20-1, SPI
J3	5V, 3.3V, RESET, parallel port control signals

## System Architecture

Limits to the current and to the interface speed must be taken into consideration when using the expansion interface. The maximum current limit is dependent on the capabilities of the used regulator. Additional circuitry can also add extra loading to signals, decreasing their maximum effective speed.



Analog Devices does not support and is not responsible for the effects of additional circuitry.

## JTAG Emulation Port

The JTAG emulation port allows an emulator to access the processor's internal and external memory through a 6-pin interface. The JTAG emulation port of the processor is also connected to the USB debugging interface. When an emulator connects to the board at ZP4, the USB debugging interface is disabled. This is not the standard connection of the JTAG interface.

For information about the standard connection of the interface, see *EE-68* published on the Analog Devices Web site (go to <http://www.analog.com> and search for *EE-68*). For more information about the JTAG connector, see “[JTAG Header \(ZP4\)](#)” on page 2-21. To learn more about available emulators, contact Analog Devices (see “[Product Information](#)”).

## Switch Settings

Figure 2-4 shows the locations and default settings of the EZ-KIT Lite switches.

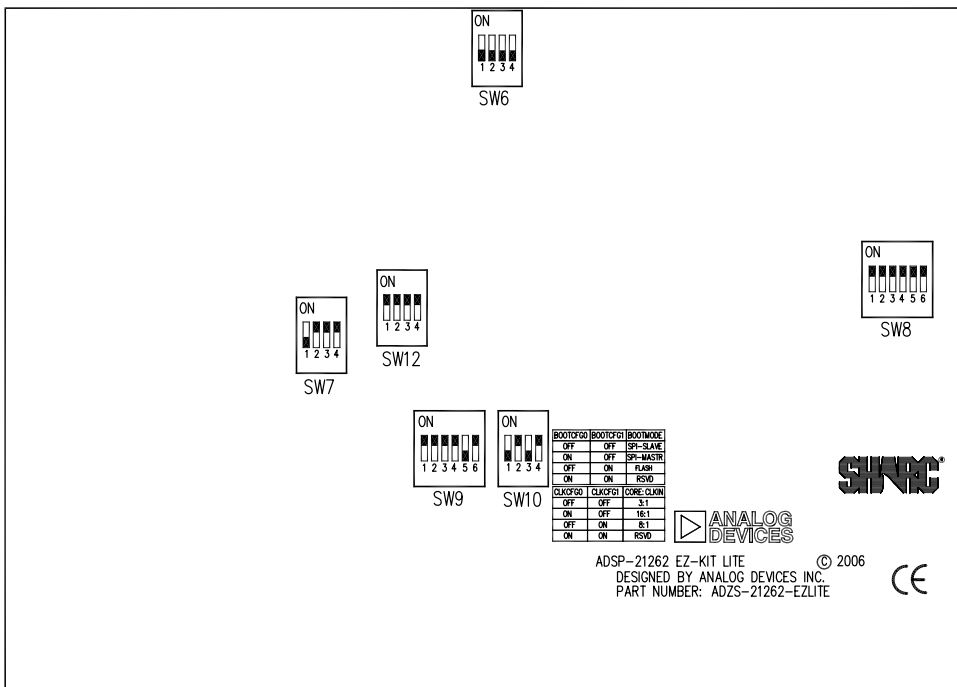


Figure 2-4. Switch Locations and Default Settings

### Electret Microphone Select Switch (SW6)

To connect an electret microphone to the audio input, place all positions of the SW6 switch ON. The default position of this switch is all OFF. When all of the switches are in the ON position, a DC offset of 2.5V is added to the signal, and gain of the input amplifiers is changed from 1x to 10x.

### Codec Setup Switch (SW7)

The codec setup switch (SW7) can be used to change the routing of some of the signals going to the AD1835A codec and to setup the communication protocol of the codec.

Positions 1 and 2 determine the clock routing for the audio oscillator to the codec and to the processor. [Figure 2-5](#) illustrates how the switch positions 1 and 2 are connected on the board. In the default position, route the DAI\_P17 pin to DAI\_P6 (in software) to clock the AD1835A.

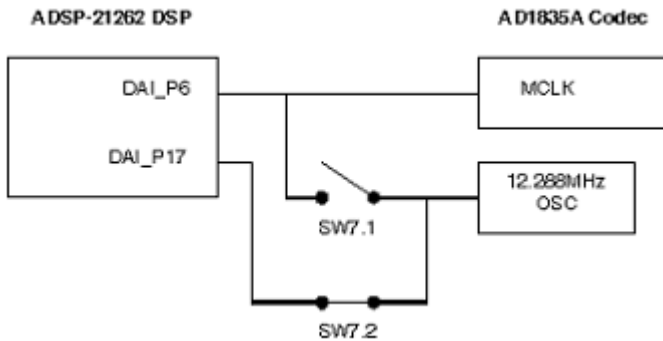


Figure 2-5. Audio Clock Routing

Position 3 of the SW7 switch determines if the AD1835A device is a master or is a slave. If the AD1835A is a master, the device's serial interface generates the frame sync and clock signals necessary to transfer data. When the device is a slave, the processor must generate the frame sync and clock signals. By default, position 3 is ON, and the AD1835A generates the control signals.

Position 4 of SW7 disconnects the AD1835A codec's ADC\_DATA pin from the DAI interface. This is useful when the DAI interface is to connect to another device.

## S/PDIF Signal Enable Switch (SW8)

The S/PDIF signal enable switch (SW8) disconnects always driving signal of the CS8416 S/PDIF receiver serial interface.

[Table 2-3](#) shows which processor signal is no longer being driven when the corresponding switch position is OFF.

Table 2-3. SW8 Connections

Switch Position	Processor Pin	S/PDIF RX Pin
1	DAI_P2	MCK
2	DAI_P1	SDATA
3	DAI_P4	FSYNC
4	DAI_P3	SCK
5	DAI_P15	SPI_CS
6	DAI_P16	GP00

### Push Button Enable Switch (SW9)

The push button enable switch (SW9) disconnects the push buttons from the corresponding processor pins. This allows the signals to be used for another purpose. [Table 2-4](#) shows the signal and SW9 connections. By default, all of the position of the SW9 switch are ON, allowing the push buttons to function as designed.

Table 2-4. Push Button Enable Switch (SW9) Connections

Switch Position	Push Button Reference Designator	Processor Pin
1	SW1	FLAG1
2	SW2	FLAG2
3	SW3	DAI_P19
4	SW4	DAI_P20

Position 6 of SW9 connects or disconnects the latch-enable pin of the LED to the logical OR of the  $\sim$ WE and  $\sim$ LED\_CS signals. When position is OFF, the latch-enable pin of the LED latch (U24) is always pulled high, making the latch transparent. In this position, the value of the LEDs is directly connected to AD7-0. When position 6 is ON, the values of the LEDs are set by writing to a memory location. The lower 8 bits of the data, written to the address 0x1400 0000, set the values of the LEDs. By default, position 6 is ON, allowing the LEDs to be written by writing to a memory address. For more information refer to [“LEDs and Push Buttons” on page 1-11](#).

### Boot Mode and Clock Ratio Select Switch (SW10)

The SW10 switch sets the boot mode and clock multiplier ration. [Table 2-5](#) shows how to set up the boot mode using positions 1 and 2. By default, the EZ-KIT Lite boots in SPI master mode and parallel port mode, and the processor boots from flash memory.



Table 2-5. Boot Mode Configuration

BOOTCFG1 Pin (Position 2)	BOOTCFG0 Pin (Position 1)	Boot Mode
OFF	OFF	SPI slave
OFF	ON	SPI master
ON	OFF	Parallel flash boot (default)
ON	ON	Internal

Table 2-6 shows how to set up the clock multiply ratio using positions 3 and 4. By default, the processor increases the clock multiply ratio by 8, setting the core clock to 200 MHz.

Table 2-6. Core Clock Rate Configuration

CLKCFG1 (Position 4)	CLKCFG0 (Position 3)	Core to CLKIN Ratio
OFF	OFF	3:1
OFF	ON	16:1
ON	OFF	8:1 (default)
ON	ON	NA

## Loop-Back Test Switch (SW11)

The loop-back test switch (SW11) connects to GP01 of the CS8416. The functionality of GP01 is programmable via SPI.

## SPI Disable Switch (SW12)

The SPI interface switch (SW12) disables the SPI chip select lines connected to the SPI flash memory and the AD1835A audio codec. The switch also disables the ADC\_LRCLK and ADC\_BCLK signals on the AD1835A device. The switch allows a customer to re-use the same pins on the SPI

## LEDs and Push Buttons

interface and on the expansion interface. The SW12 default is all positions ON, unless any of the switch signals or the SPI interface signals are used on the expansion connector or via an EZ-Extender®.

## LEDs and Push Buttons

This section describes the functionality of the LEDs and push buttons. Figure 2-6 shows the locations of the LEDs and push buttons.

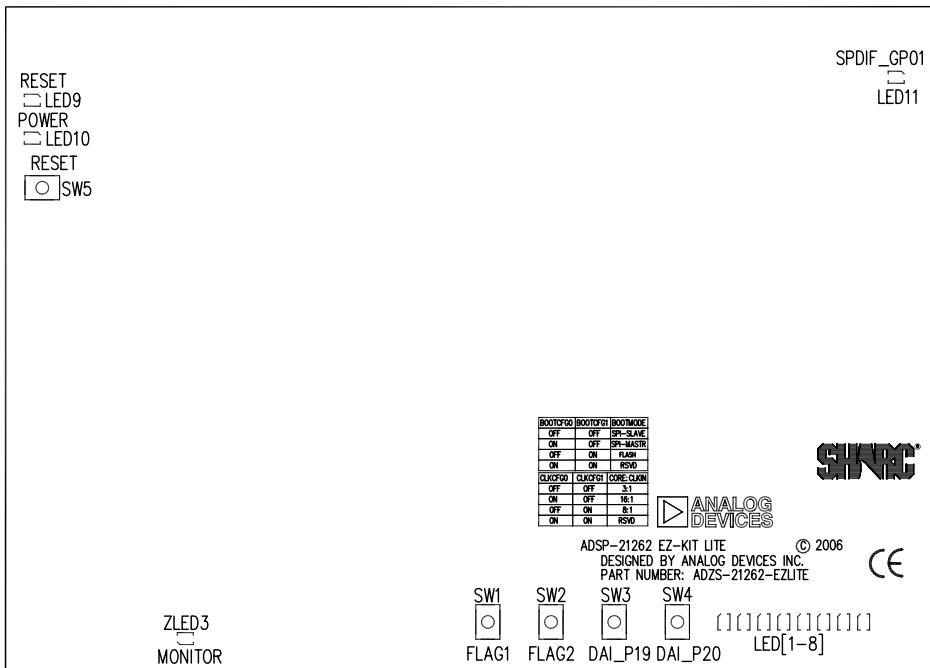


Figure 2-6. LED and Push Button Locations

## General Purpose LEDs (LED8–1)

Eight general-purpose LEDs are connected to the processor through a latch on signals AD7–0. These LEDs can be accessed by writing to the FLAG registers or by writing to a memory address. Refer to “[LEDs and Push Buttons](#)” on page 1-11 for more information.

## Reset LED (LED9)

When LED9 is lit (red), the master reset of all the major ICs is active.

## Power LED (LED10)

When LED10 is lit (green), it indicates that power is being properly supplied to the board.

## S/PDIF GP01 LED (LED11)

The S/PDIF GP01 LED (LED11) connects to the GP01 signal of the CS8416. The functionality of GP01 is programmable via SPI.

## USB Monitor LED (ZLED3)

The USB monitor LED (ZLED3) indicates that USB communication has been initialized successfully and you may connect to the processor using a VisualDSP++ EZ-KIT Lite session. Once the USB cable is plugged into the board, it takes approximately 15 seconds for the USB monitor LED to light. If the LED does not light, try cycling power on the board and/or reinstalling the USB driver.



When VisualDSP++ is actively communicating with the EZ-KIT Lite target board, the LED can flicker, indicating communications handshake.

### Push Buttons (SW4–1)

Four push buttons (SW4-1) are provided for general-purpose user input. Two of the push buttons connect to the processor's FLAG pins. The other two connect to the processor's DAI. The push buttons are active high and, when pressed, send a high (1) to the processor. Refer to [“LEDs and Push Buttons” on page 1-11](#) for more information. The push button enable switch (SW9) is capable of disconnecting the push buttons from the corresponding processor pin (refer to [“Push Button Enable Switch \(SW9\)” on page 2-12](#) for more information). The processor signals and corresponding push buttons are summarized in [Table 2-7](#).

Table 2-7. Push Button Connections

Processor Signal	Push Button Reference Designator	Processor Signal	Push Button Reference Designator
FLAG1	SW1	DAI_P19	SW3
FLAG2	SW2	DAIP_20	SW4

### Board Reset Push Button (SW5)

The RESET push button (SW5) resets all of the ICs on the board.

## Connectors

This section describes the connector functionality and provides information about mating connectors. [Figure 2-7](#) shows the connector locations.

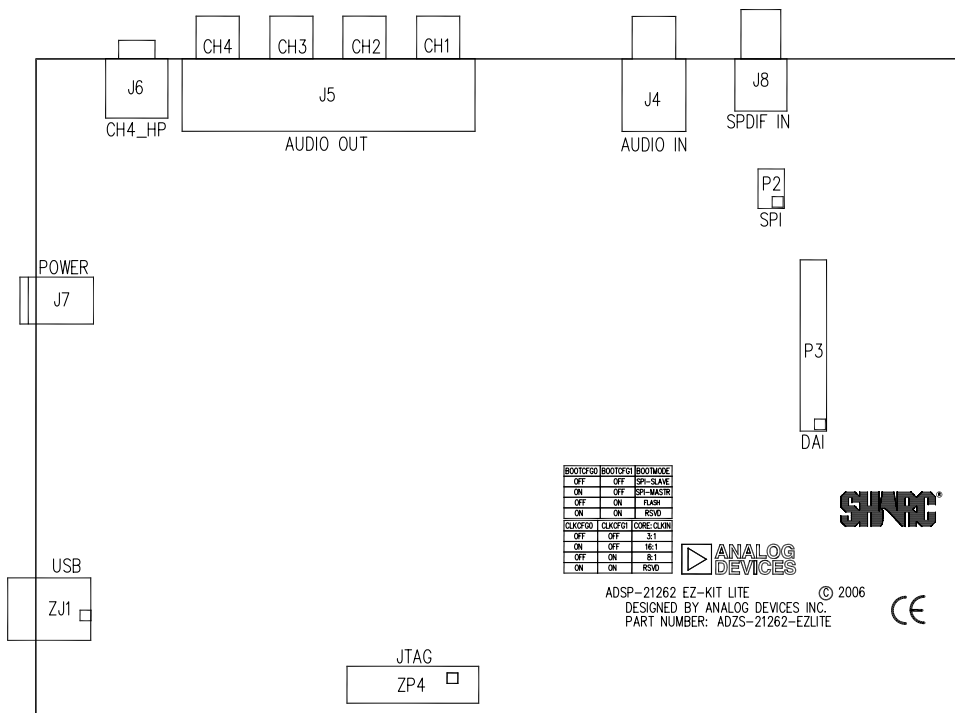


Figure 2-7. Connector Locations

## Expansion Interface (J1–3)

Three board-to-board connectors (J1–3) provide signals for most of the processor’s peripheral interfaces. The connectors are located at the bottom of the board. For more information about the expansion interface, see [“Expansion Interface” on page 2-7](#). For the J1–3 connector availability and pricing, contact Samtec.

## Connectors

Part Description	Manufacturer	Part Number
90-position 0.05" spacing, SMT (J1, J2, J3)	SAMTEC	SFC-145-T2-F-D-A
<b>Mating Connectors</b>		
90-position 0.05" spacing (through hole)	SAMTEC	TFM-145-x1 series
90-position 0.05" spacing (surface mount)	SAMTEC	TFM-145-x2 series
90-position 0.05" spacing (low cost)	SAMTEC	TFC-145 series

### Audio In RCA Connector (J4)

Part Description	Manufacturer	Part Number
Two-channel right-angle RCA jack	SWITCHCRAFT	PJRS1X2S02X
<b>Mating Cable</b>		
Two-channel RCA interconnect cable	MONSTER CABLE	BI100-1M

### Audio Out RCA Connector (J5)

Part Description	Manufacturer	Part Number
Six-channel right-angle RCA jack	SWITCHCRAFT	PJRS4X2U01X
<b>Mating Cable</b>		
Two-channel RCA interconnect cable	MONSTER CABLE	BI100-1M

### Headphone Out Jack (J6)

Part Description	Manufacturer	Part Number
3.5 mm stereo jack (J6)	A/D ELECTRONICS	ST-323-5

## Power Jack (J7)

The power connector (J7) provides all of the power necessary to operate the EZ-KIT Lite board.

Part Description	Manufacturer	Part Number
2.5 mm power jack (J7)	SWITCHCRAFT DIGI-KEY	RAPC712X RAPC712X-ND
<b>Mating Power Supply (shipped with EZ-KIT Lite)</b>		
7V power supply	CUI STACK	DMS070214-P6P-SZ

The power connector supplies DC power to the EZ-KIT Lite board. [Table 2-8](#) shows the power supply specifications.

Table 2-8. Power Supply Specifications

Terminal	Connection
Center pin	+7 VDC@2.14A
Outer ring	GND

## S/PDIF Coax Connector (J8)

Part Description	Manufacturer	Part Number
Coaxial (J8)	SWITCHCRAFT	PJРАН1X1U01X

## SPI Header (P2)

The SPI connector (P2) provides access to all of the SPI signals in the form of a .1” spacing header. In addition, the FLAG1 signal can be used as a chip select. If you are using FLAG1 as a chip select, disable the push button associated with the flag. For more information, see [“Push Button Enable Switch \(SW9\)” on page 2-12](#).

## Connectors

Part Description	Manufacturer	Part Number
6-pin IDC header (P2)	SULLINS	GEC03DAAN

### DAI Header (P3)

The DAI connector (P3) provides access to all of the DAI signals in the form of a .1" spacing header. When using the header to access the processor's DAI pins, ensure that signals, which normally drive the processor's DAI pins, are disabled. Refer to [“Codec Setup Switch \(SW7\)” on page 2-10](#) for more information on how to disable signals already being driven from elsewhere on the EZ-KIT Lite.

Part Description	Manufacturer	Part Number
26-pin IDC header (P3)	BERG	54102-T08-13LF

### USB Connector (ZJ1)



The USB connector (ZJ1) allows to configure and program the processor.

Part Description	Manufacturer	Part Number
Type B USB receptacle (ZJ1)	MILL-MAX DIGI-KEY	897-30-004-90-000 ED90064-N



## JTAG Header (ZP4)

The JTAG header (ZP4) is the connecting point for a JTAG in-circuit emulator pod. When an emulator is connected to the JTAG header, the USB debug interface is disabled.

-  Pin 3 is missing to provide keying. Pin 3 in the mating connector should have a plug.
-  When using an emulator with the EZ-KIT Lite board, follow the connection instructions provided with the emulator.

Part Description	Manufacturer	Part Number
14-pin IDC header (ZP4)	FCI	68737-414HLF

## Connectors

# A ADSP-21262 EZ-KIT LITE BILL OF MATERIALS

The bill of materials corresponds to “[ADSP-21262 EZ-KIT Lite Schematic](#)” on page B-1. Please check the latest schematic on the Analog Devices Web site:

<http://www.analog.com/processors/sharc/technicalLibrary/manuals/index.html#Evaluation%20Kit%20Manuals>.

Ref.	Qty.	Description	Reference Designator	Manufacturer	Part Number
1	1	74LVC14A SOIC14	U33	TI	74LVC14AD
2	1	SN74AHC1G02 SOT23-5	U26	TI	SN74AHC1G02DBVRE4
3	1	25MHZ OSC001	U16DIGI-KEY	DIGI-KEY	SGR-8002DC-PCC-ND
4	1	12.288MHZ OSC003	U17	DIGI-KEY	SG-8002CA-PCC-ND(12.288M)
5	1	74LVC138AD SOIC16	U25	TI	SN74LVC138AD
6	3	74LVC373APW TSSOP20	U18,U21,U24	TI	SN74LVC373APWRE4
7	1	IS61LV5128AL TSOP44	U15	ISSI	IS61LV5128AL-10TLI
8	1	LTC1877 MSOP8	VR5	LINEAR TECH	LTC1877EMS8#PBF
9	1	CS8416-CS SOIC28	U3	CIRRUS LOGIC	CS8416-CSZ

Ref.	Qty.	Description	Reference Designator	Manufacturer	Part Number
10	1	FDC658P SOT23-6	U13	FAIRCHILD	FDC658P
11	1	21262 AT25F2048N "U12"	U12	ATMEL	AT25F2048N-10SU-2.7
12	1	21262 AM29LV081B "U19"	U19	AMD	AM29LV081-120ED
13	1	ADM708SARZ SOIC8	U22	ANALOG DEVICES	ADM708SARZ
14	1	AD8532ARZ SOIC8	U10	ANALOG DEVICES	AD8532ARZ
15	2	ADP3336ARM Z MSOP8	VR1,VR4	ANALOG DEVICES	ADP3336ARMZ-REEL
16	8	AD8606ARZ SOIC8	U2,U4-9,U11	ANALOG DEVICES	AD8606ARZ
17	1	ADSP-21262SK BC-200 BGA136	U1	ANALOG DEVICES	ADSP-21262SKBCZ200
18	1	AD1835AASZ MQFP52	U14	ANALOG DEVICES	AD1835AASZ
19	1	ADP1864 SOT23-6	VR2	ANALOG DEVICES	ADP1864AUJZ-R7
20	5	RUBBER FOOT	M1-5	MOUSER	517-SJ-5018BK
21	1	PWR 2.5MM_JACK CON005	J7	SWITCHCRAFT	RAPC712X
22	1	RCA 4X2 CON011	J5	SWITCHCRAFT	PJRS4X2U01X
23	1	RCA 1X1 CON012	J8	SWITCHCRAFT	PJRN1X1U01X

## ADSP-21262 EZ-KIT Lite Bill Of Materials

Ref.	Qty.	Description	Reference Designator	Manufacturer	Part Number
24	5	MOMENTARY SWT013	SW1-5	PANASONIC	EVQ-PAD04M
25	3	.05 45X2 CON019	J1-3	SAMTEC	SFC-145-T2-F-D-A
26	1	DIP8SWT016	SW11	C&K	TDA08H0SB1
27	2	DIP6SWT017	SW8-9	CTS	218-6LPST
28	4	DIP4SWT018	SW6-7,SW10, SW12	ITT	TDA04HOSB1
29	1	RCA RCA_1X2 CON031	J4	SWITCHCRAFT	PJRS1X2S02X
30	1	IDC 7X2 IDC7X2	ZP4	FCI	68737-414HLF
31	1	2.5A RESETABLE FUS001	F1	RAYCHEM	SMD250F-2
32	1	3.5MM STEREO_JACK CON001	J6	A/D ELEC- TRONICS	ST-323-5
33	1	IDC 13x2 IDC13x2	P3	BERG	54102-T08-13LF
34	1	IDC 3X2 IDC3X2	P2	SULLINS	GEC03DAAN
35	1	0 1/4W 5% 1206	R82	KOA	0.0ECTRk7372BTED
36	9	YELLOW LED001	LED1-8,LED11	PANASONIC	LN1461C
37	8	330PF 50V 5% 0805	C104,C106,C108, C110,C112,C114, C116,C118	AVX	08055A331JAT

Ref.	Qty.	Description	Reference Designator	Manufacturer	Part Number
38	13	0.01UF 100V 10% 0805	C66,C127,C153, C155,C157-158, C160-164,C182, C188	AVX	08051C103KAT2A
39	8	0.22UF 25V 10% 0805	C77,C87, C99-102,C111, C131	AVX	08053C224FAT
40	14	0.1UF 50V 10% 0805	C1,C47, C120-121, C132-133,C141, C148,C152,C156, C186-187	AVX	08055C104KAT
41	6	1000PF 50V 5% 0805	C79,C82-83,C85, C88,C98	AVX	08055A102JAT2A
42	21	10K 1/10W 5% 0805	R63-64,R66,R70, R74,R76,R78, R92,R96,R98, R152,R159-164, R171-174	VISHAY	CRCW080510K0JNEA
43	3	33 1/10W 5% 0805	R68,R81,R135	VISHAY	CRCW080533R0JNEA
44	2	4.7K 1/10W 5% 0805	R72,R176	VISHAY	CRCW08054K70JNEA
45	2	2.0K 1/8W 1% 1206	R3,R5	VISHAY	CRCW12062K00FKEA
46	10	49.9K 1/8W 1% 1206	R114-115, R117-124	VISHAY	CRCW120649K9FKEA
47	12	100PF 100V 5% 1206	C2-12,C64	AVX	12061A101JAT2A
48	1	2.2UF 35V 10% B	CT21	AVX	TAJB225K035R
49	2	10UF 16V 10% B	CT13-14	AVX	TAJB106K016R

## ADSP-21262 EZ-KIT Lite Bill Of Materials

Ref.	Qty.	Description	Reference Designator	Manufacturer	Part Number
50	4	100 1/10W 5% 0805	R185-188	VISHAY	CRCW0805100RJNEA
51	2	301.0 1/4W 1% 1206	R1-2	VISHAY	CRCW1206301RFKEA
52	9	220PF 50V 10% 1206	C90-97,C183	AVX	12061A221JAT2A
53	1	2A S2A DO-214AA	D2	MICRO COMM	S2A-TP
54	6	600 100MHZ 500MA 1206	FER1-2,FER5-8	STEWARD	HZ1206B601R-10
55	4	237.0 1/8W 1% 1206	R13-14,R18,R20	VISHAY	CRCW1206237RFKEA
56	2	750.0K 1/8W 1% 1206	R11,R116	VISHAY	CRCW1206750KFKEA
57	4	5.76K 1/8W 1% 1206	R6,R10,R19,R22	VISHAY	CRCW12065K76FKEA
58	1	3.01K 1/8W 1% 1206	R125	KOA	RK73H2BTDD3011F
59	10	11.0K 1/8W 1% 1206	R47,R49-50, R52-53,R55-56, R58,R113,R136	VISHAY	CRCW120611K0FKEA
60	5	1UF 16V 10% 0805	C39,C44,C48, C56,C61	PANASONIC	ECJ2FB1E105K
61	1	75 1/8W 5% 1206	R112	VISHAY	CRCW120675R0JNEA
62	1	30PF 100V 5% 1206	C55	AVX	12061A300JAT2A
63	1	10 1/10W 5% 0805	R150	VISHAY	CRCW080510R0FKEA
64	1	249.0K 1/10W 1% 0805	R86	VISHAY	CRCW0805249KFKEA

Ref.	Qty.	Description	Reference Designator	Manufacturer	Part Number
65	1	124.0K 1/10W 1% 0805	R83	VISHAY	CRCW0805-124KFKEA
66	1	47.0K 1/10W 1% 0805	R17	VISHAY	CRCW080547K0FKEA
67	12	680PF 50V 1% 0805	C76,C80-81,C89, C103,C105,C107, C109,C113,C115, C117,C119	AVX	08055A681FAT2A
68	3	10UF 25V +80-20% 1210	C46,C49,C75	PANASONIC	ECJ4YF1E106Z
69	8	2.74K 1/8W 1% 1206	R140-147	VISHAY	CRCW12062K74FKEA
70	20	5.49K 1/8W 1% 1206	R7,R15-16,R21, R25,R28,R31, R34,R37,R40, R43,R46,R48, R51,R54,R57, R59-62	VISHAY	CRCW12065K49FKEA
71	8	1.65K 1/8W 1% 1206	R23,R26,R29, R32,R35,R38, R41,R44	VISHAY	CRCW12061K65FKEA
72	10	10UF 16V 20% CAP002	CT1-9,CT12	PANASONIC	EEE1CA100SR
73	2	68UF 25V 20% CAP003	CT10-11	PANASONIC	EEE-FC1E680P
74	1	2A SL22 DO-214AA	D1	DIGI-KEY	SL22-E3/1GI-ND
75	1	10UH 20% IND001	L1	TDK	445-2014-1-ND
76	1	270 1/10W 5% 0805	R137	VISHAY	CRCW0805270RJNEA



## ADSP-21262 EZ-KIT Lite Bill Of Materials

Ref.	Qty.	Description	Reference Designator	Manufacturer	Part Number
77	10	0 1/10W 5% 0805	R4,R9,R12,R73, R79-80,R90, R126,R151,R192	VISHAY	CRCW08050000Z0EA
78	1	190 100MHZ 5A FER002	FER3	MURATA	DLW5BSN191SQ2
79	8	3.32K 1/10W 1% 0805	R24,R27,R30, R33,R36,R39, R42,R45	PANASONIC	ERJ-6ENF3321V
80	4	1.2K 1/10W 5% 0805	R155-158	VISHAY	CRCW08051K20JNEA
81	6	10UF 6.3V 10% 0805	C26,C40,C50, C52,C84,C145	AVX	080560106KAT2A
82	3	6.04K 1/10W 1% 0805	R65,R148-149	DIGI-KEY	311-6.04KCRCT-ND
83	7	0.1UF 10V 10% 0402	C41,C128-129, C136,C140,C142, C144	AVX	0402ZD104KAT2A
84	5	0.01UF 16V 10% 0402	C134,C138,C147, C149,C151	AVX	0402YC103KAT2A
85	1	47UF 16V 10% D	CT19	DIGI-KEY	478-1788-2-ND
86	8	1000PF 50V 5% 0402	C130,C135,C137, C139,C143,C146, C150,C154	AVX	04025C102JAT2A
87	2	64.9K 1/10W 1% 0805	R67,R87	VISHAY	CRCW080564K9FKEA
88	2	210.0K 1/4W 1% 0805	R69,R88	VISHAY	CRCW0805210KFKEA
89	1	1A SK12 DO-214AA	D3	DIODES INC	B120B-13-F
90	1	0.022UF 50V 5% 0805	C65	AVX	08055C223JAT2A

Ref.	Qty.	Description	Reference Designator	Manufacturer	Part Number
91	1	68PF 50V 5% 0603	C16	AVX	06035A680JAT2A
92	1	470PF 50V 5% 0603	C15	AVX	06033A471JAT2A
93	1	0 1/10W 5% 0603	R85	PHYCOMP	232270296001L
94	1	24.9K 1/10W 1% 0603	R84	DIGI-KEY	311-24.9KHTR-ND
95	1	47UF 6.3V 10% B	CT20	PANASONIC	EEE0JA470WR
96	1	0.05 1/2W 1% 1206	R89	SUSUMA	RL16326-R051-F-N
97	1	10UF 16V 10% 1210	C17	AVX	1210YD106KAT2A
98	1	GREEN LED001	LED10	PANASONIC	LN1361CTR
99	1	REDLED001	LED9	PANASONIC	LN1261CTR
100	2	1000PF 50V 5% 1206	C37-38	AVX	12065A102JAT2A
101	8	2200PF 50V 5% 1206	C67-74	AVX	12065A222JAT050
102	10	270 1/8W 5% 1206	R138-139, R177-184	VISHAY	CRCW1206270RJNEA
103	8	604.0 1/8W 1% 1206	R127-134	PANASONIC	ERJ-8ENF6040V
104	4	1UF20V20%A	CT15-18	AVX	TAJA105K020R
105	1	255.0K 1/10W 1% 0603	R93	VISHAY	CRCW06032553FK

## ADSP-21262 EZ-KIT Lite Bill Of Materials

Ref.	Qty.	Description	Reference Designator	Manufacturer	Part Number
106	1	80.6K 1/10W 1% 0603	R91	DIGI-KEY	311-80.6KHRCT-ND
107	1	6.8UH 25% IND009	L2	DIGI-KEY	308-1328-1-ND




A

B

C

D

# ADSP-21262 EZ-KIT Lite Schematic

		<b>ANALOG DEVICES</b>	20 Cotton Road Nashua, NH 03063 PH: 1-800-ANALOGD
<b>Title</b>		ADSP-21262 EZ-KIT Lite TITLE	
<b>Size</b> C	<b>Board No.</b>	A0174-2002	<b>Rev</b> 2.0
<b>Date</b>	6-2-2006_13:45	<b>Sheet</b>	1 of 11

A

B

C

D

1

1

2

2

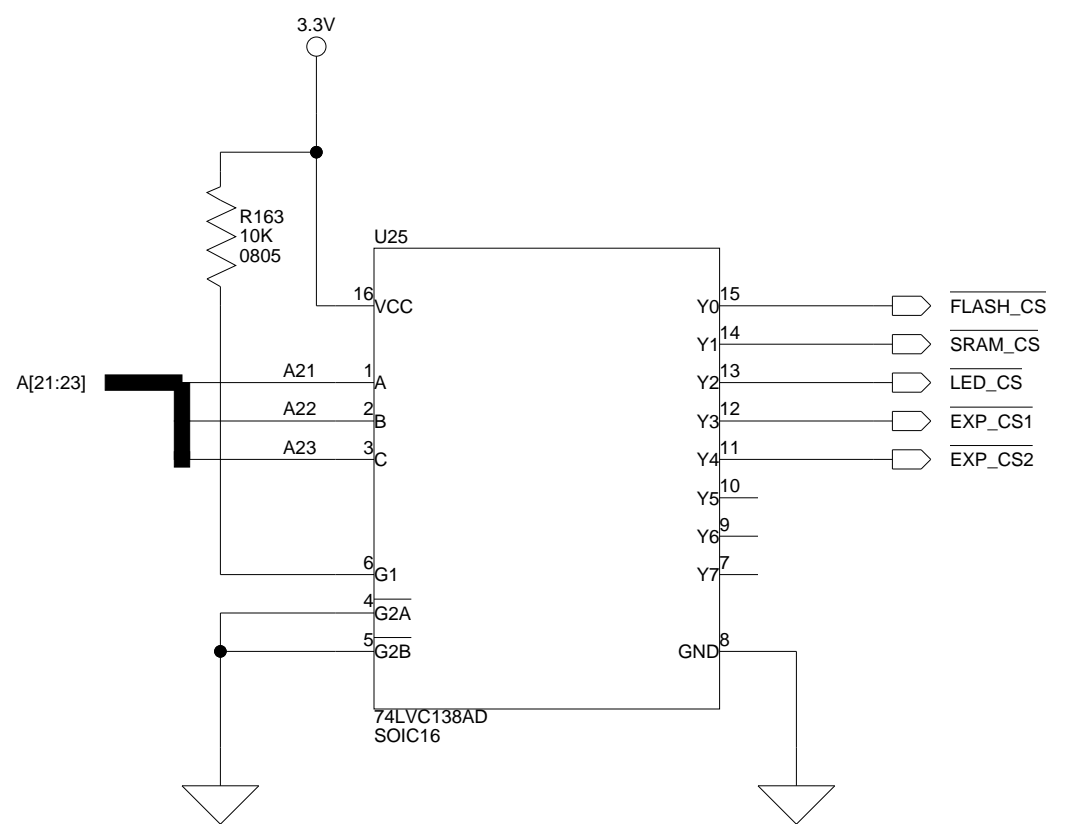
3

3

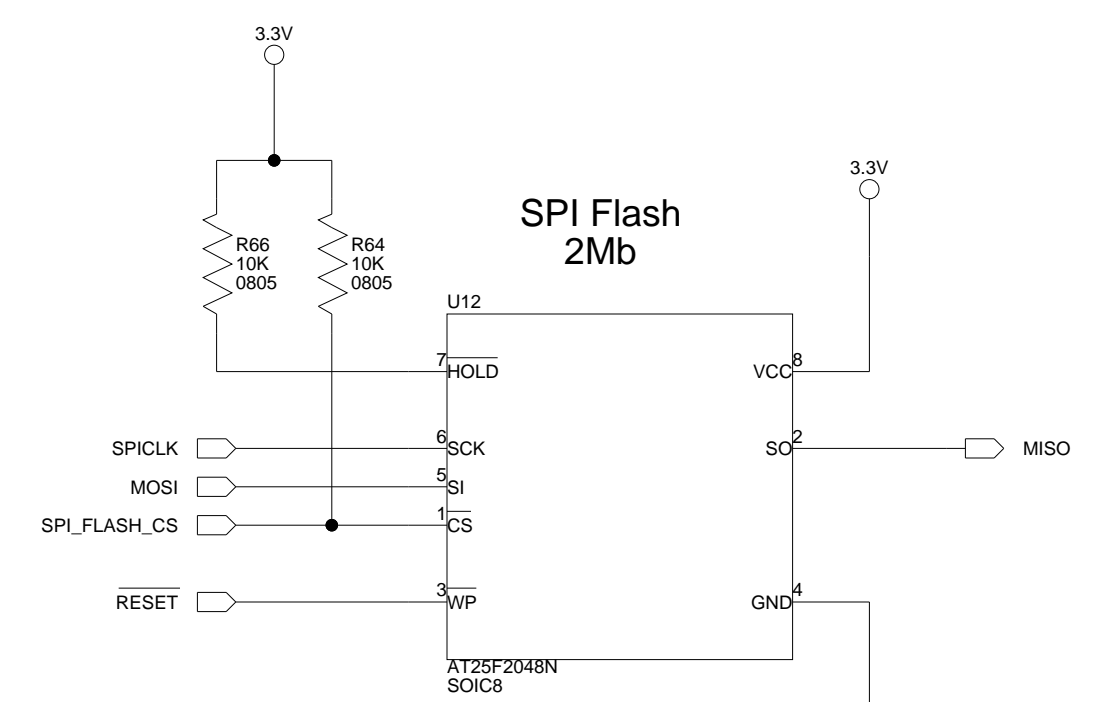
4

4

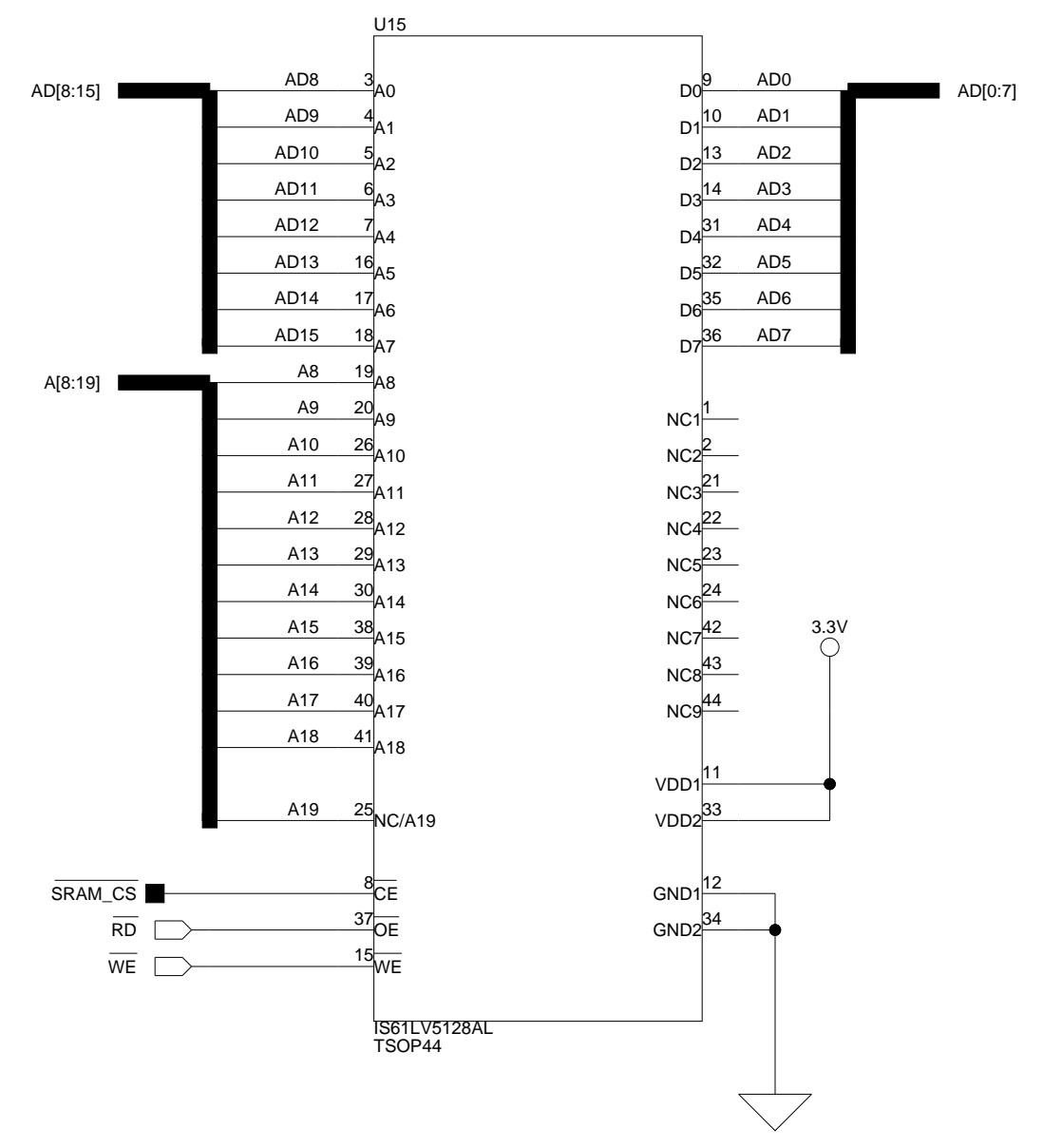
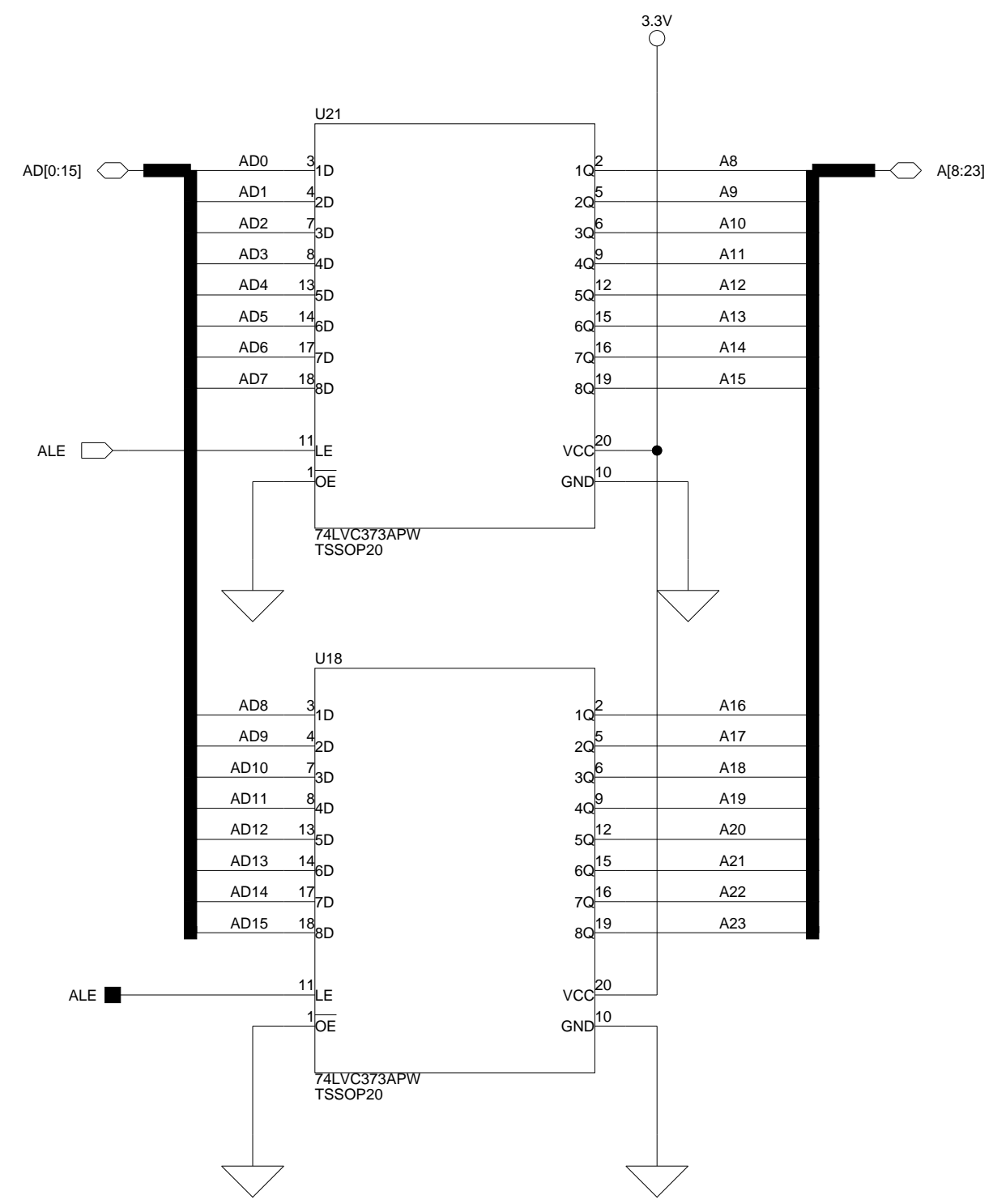




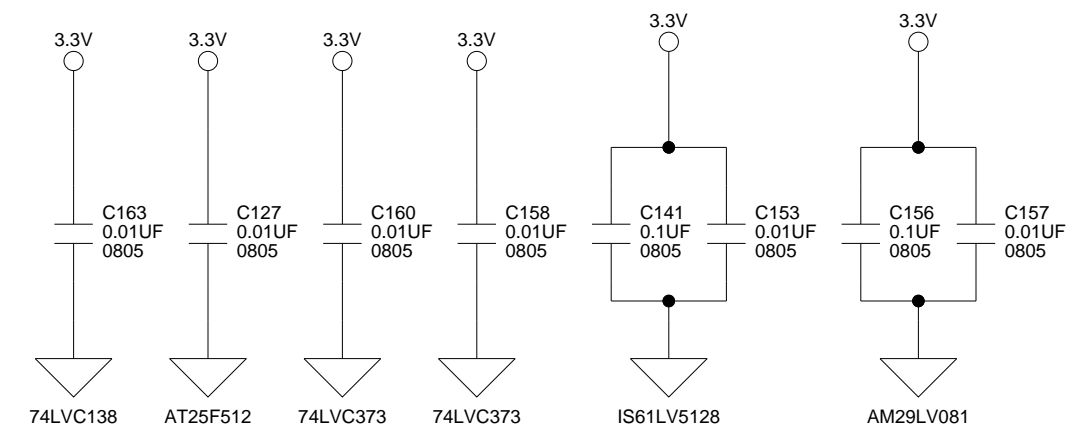
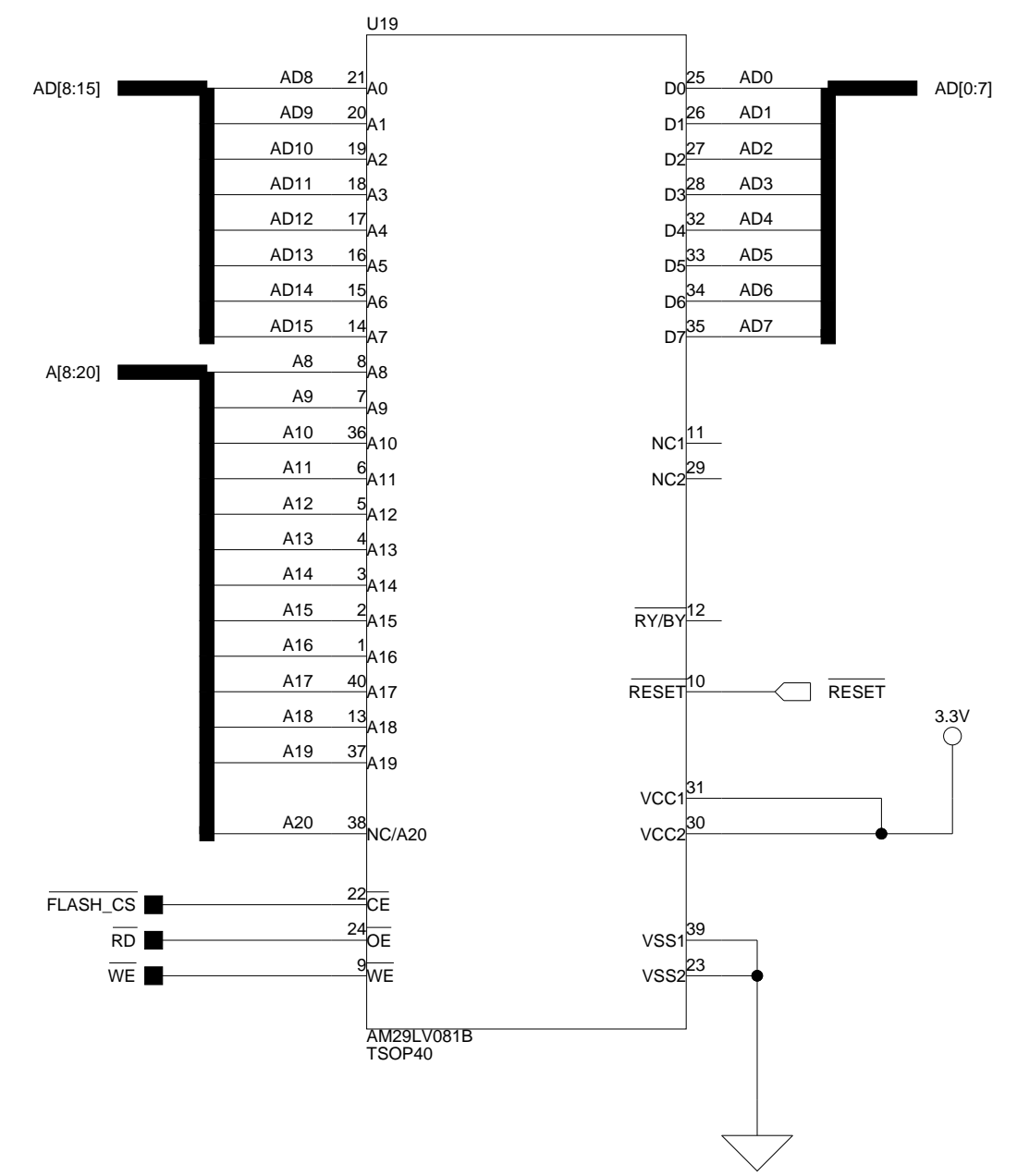
VALID DSP ADDRESS		BANK END ADDRESS	A23	A22	A21	BANK	DEVICE
START	END						
1A0 0000	X	1FF FFFF	1	-	-	-	NONE
180 0000	X	19F FFFF	1	0	0	Y4	EXPANSION INTERFACE CS 2
160 0000	X	17F FFFF	0	1	1	Y3	EXPANSION INTERFACE CS 1
140 0000		15F FFFF	0	1	0	Y2	LEDs
120 0000		13F FFFF	0	0	1	Y1	SRAM
100 0000		11F FFFF	0	0	0	Y0	FLASH



SRAM  
4Mb (512K x 8-bit)



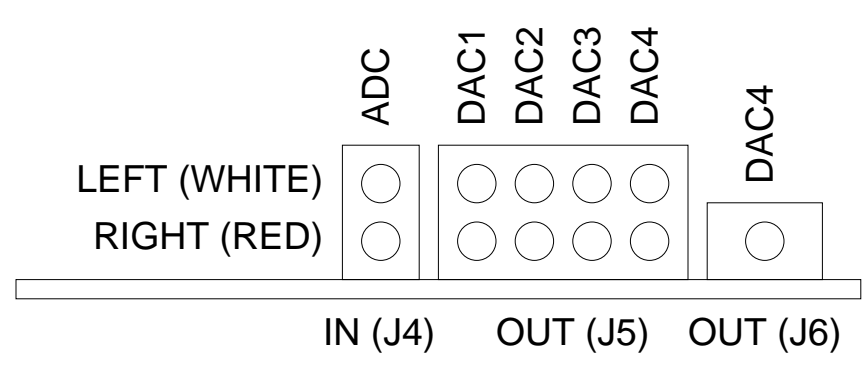
Flash  
8Mb (1M x 8-bit)



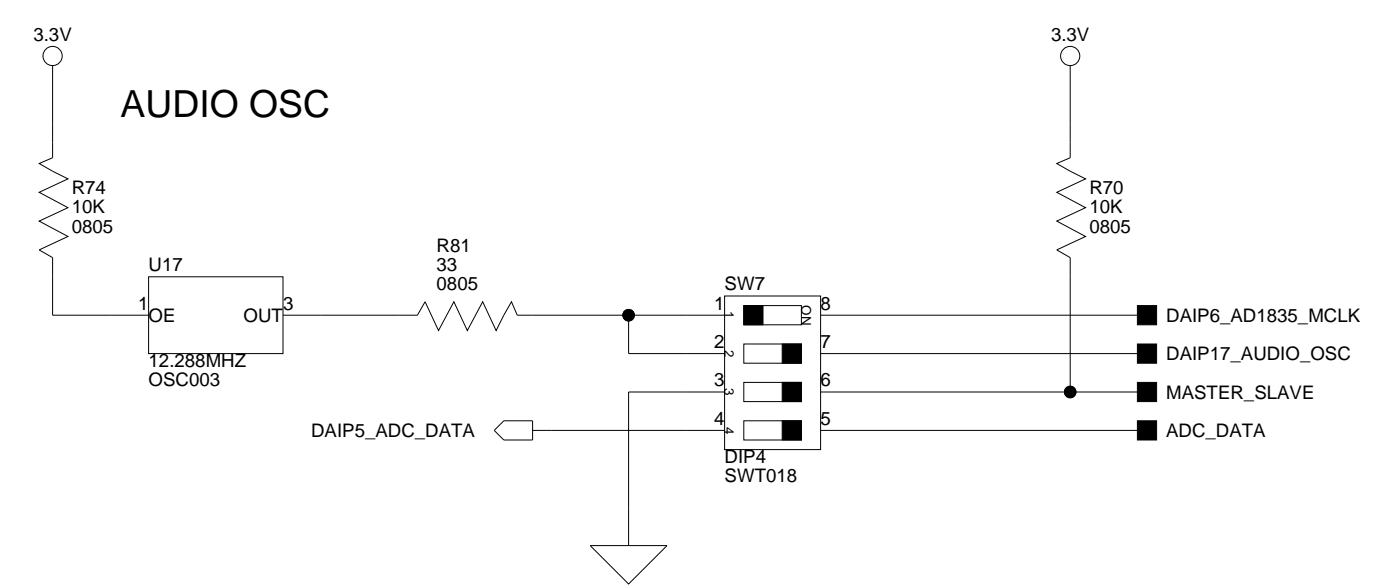
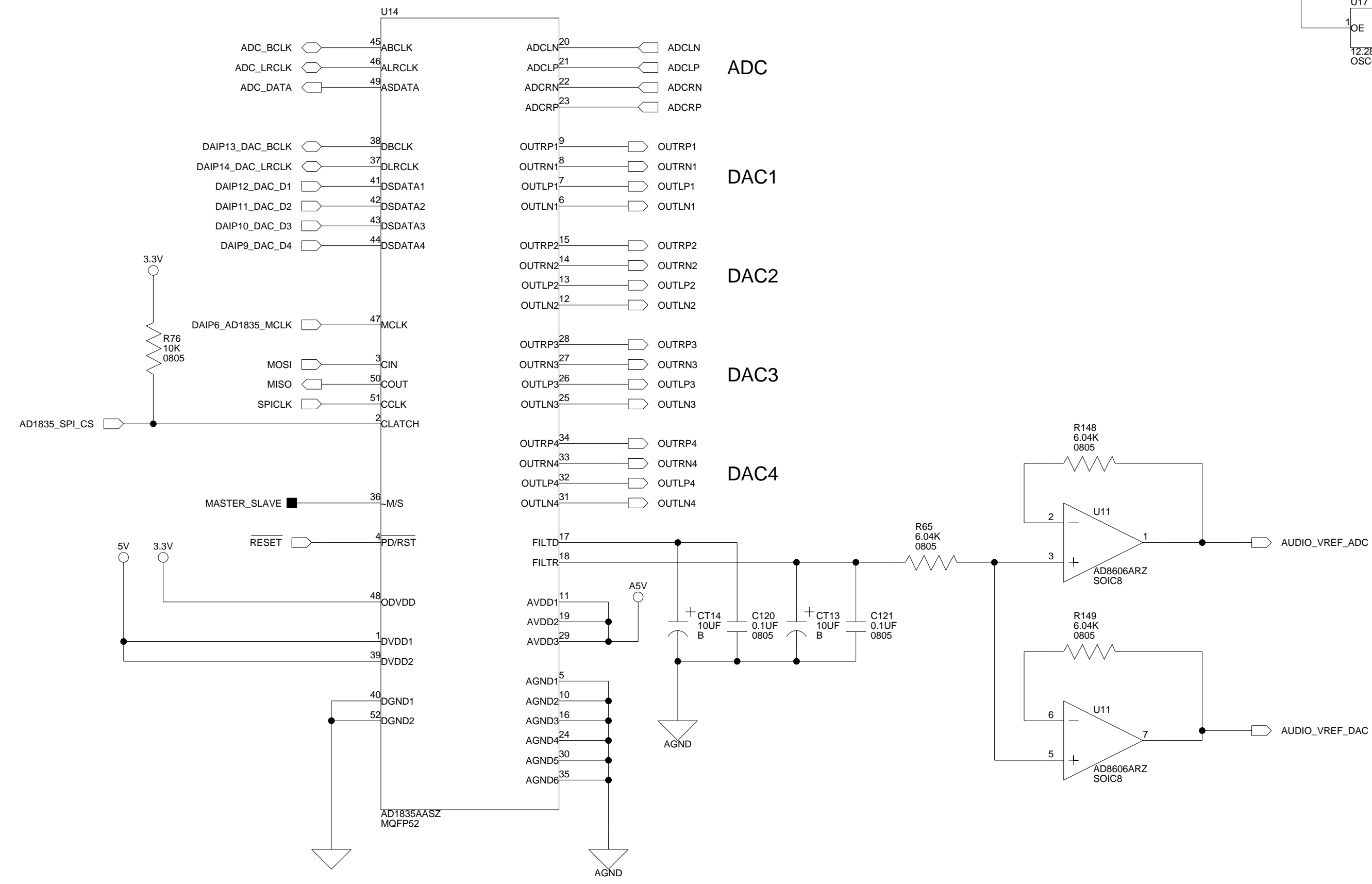
**ANALOG DEVICES**

20 Cotton Road  
Nashua, NH 03063  
PH: 1-800-ANALOGD

Title			<b>ADSP-21262 EZ-KIT Lite MEMORY</b>		
Size C	Board No.	A0174-2002			Rev 2.0
Date	6-2-2006_13:45	Sheet	3	of	11



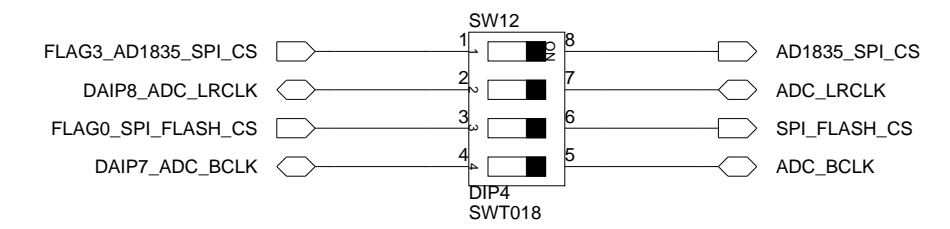
**AD1835 AUDIO CODEC**



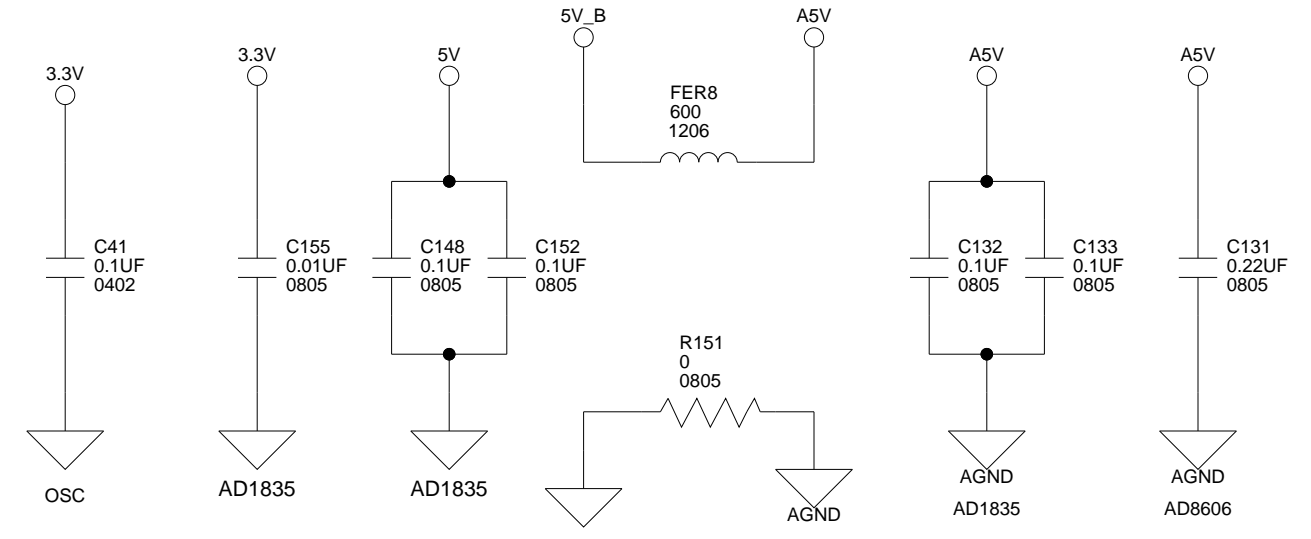
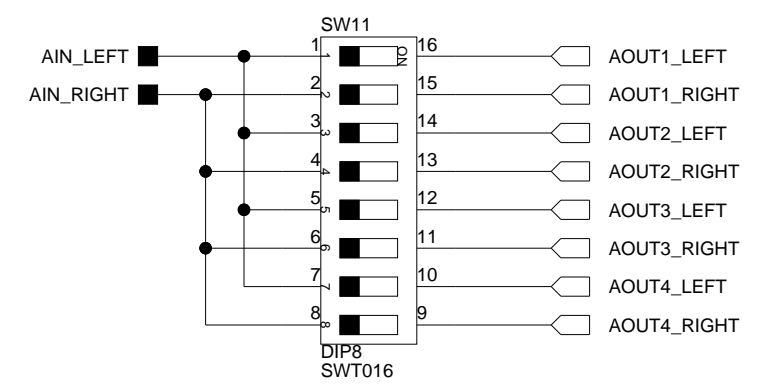
**SW7: CODEC SETUP SWITCH**  
(Default: 1=OFF, 2=ON, 3=ON, 4=ON)

1-2	Connects or disconnects the audio oscillator depending on how the system is setup. See users manual for more information.
3	OFF = AD1835 is SLAVE ON = AD1835 is MASTER
4	Disconnects ADC_DATA signal from driving the corresponding DAI pin. Useful if using this DAI pin for another purpose.

**DISCONNECTS SIGNALS FROM SPI FLASH AND AD1835**  
(Default= All ON)



**Loopback Test Switch**  
(Default= All OFF)  
For Test Purposes Only



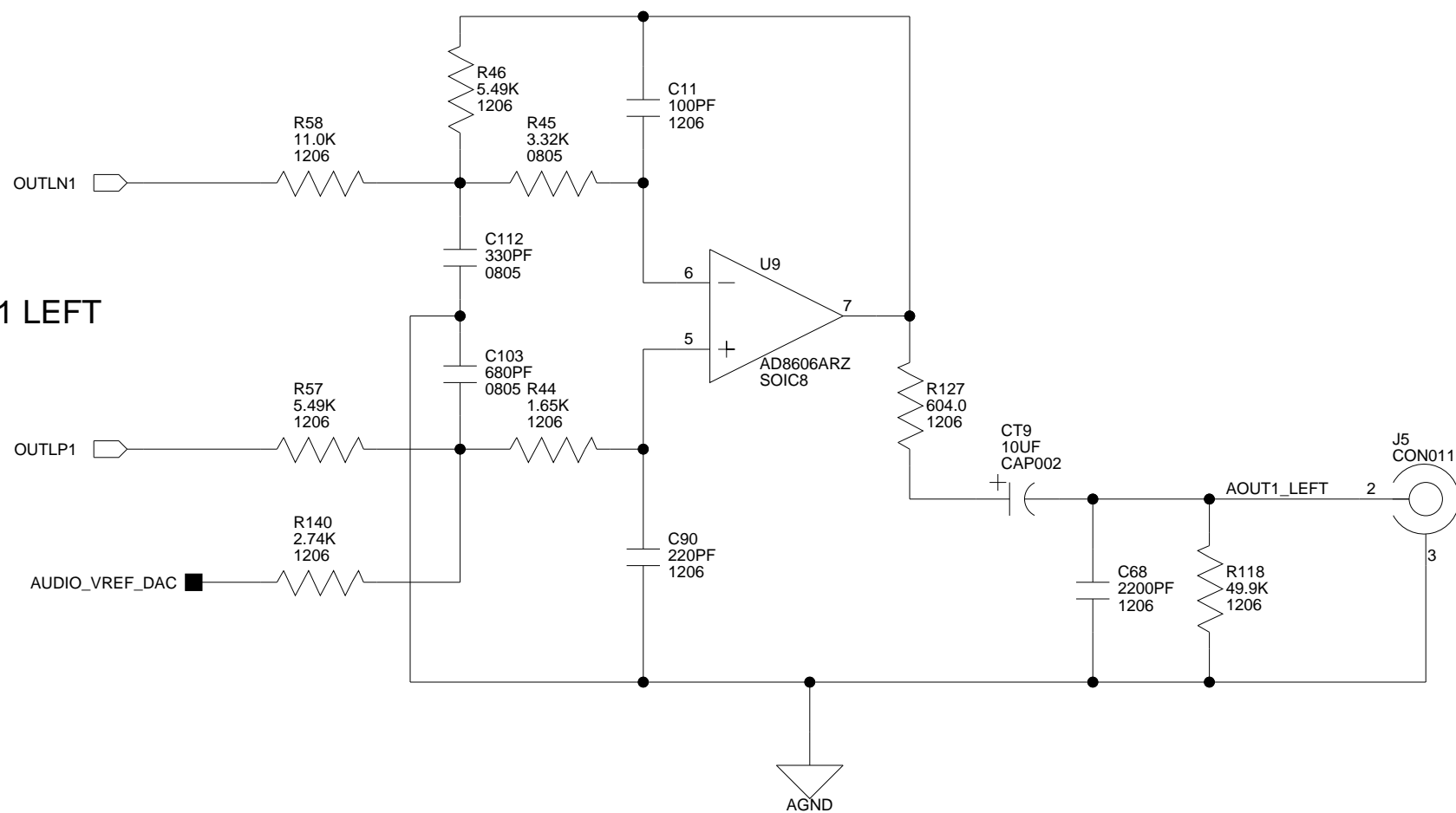
**ANALOG DEVICES**

20 Cotton Road  
Nashua, NH 03063  
PH: 1-800-ANALOGD

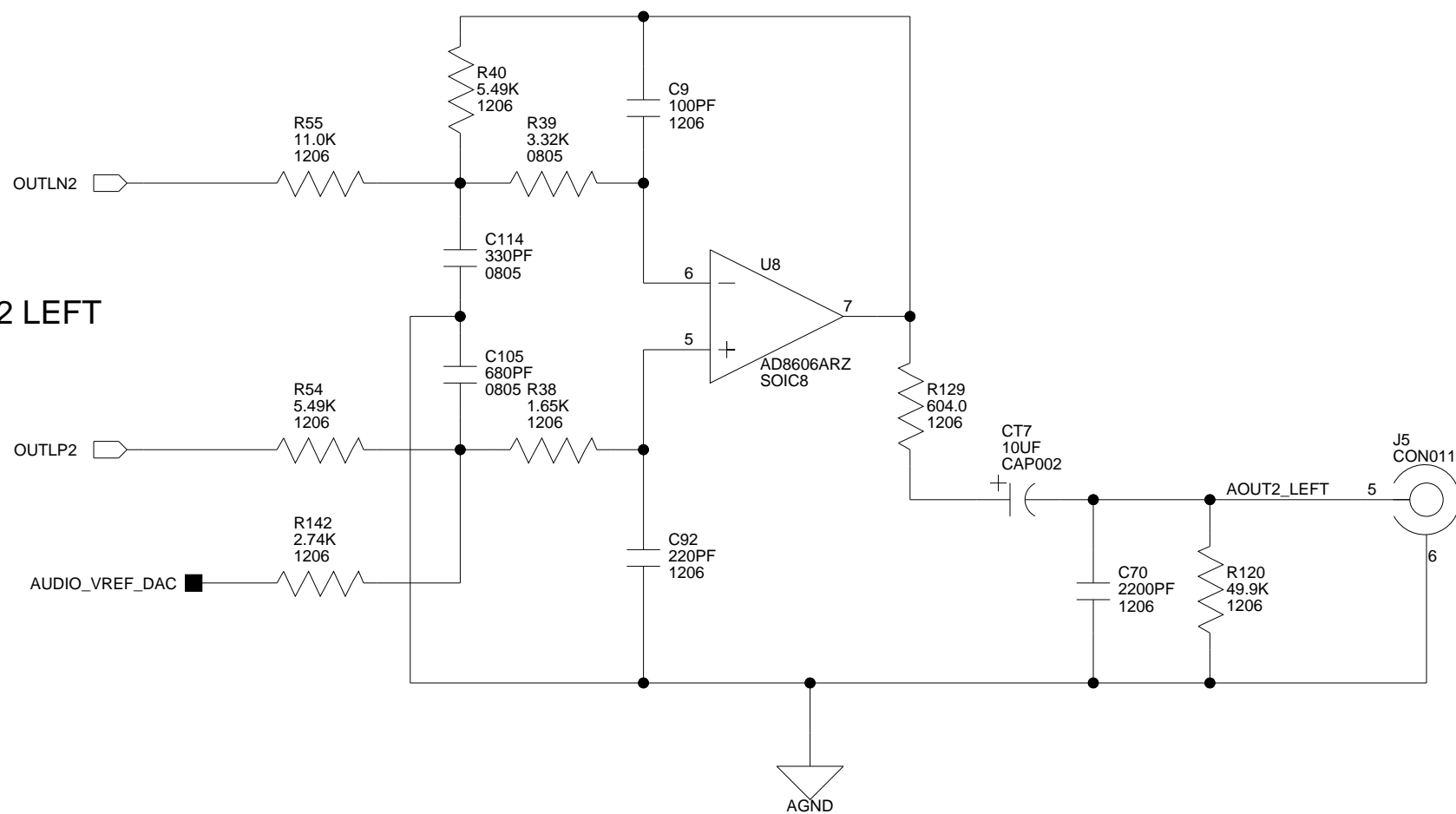
<b>Title</b>		<b>ADSP-21262 EZ-KIT Lite ANALOG AUDIO</b>	
<b>Size C</b>	<b>Board No.</b>	<b>A0174-2002</b>	
<b>Date</b>	6-2-2006_13:45	<b>Sheet</b>	<b>4 of 11</b>
		<b>Rev</b>	<b>2.0</b>



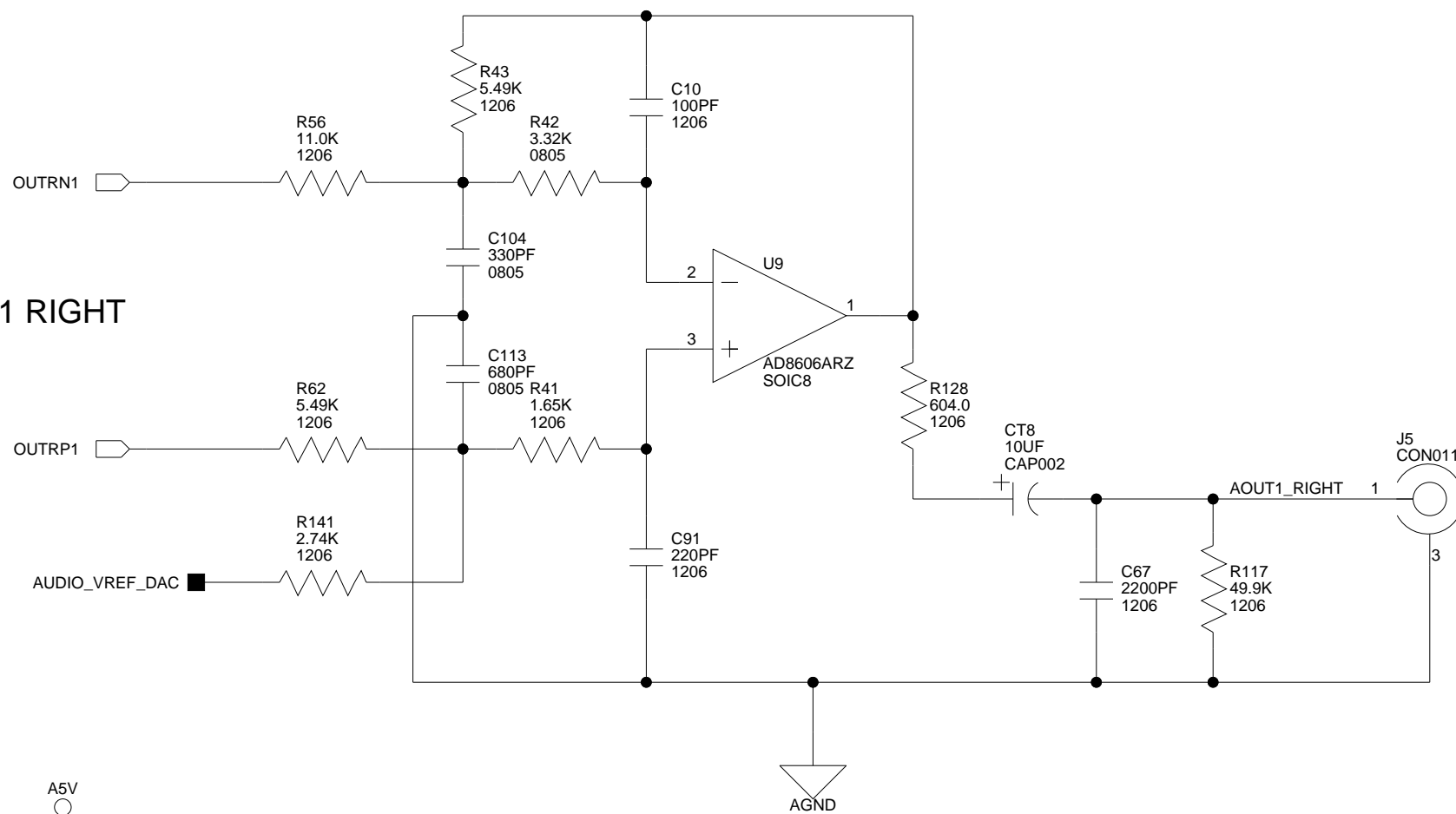
DAC1 LEFT



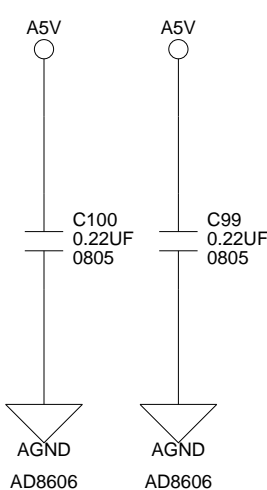
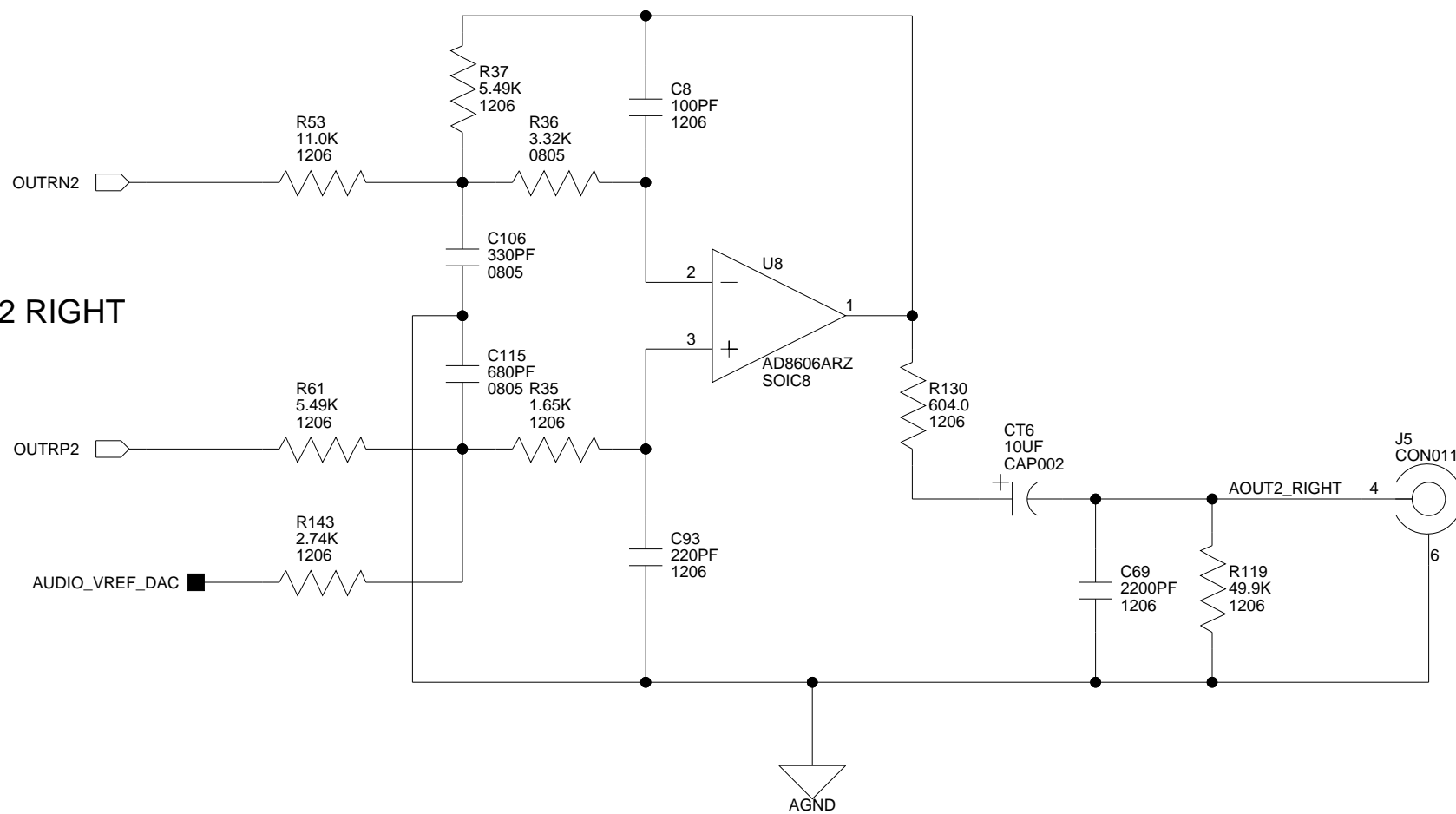
DAC2 LEFT

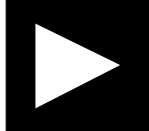


DAC1 RIGHT

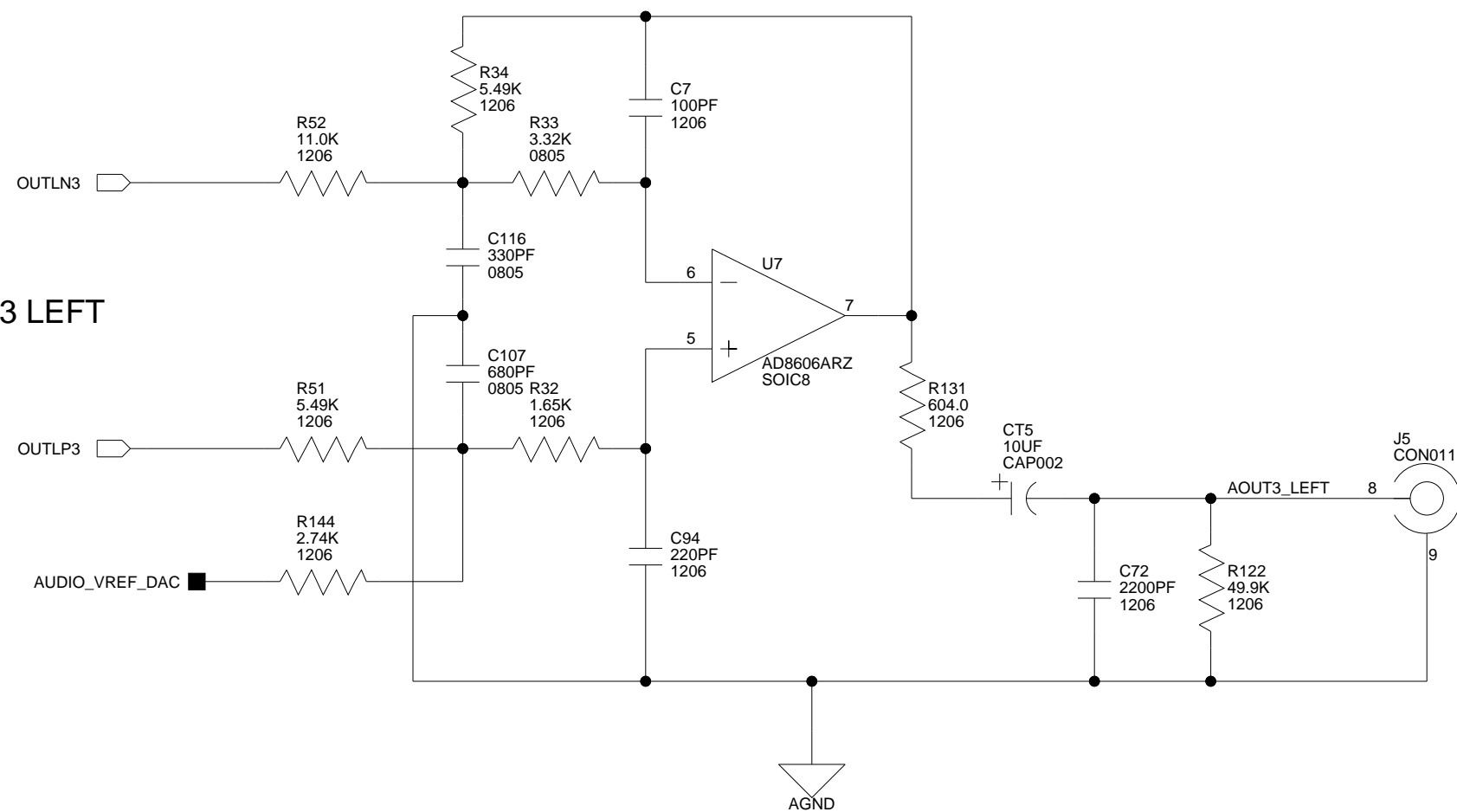


DAC2 RIGHT

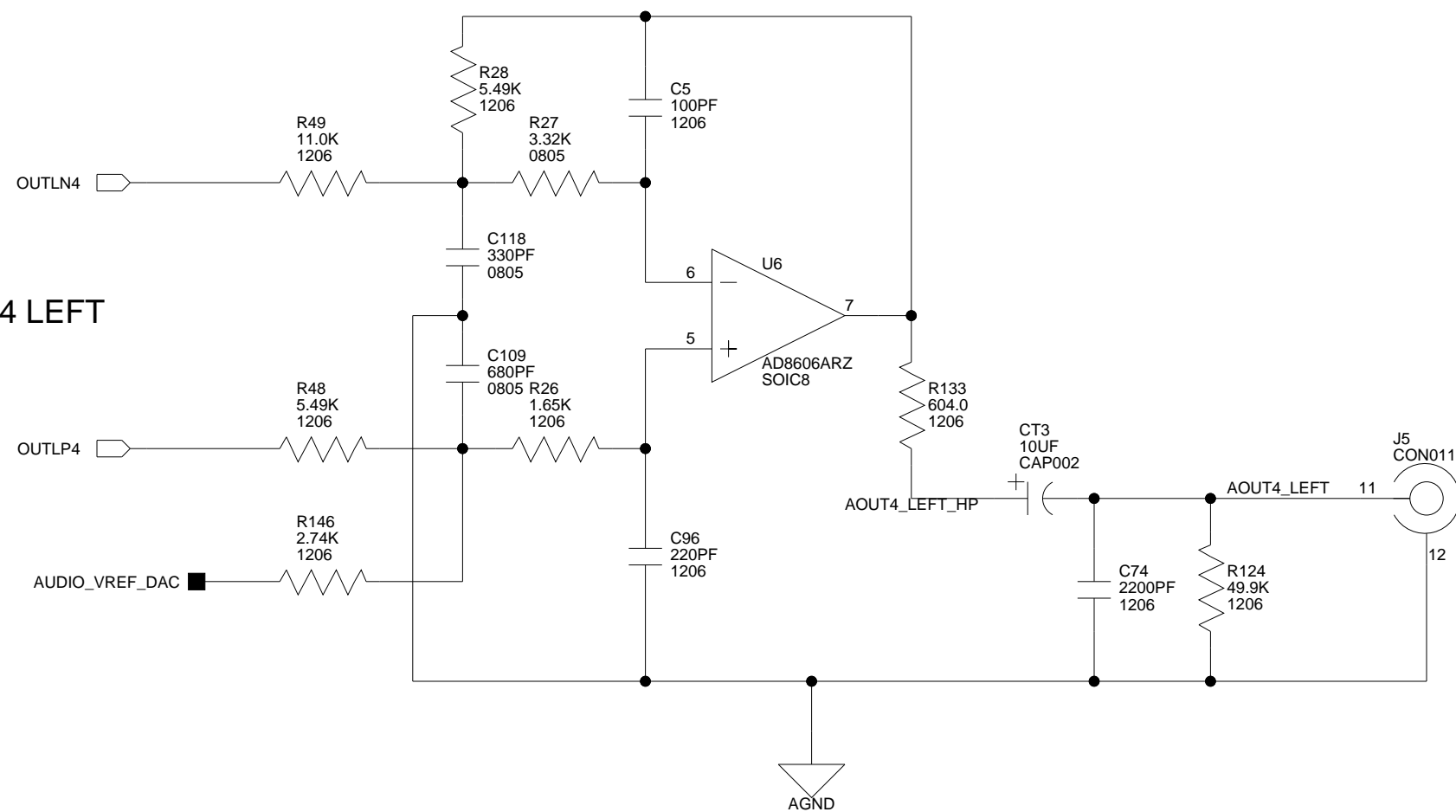


 <b>ANALOG DEVICES</b>		20 Cotton Road Nashua, NH 03063 PH: 1-800-ANALOGD	
		<b>Title</b> ADSP-21262 EZ-KIT Lite AUDIO OUT 1	
<b>Size</b> C	<b>Board No.</b> A0174-2002	<b>Rev</b> 2.0	
<b>Date</b> 6-2-2006_13:45	<b>Sheet</b> 5 of 11		

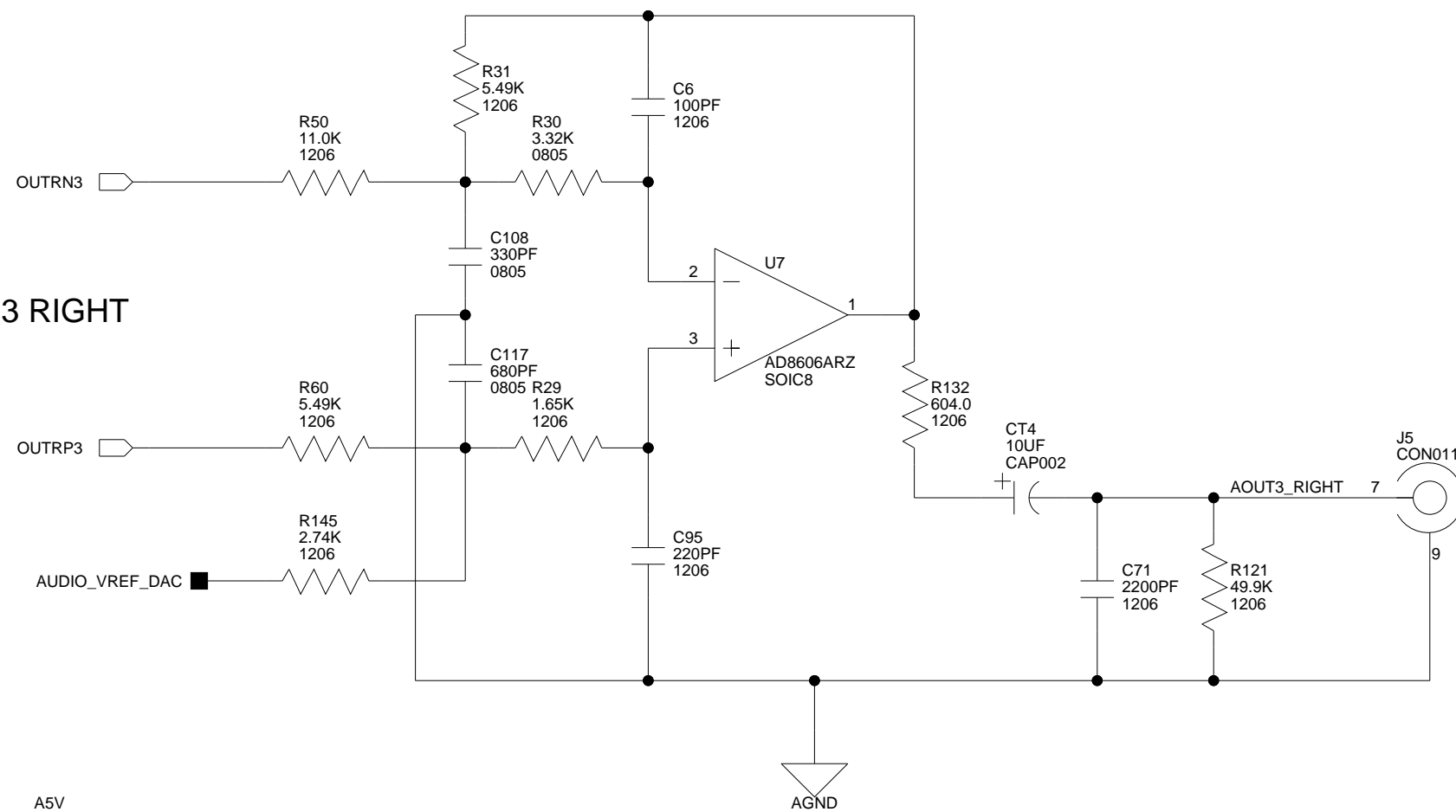
DAC3 LEFT



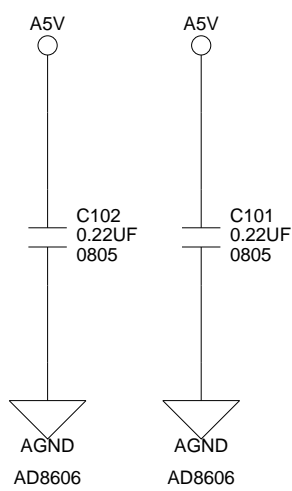
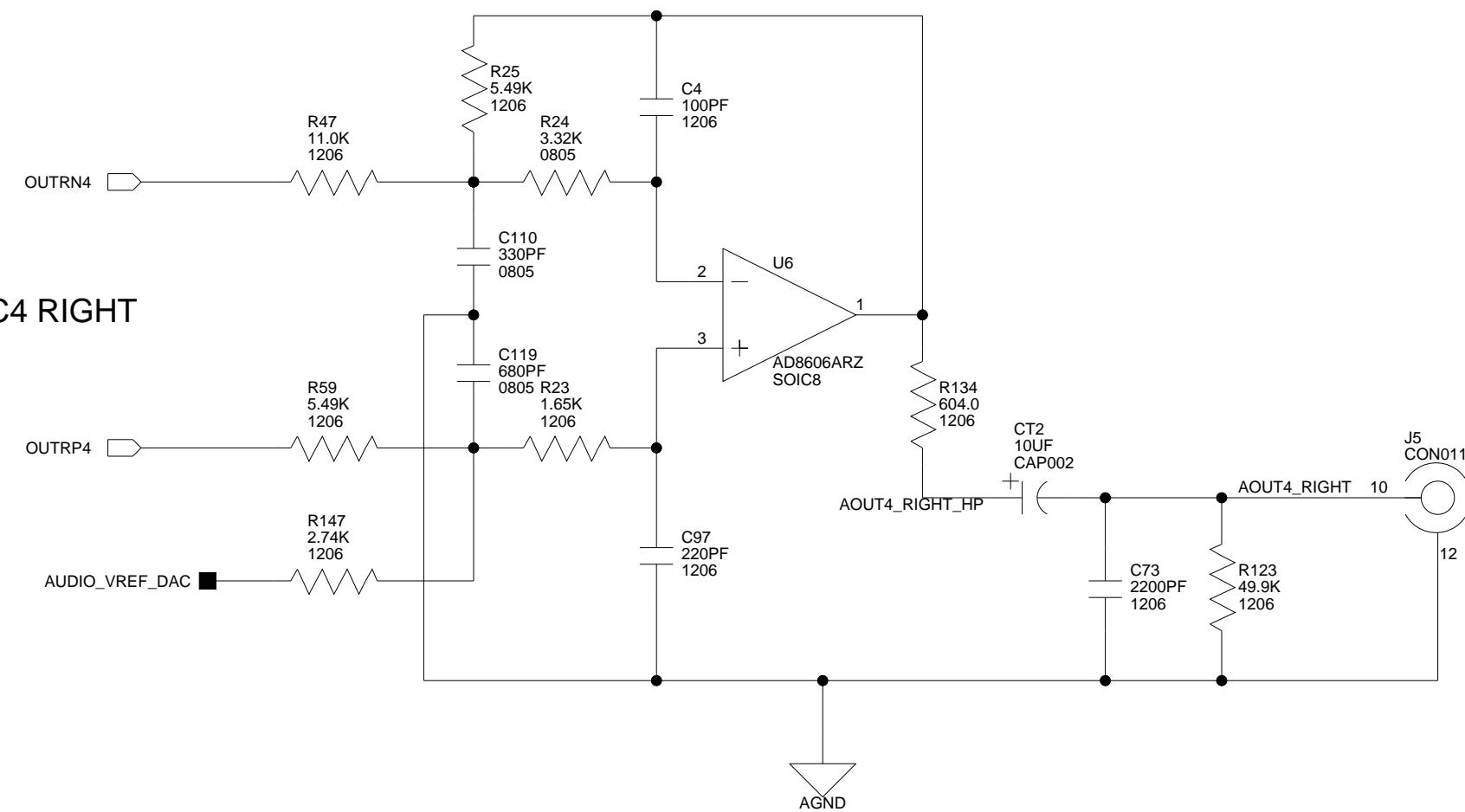
DAC4 LEFT

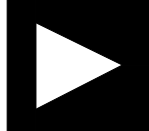


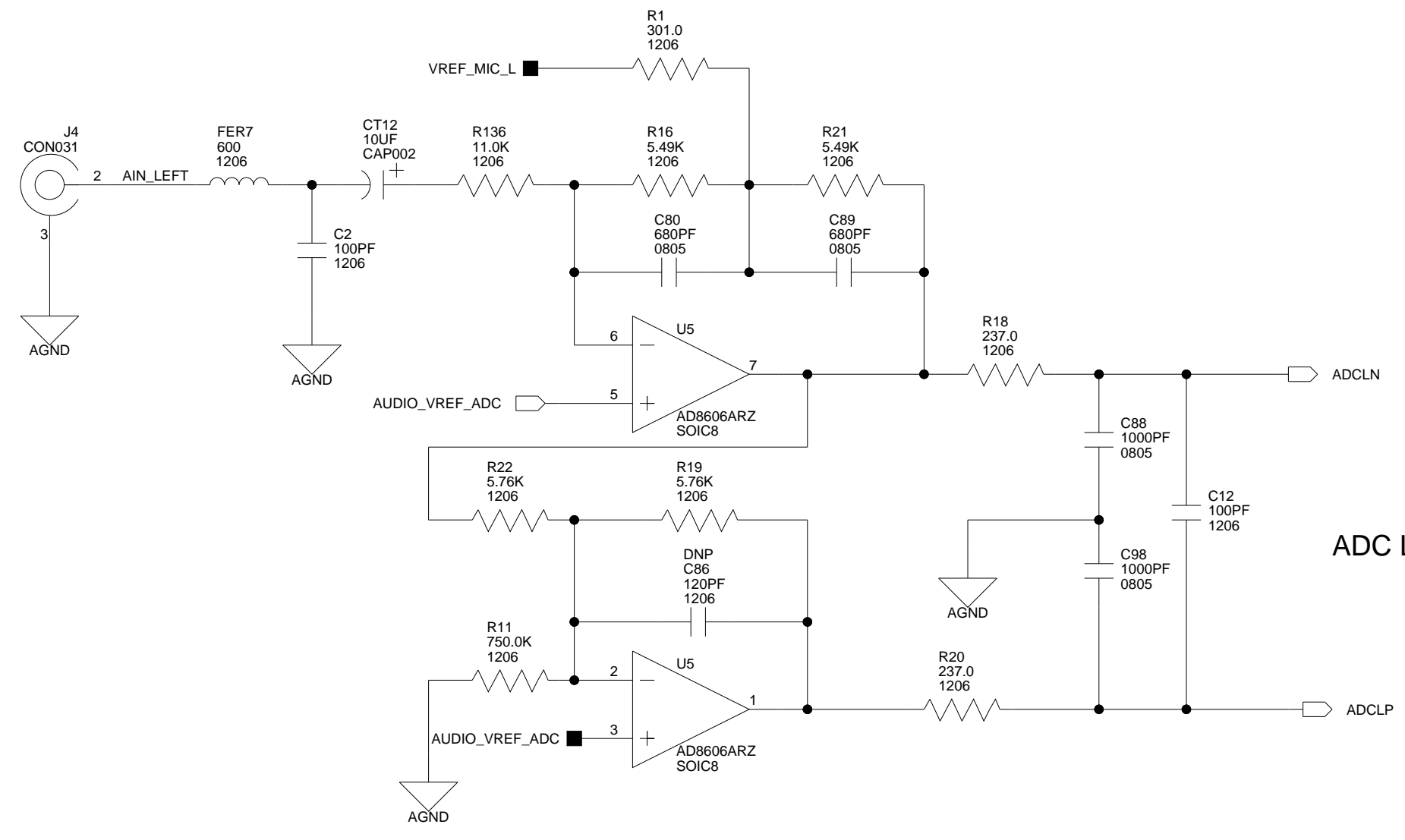
DAC3 RIGHT



DAC4 RIGHT

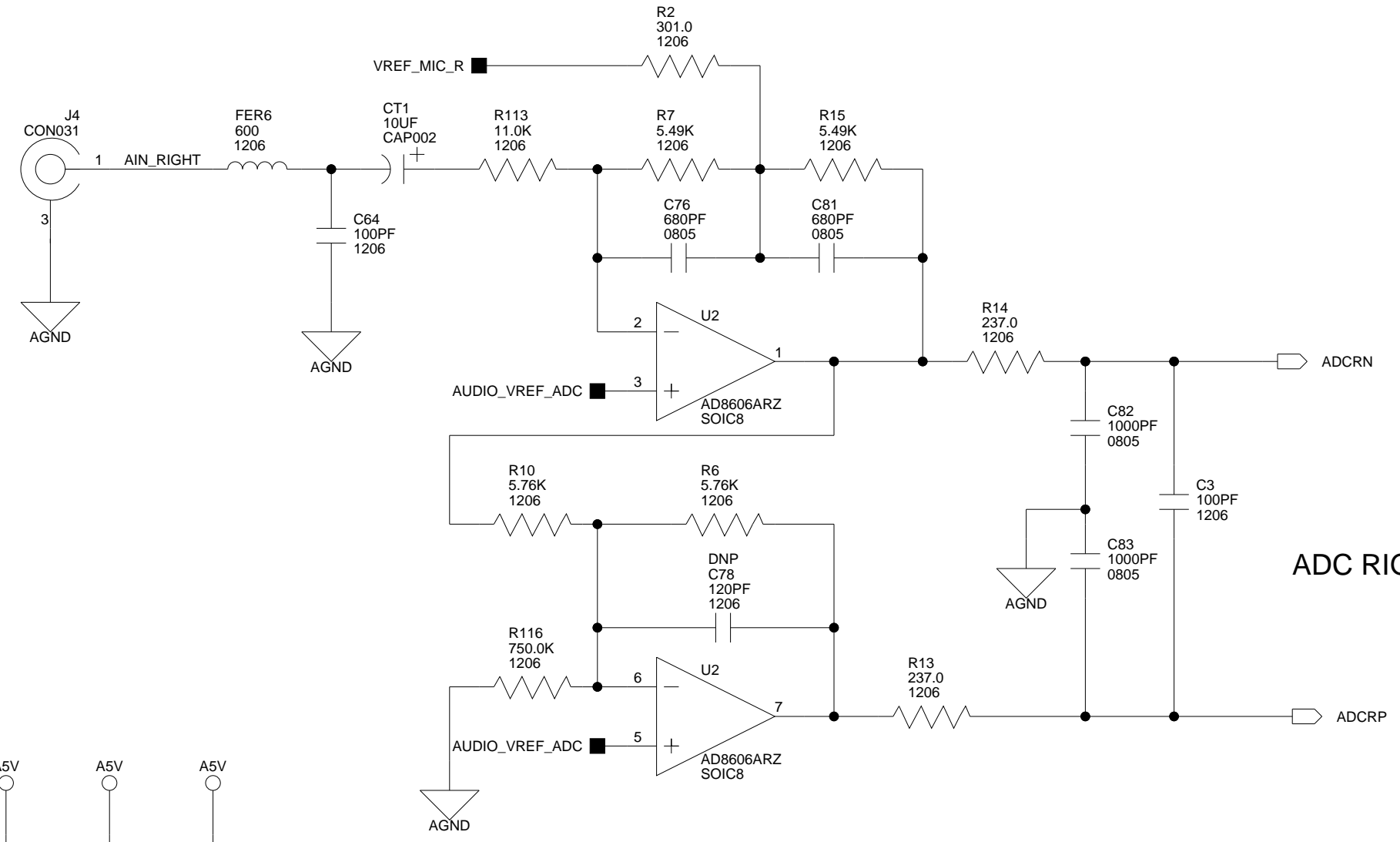
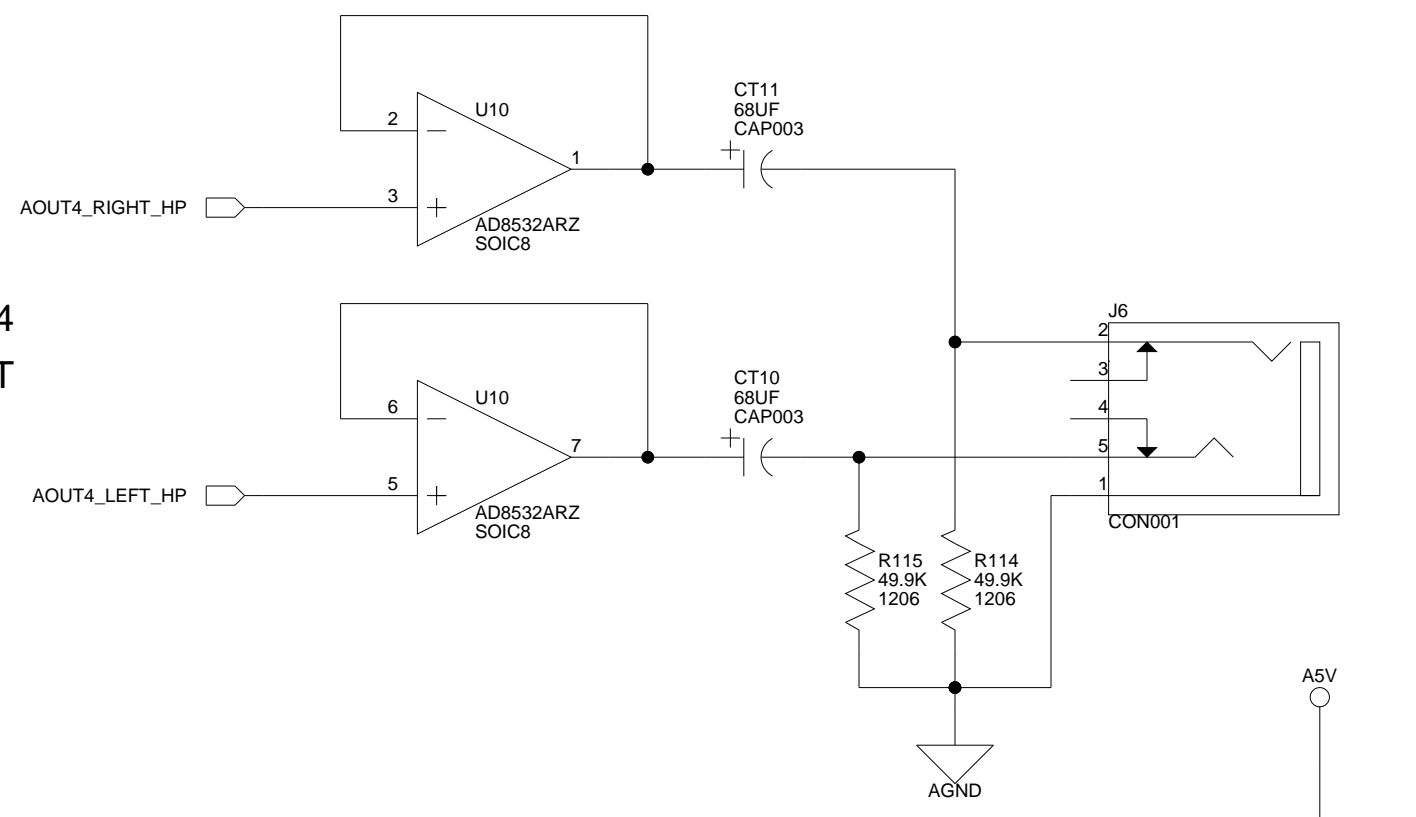


 <b>ANALOG DEVICES</b>		20 Cotton Road Nashua, NH 03063 PH: 1-800-ANALOGD	
		<b>Title</b> ADSP-21262 EZ-KIT Lite AUDIO OUT 2	
<b>Size</b> C	<b>Board No.</b> A0174-2002	<b>Rev</b> 2.0	
<b>Date</b> 6-2-2006_13:45	<b>Sheet</b> 6 of 11		

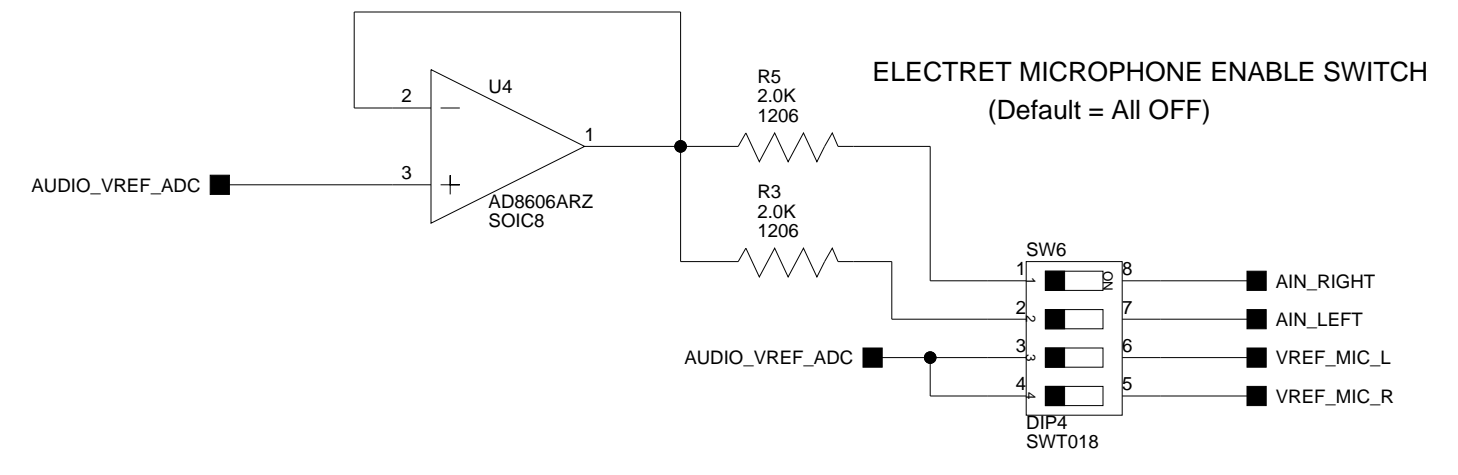


ADC LEFT

DAC4  
HEADPHONE OUT

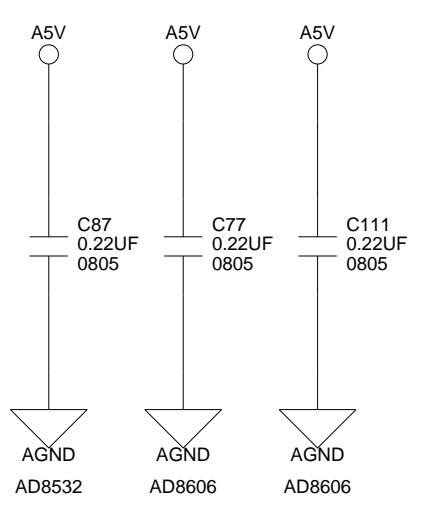


ADC RIGHT

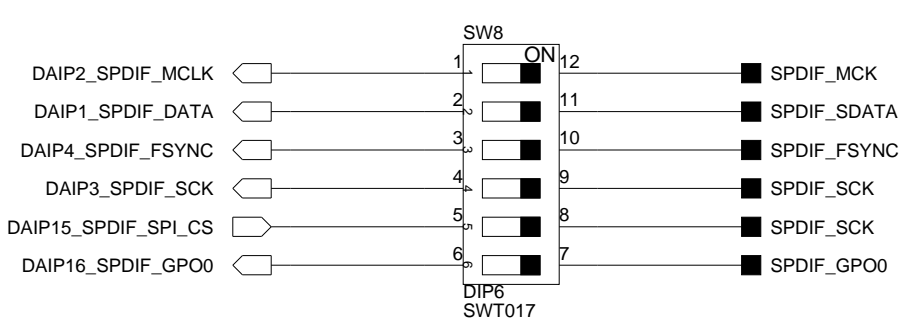
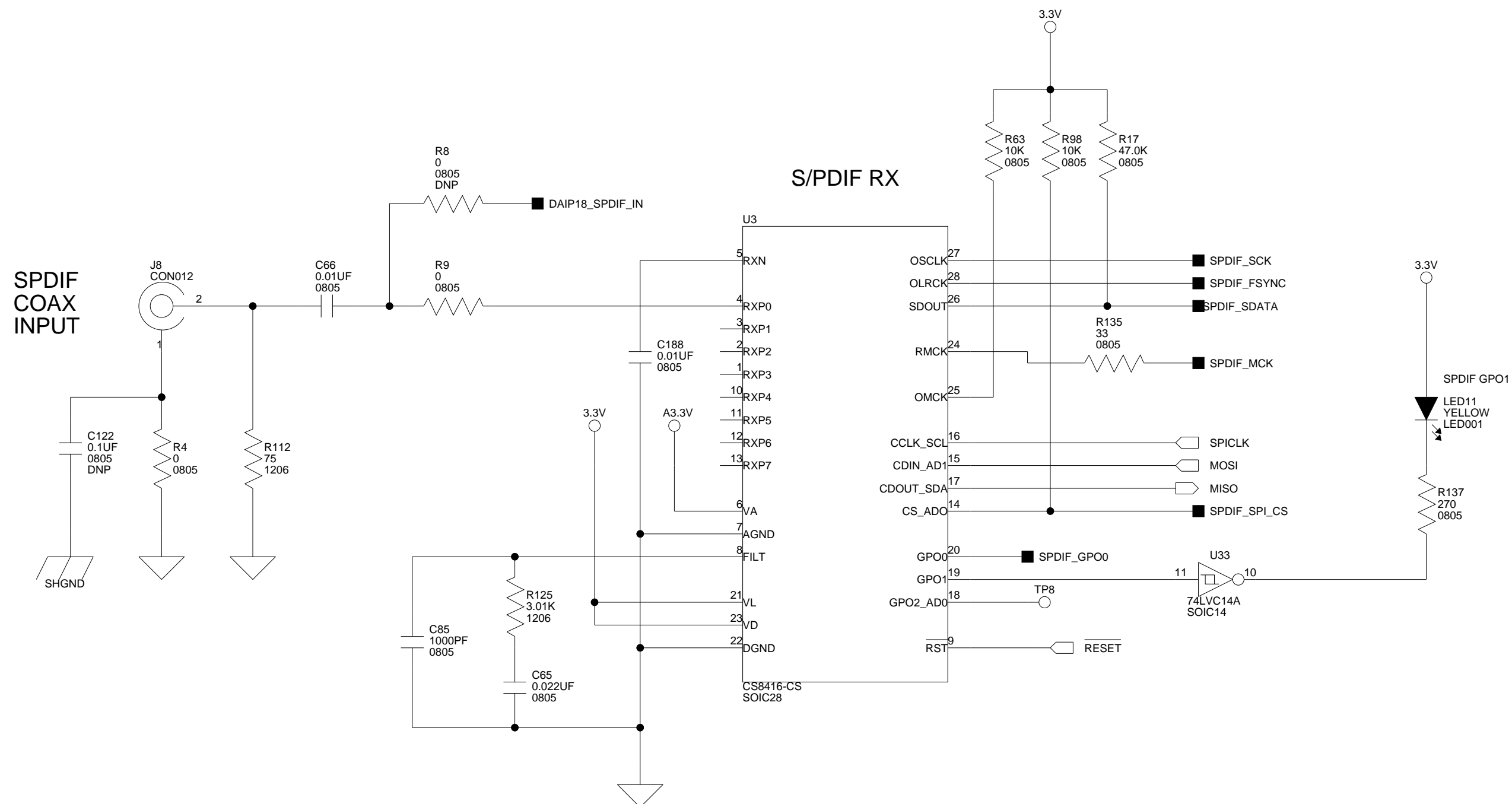


ELECTRET MICROPHONE ENABLE SWITCH  
(Default = All OFF)

WHEN USING AN ELECTRET MICROPHONE  
PLACE ALL SWITCHES IN ON POSITION

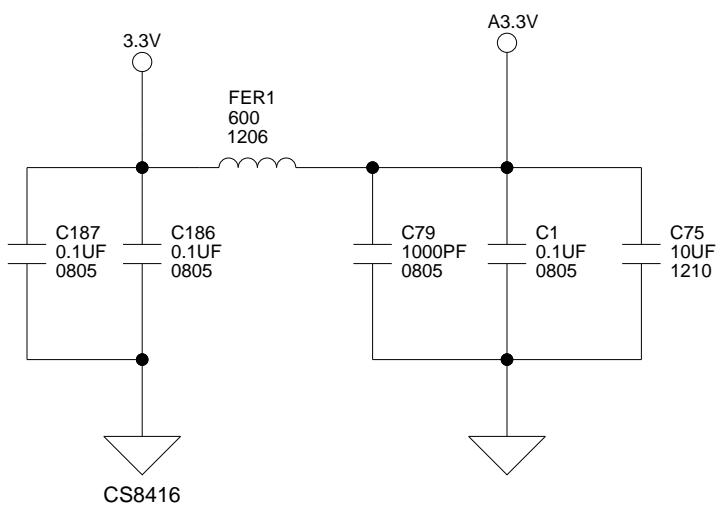



 <b>ANALOG DEVICES</b>		20 Cotton Road Nashua, NH 03063 PH: 1-800-ANALOGD	
		<b>Title</b> ADSP-21262 EZ-KIT Lite AUDIO IN/HEADPHONE OUT	
<b>Size C</b>	<b>Board No.</b>	A0174-2002	<b>Rev</b>
<b>Date</b>	6-2-2006_13:45	<b>Sheet</b>	7 of 11

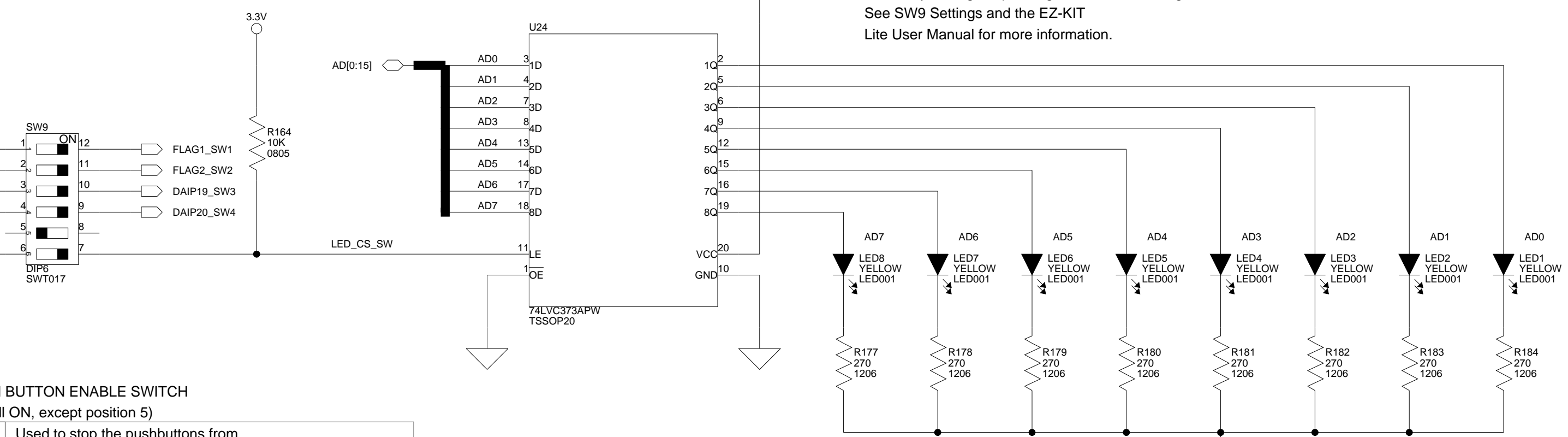
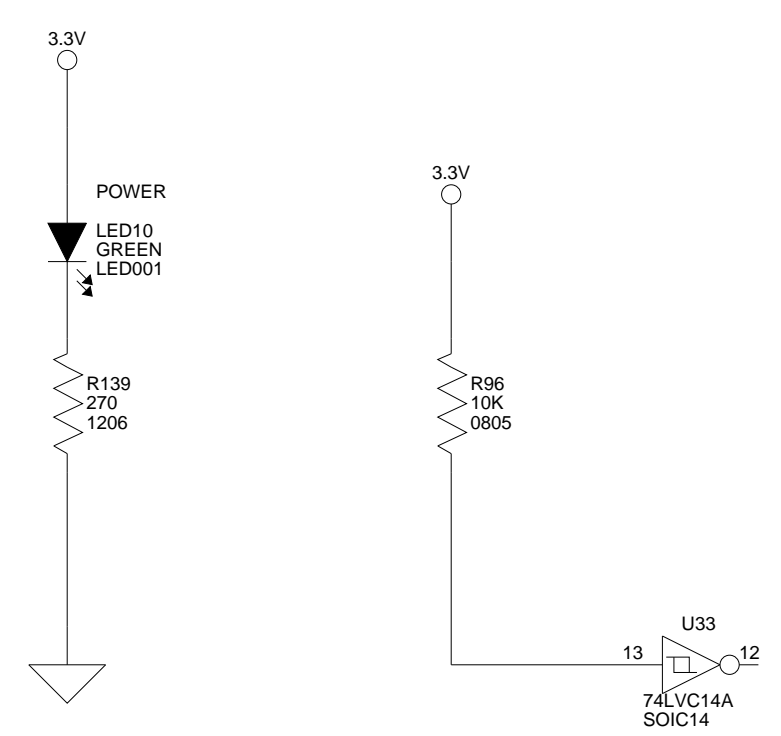
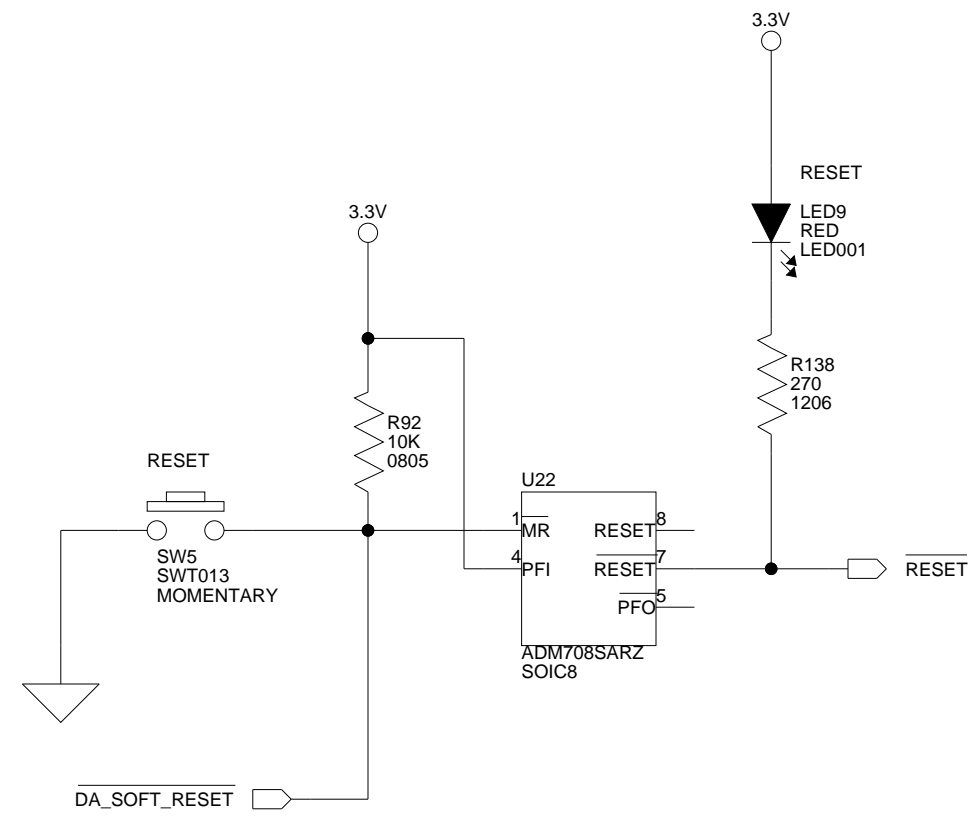
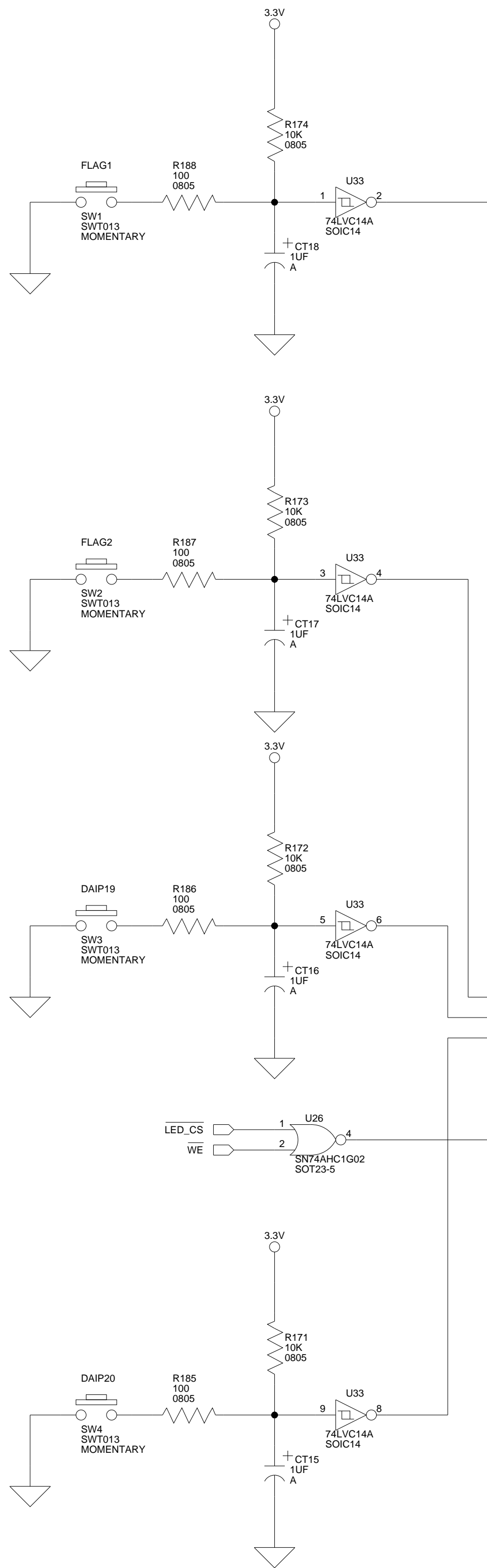


**SW8: SPDIF SIGNAL DISABLE**  
 (Default: ALL = ON)

1-6	Used to disconnect signals of the SPDIF interface from the corresponding DAI signals. Useful if using DAI signals for another purpose.
-----	--

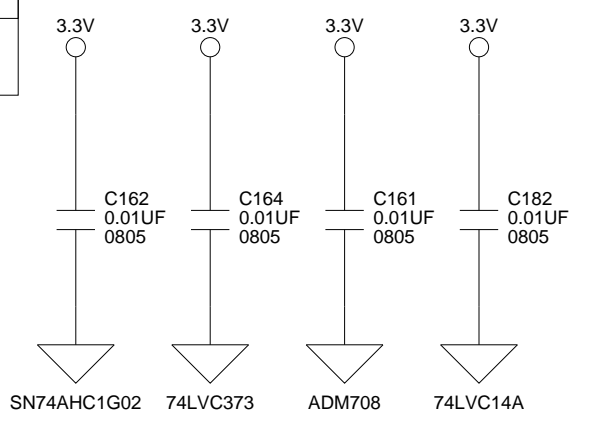


		20 Cotton Road Nashua, NH 03063 PH: 1-800-ANALOGD	
		<b>Title</b> ADSP-21262 EZ-KIT Lite S/PDIF RX	
<b>Size C</b>	<b>Board No.</b> A0174-2002	<b>Rev</b> 2.0	
<b>Date</b> 6-2-2006_13:45	<b>Sheet</b> 8 of		<b>11</b>



**SW9: PUSH BUTTON ENABLE SWITCH**  
(Default = All ON, except position 5)

1-4	Used to stop the pushbuttons from driving the corresponding DSP signal. Useful if using these DSP signals for another purpose.
5	Not Used
6	OFF = LEDs function as flags ON = LEDs are accessed at a memory address



**ANALOG DEVICES**

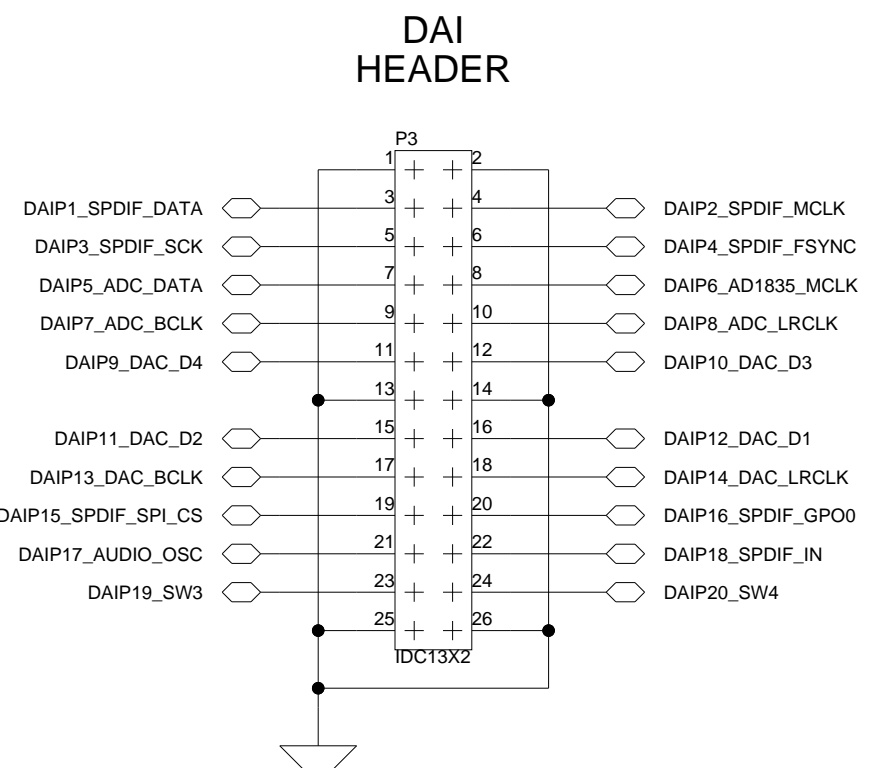
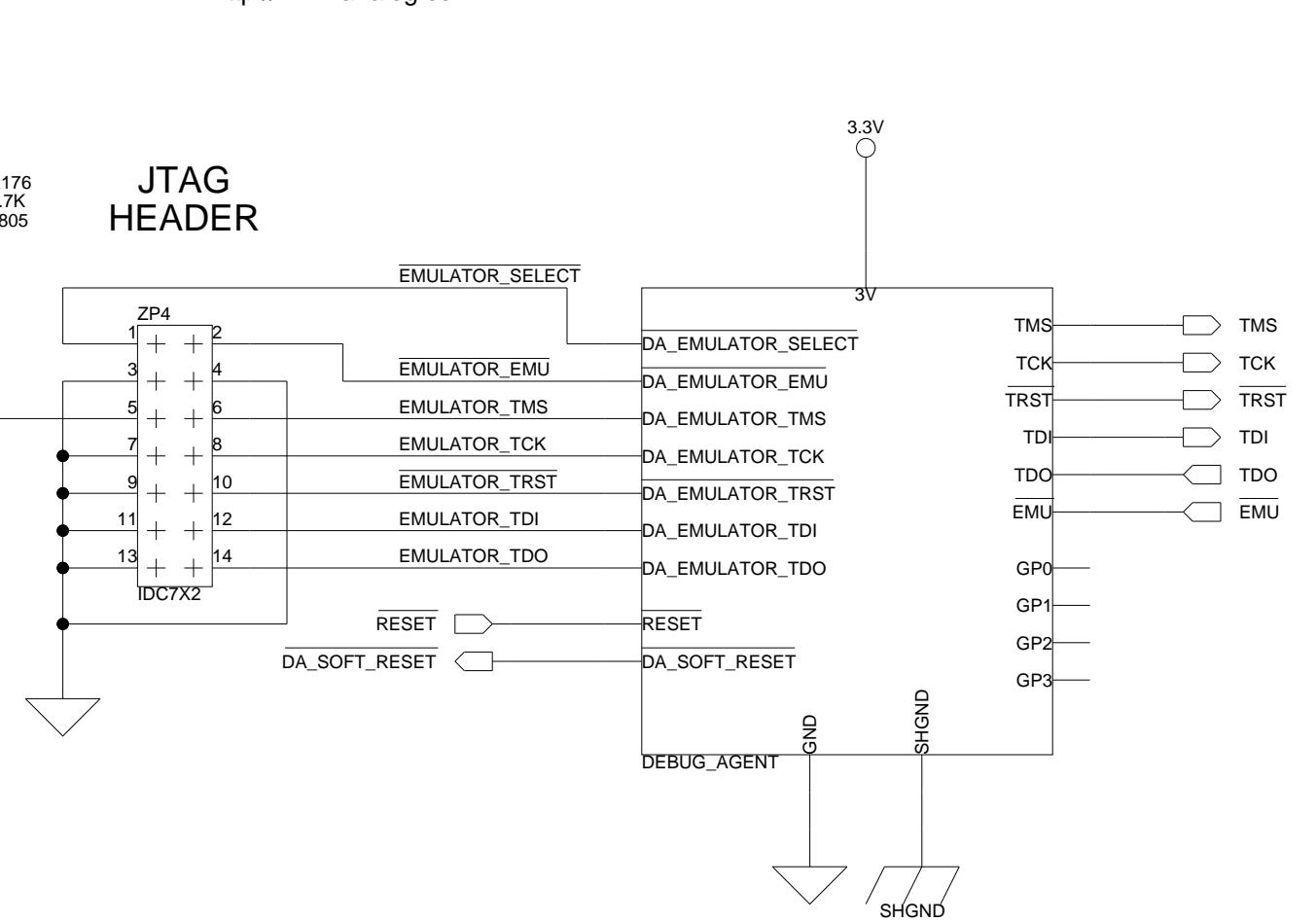
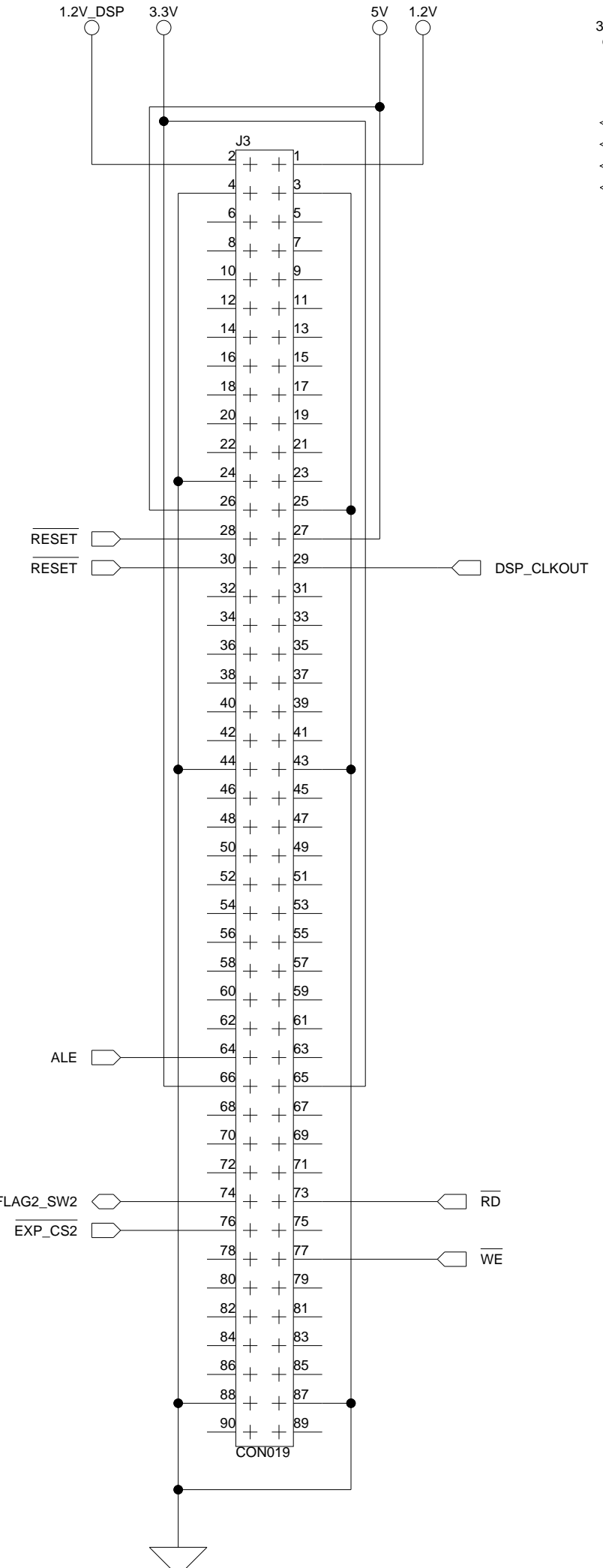
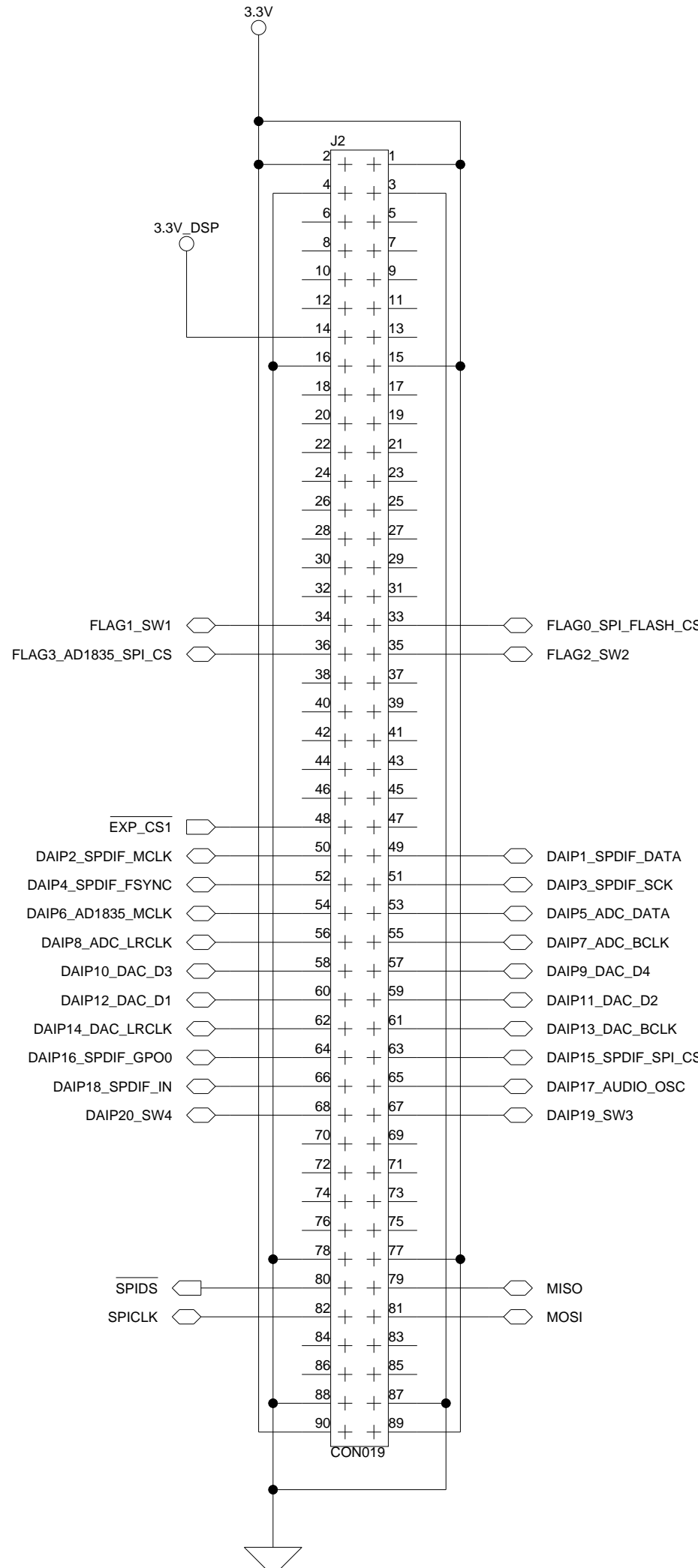
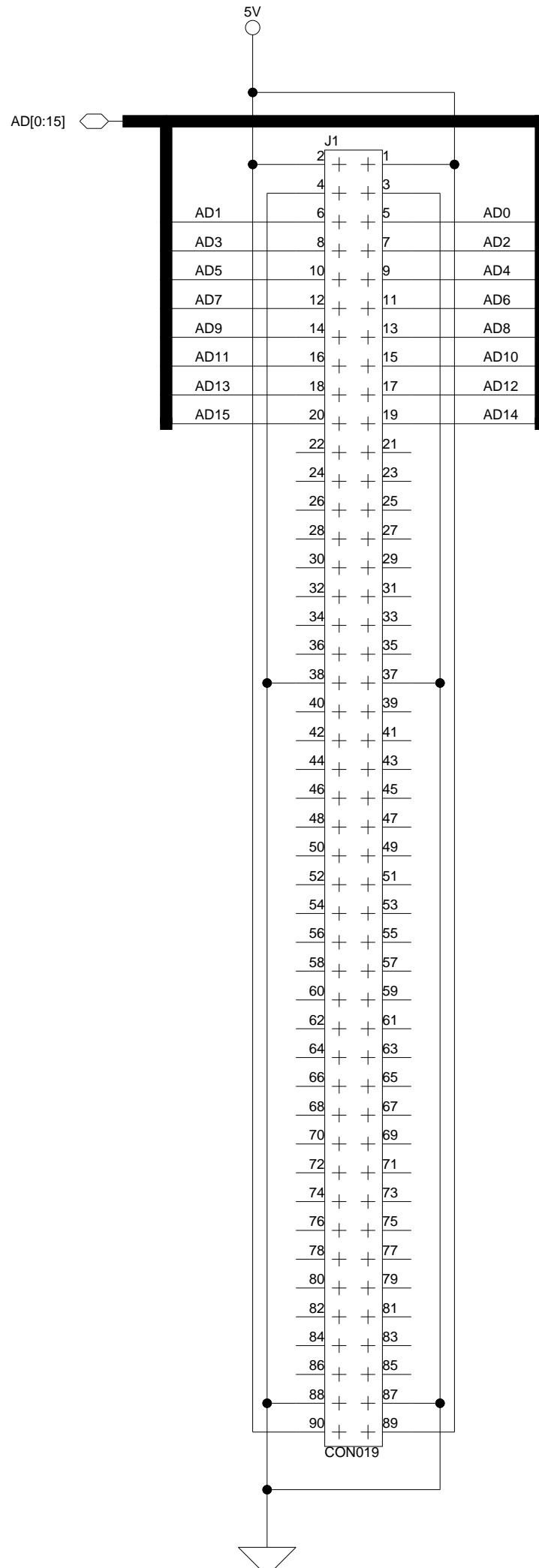
20 Cotton Road  
Nashua, NH 03063  
PH: 1-800-ANALOGD

<b>Title</b>		<b>ADSP-21262 EZ-KIT Lite RESET/PB/LED</b>	
<b>Size C</b>	<b>Board No.</b>	<b>A0174-2002</b>	
<b>Date</b>	6-2-2006_13:44	<b>Sheet</b>	<b>9 of 11</b>

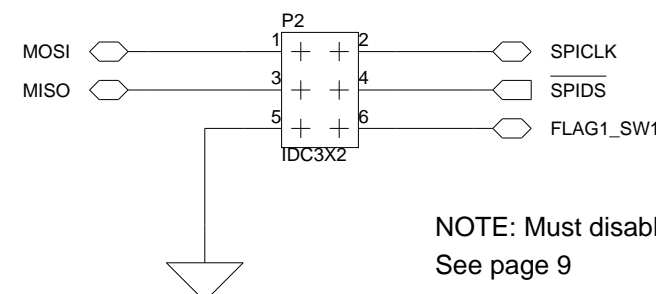
All USB interface circuitry is considered proprietary and has been omitted from this schematic.

When designing your JTAG interface please refer to the Engineer to Engineer Note EE-68 which can be found at <http://www.analog.com>

### EXPANSION INTERFACE (TYPE A)



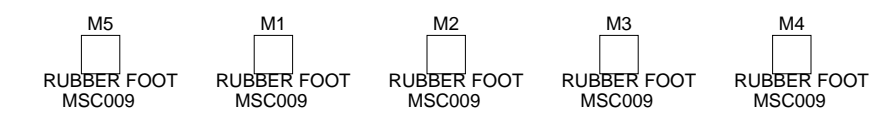
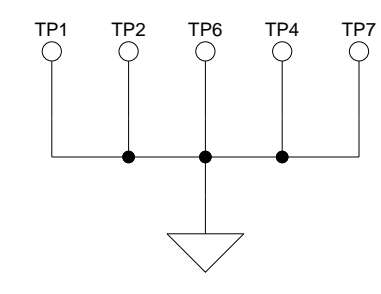
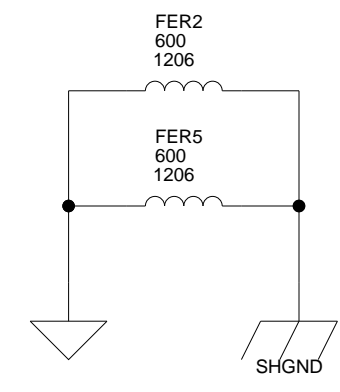
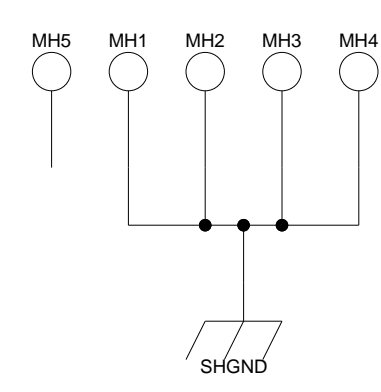
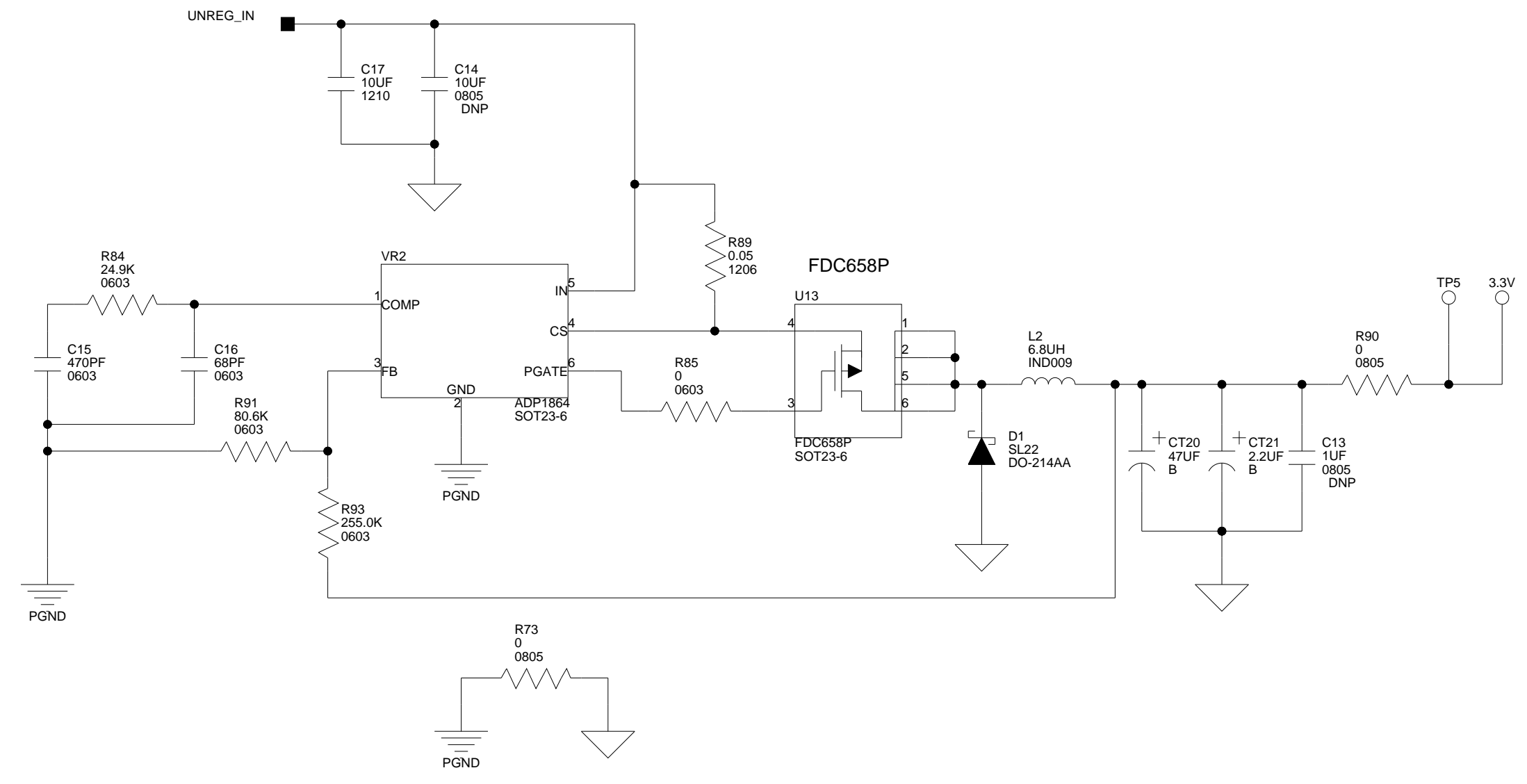
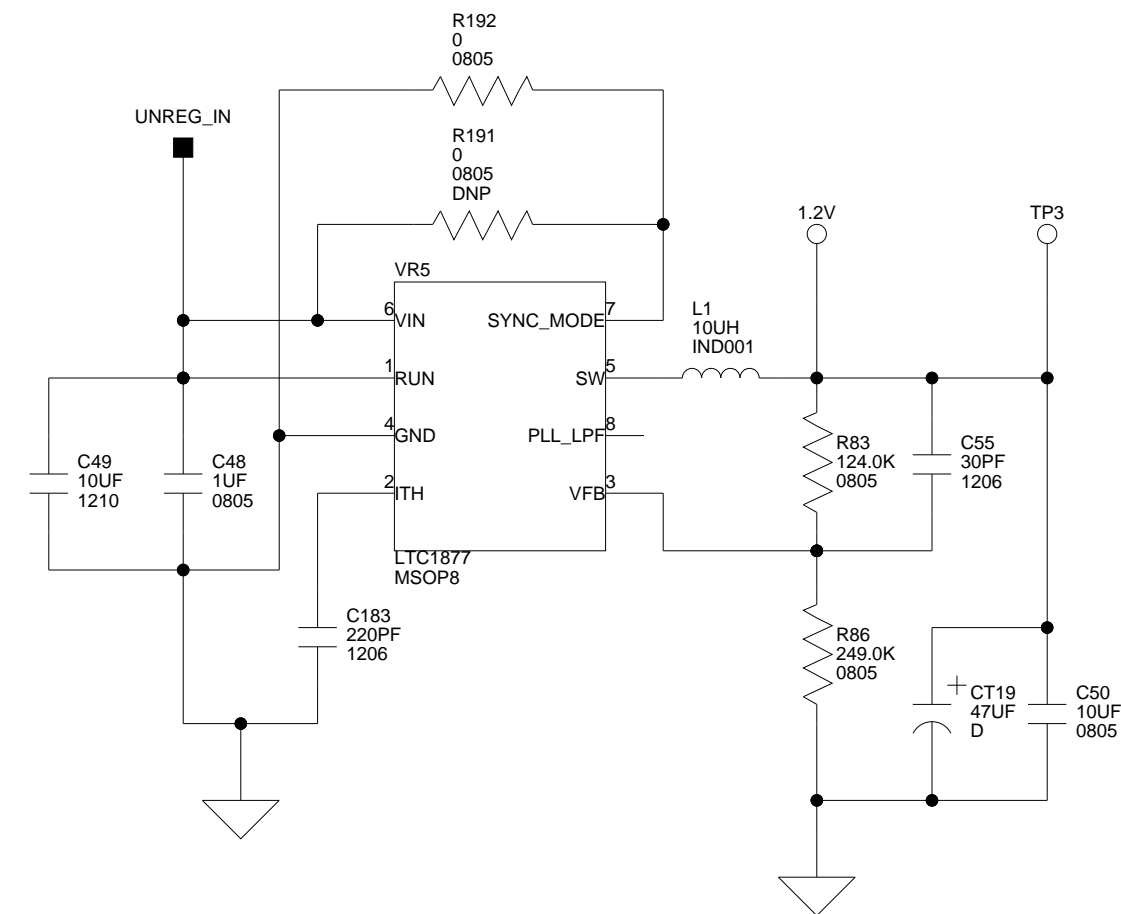
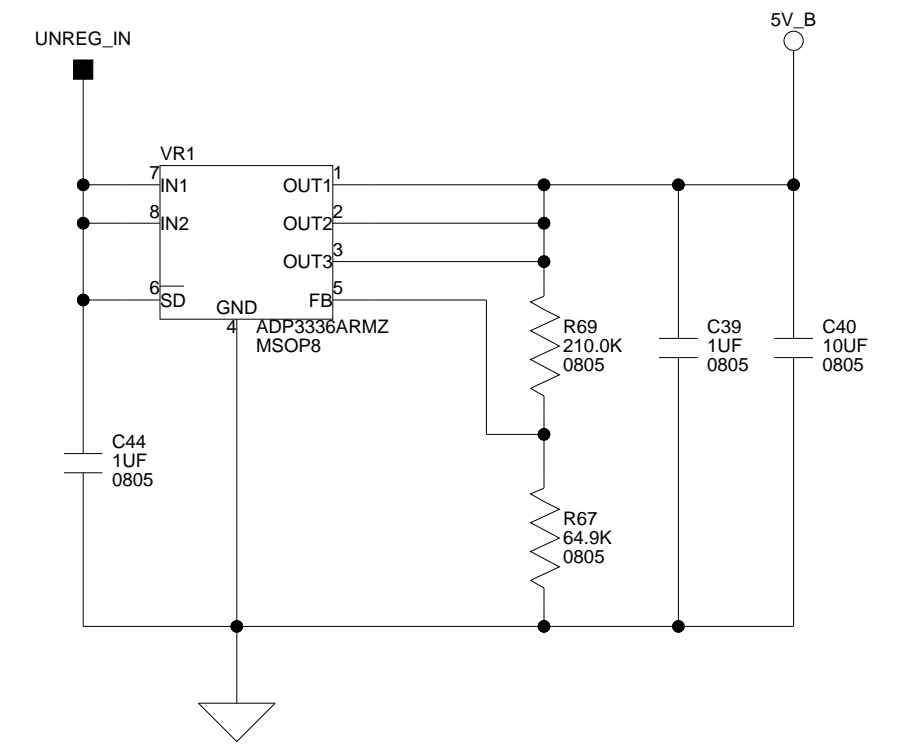
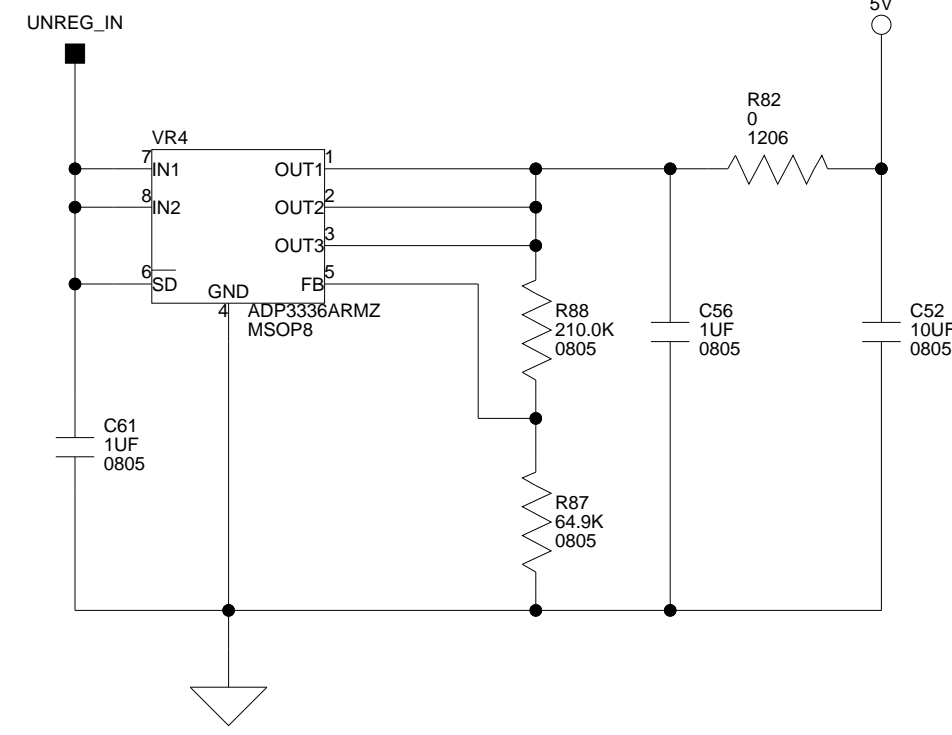
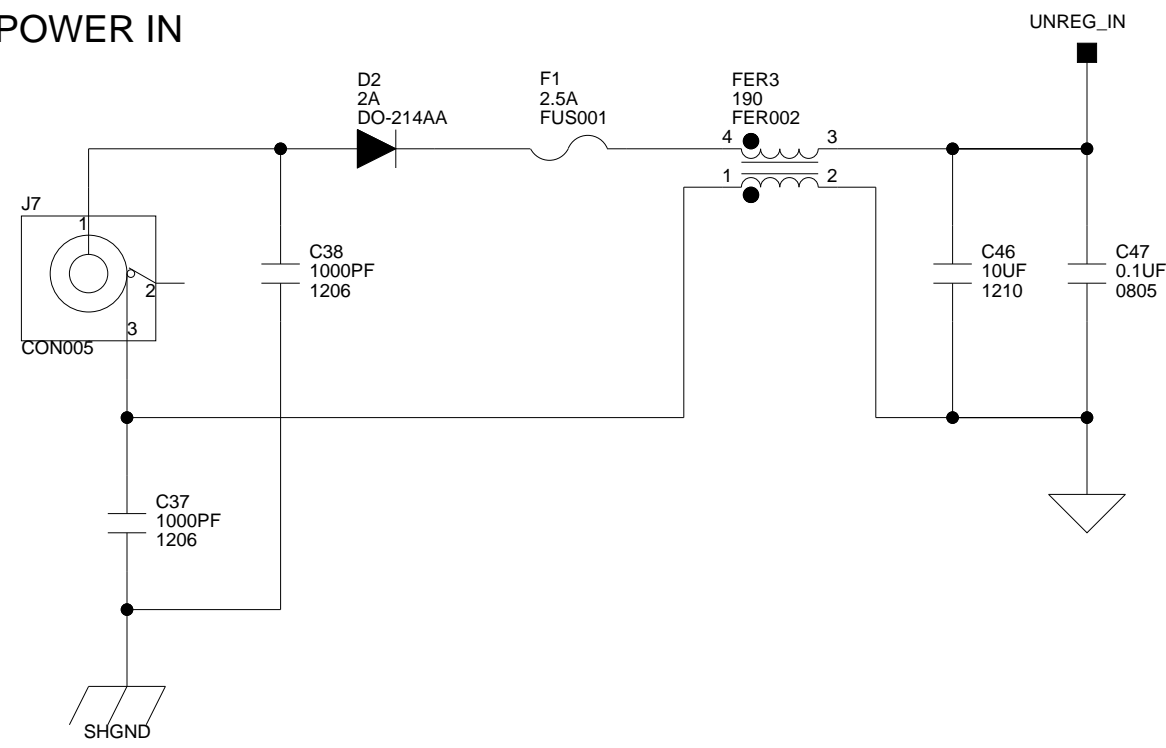
### SPI HEADER

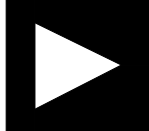


NOTE: Must disable SW1 when using this pin as SPI select. See page 9

		20 Cotton Road Nashua, NH 03063 PH: 1-800-ANALOGD	
		<b>Title</b> ADSP-21262 EZ-KIT Lite EXPANSION INTERFACE/JTAG/SPI/DAI	
<b>Size C</b>	<b>Board No.</b> A0174-2002	<b>Rev</b> 2.0	
<b>Date</b> 6-2-2006_13:44	<b>Sheet</b> 10 of		<b>11</b>

POWER IN



 <b>ANALOG DEVICES</b>		20 Cotton Road Nashua, NH 03063 PH: 1-800-ANALOGD	
		Title <b>ADSP-21262 EZ-KIT Lite POWER</b>	
Size C	Board No. <b>A0174-2002</b>	Rev <b>2.0</b>	
Date 6-2-2006_13:44	Sheet 11 of 11		

# I INDEX

## A

- AD15-0 pins, [2-3](#)
- AD1835A ADC and DAC
  - configuration registers, [1-9](#), [2-6](#)
  - CS8416 audio out, [1-10](#)
  - defined, [1-8](#)
  - master clock (MCLK), [2-6](#)
  - master mode, [1-9](#), [2-10](#)
  - setup switch (SW7), [2-10](#)
  - slave mode, [1-9](#), [1-10](#), [2-10](#)
  - SPI connection, [2-6](#)
- AD7-0 pins, [1-12](#), [2-12](#), [2-15](#)
- ADC\_DATA pin, [2-10](#)
- address bus (AD15-0 pins), [2-3](#)
- ALE (address-enable) pin, [1-12](#), [2-3](#), [2-12](#)
- analog audio interface, [-xi](#), [1-8](#)
- analog-to-digital converters (ADCs), *See* AD1835A
- architecture, of this EZ-KIT Lite, [2-2](#)
- audio
  - See also* analog audio interface, digital audio interface, [1-8](#)
  - in RCA connector (J4), [2-18](#)
  - out RCA connector (J5), [2-18](#)

## B

- background telemetry channel (BTC), [1-13](#)
- bill of materials, [A-1](#)
- board schematic, [B-1](#)

## boot

- modes, [2-3](#)
  - mode select switch (SW10), [2-12](#)
- BOOTCFG0-1 pins, [2-13](#)

## C

- CLKCFG0-1 pins, [2-3](#), [2-13](#)
- CLKIN pin, [2-3](#), [2-13](#)
- clock ratio select switch (SW10), [2-12](#)
- clock signals, [1-9](#), [1-10](#), [2-10](#)
- codecs, *See* AD1835A
- configuration, of this EZ-KIT Lite, [1-3](#)
- connectors
  - diagram of locations, [1-3](#), [2-17](#)
  - J1-3 (expansion), [2-4](#), [2-6](#), [2-7](#), [2-17](#)
  - J4 (audio in RCA), [1-9](#), [2-18](#)
  - J5 (audio out RCA), [1-10](#), [2-18](#)
  - J6 (headphone out), [1-10](#), [2-18](#)
  - J7 (power), [2-19](#)
  - J8 (S/PDIF in coax), [1-10](#), [2-19](#)
  - P2 (SPI), [2-6](#), [2-19](#)
  - P3 (DAI), [2-20](#)
  - ZJ1 (USB), [2-20](#)
  - ZP4 (JTAG header), [2-8](#), [2-21](#)
- contents, of this EZ-KIT Lite, [1-2](#)
- core
  - frequency, [2-3](#)
  - to CLKIN ratios, [2-13](#)
  - voltage, [2-2](#)



# INDEX

CS8416 S/PDIF receiver

GPO1 LED (LED11), [2-15](#)

loop-back test switch (SW11), [2-13](#)

signal enable switch (SW8), [2-11](#)

SPI connection, [2-6](#)

customer support, [-xiv](#)

## D

DAI\_P15 pin, [2-11](#)

DAI\_P16 pin, [2-11](#)

DAI\_P17 pin, [2-10](#)

DAI\_P19 (SW3) pin, [2-12](#), [2-16](#)

DAI\_P1 pin, [2-11](#)

DAI\_P20 (SW4) pin, [2-12](#), [2-16](#)

DAI\_P2 pin, [2-11](#)

DAI\_P3 pin, [2-11](#)

DAI\_P4 pin, [2-11](#)

DAI\_P6 pin, [2-10](#)

data

input/output rates, [1-8](#)

pins, *See* DAI pins by name (DAI\_Px)

default configuration, of this EZ-KIT Lite, [1-3](#)

digital audio interface (DAI)

block diagram, [2-5](#)

disconnecting, [2-10](#)

header (P3), [2-20](#)

pins, *See* DAI pins by name (DAI\_Px)

port, [1-9](#), [1-10](#)

digital-to-analog converters (DACs), *See*

AD1835A

## E

electret microphone, *See* microphone

example programs, [1-13](#)

expansion interface, [-xi](#), [2-4](#), [2-6](#), [2-7](#), [2-17](#)

external memory, [1-7](#), [2-8](#)

*See also* flash memory

external voltage, [2-2](#)

## F

features, of this EZ-KIT Lite, [-x](#)

FLAG0 (SPI flash select) pin, [1-8](#), [2-6](#), [2-7](#), [2-19](#)

FLAG1 (SW1) pin, [2-7](#), [2-12](#), [2-16](#)

FLAG2 (SW2) pin, [2-7](#), [2-12](#), [2-16](#)

FLAG3 (AD1835 SPI select) pin, [1-9](#), [2-6](#), [2-7](#)

FLAG8-15 pins, [1-12](#)

FLAG registers, [1-11](#), [2-15](#)

flash memory

memory map, [1-7](#)

boot mode, [2-12](#), [2-13](#)

connecting to parallel port (PP), [2-3](#)

connecting to SPI port, [1-8](#), [2-6](#)

frequency, [2-3](#)

FSYNC (frame sync) pins, [1-9](#), [1-10](#), [2-10](#), [2-11](#)

## G

general-purpose IO, [1-11](#), [2-3](#), [2-6](#), [2-15](#), [2-16](#)

GPO0 pin, [2-11](#)

GPO1 pin, [1-10](#), [2-13](#), [2-15](#)

## H

headphone out jack (J6), [2-18](#)

Help, online, [-xix](#)

## I

installation, of this EZ-KIT Lite, [1-5](#)

internal memory, [2-8](#)

interrupts, [1-11](#)

## J

JTAG

connector (ZP4), [2-21](#)

emulation port, [2-8](#)

## L

latch-enable pin (ALE), [1-12](#), [2-3](#), [2-12](#)

- LED\_CS signal, 2-12
- LEDs
  - diagram of locations, 1-3, 2-14
  - LED10 (power), 2-15
  - LED11 (S/PDIF), 1-10, 2-15
  - LED1-8 (AD0-7/FLAG8-15), 1-12, 2-15
  - LED9 (processor reset), 2-15
  - ZLED3 (USB monitor), 1-5, 2-15
- license restrictions, 1-7
- loop-back test switch (SW11), 2-13
  
- M**
- master clock (MCLK), 1-9, 1-10, 2-6, 2-11
- memory bus (AD15-0), 2-3
- microphone
  - on RCA connector (J4), 1-9
  - select switch (SW6), 2-9
  
- N**
- notation conventions, -xxi
  
- O**
- oscillators, 1-9, 1-10, 2-3, 2-6, 2-10
  
- P**
- package contents, 1-2
- parallel port
  - block diagram, 2-3
  - boot mode, 2-3, 2-12
  - connecting to flash memory, 1-8
  - pins (AD7-0), 1-12, 2-12, 2-15
- power
  - connector (J7), 2-19
  - LED (LED10), 2-15
  - planes, 2-2
  - specifications, 2-19
  - supply, 2-19
- PPFLG bit, 1-8, 1-12
  
- push buttons
  - See also* switches by name (SWx)
  - diagram of locations, 2-14
  
- R**
- R79-80 resistors, 2-3
- RCA connectors, 2-18
- registration, of this EZ-KIT Lite, 1-3
- reset
  - LED (LED9), 2-15
  - pin, 2-7
  - push button (SW5), 2-16
- restrictions, of the license, 1-7
  
- S**
- schematic, of this EZ-KIT Lite, B-1
- SCK pin, 2-11
- SDATA pin, 2-11
- serial peripheral interconnect (SPI)
  - connections, 2-6
  - disable switch (SW12), 2-13
  - flash memory, 1-7
  - header (P2), 2-19
  - master boot mode, 2-3, 2-12
  - setting up AD1835A, 1-9
- signal routing unit (SRU), 2-5
- S/PDIF
  - coax connector (J8), 2-19
  - GPO1 LED (LED11), 2-15
  - receiver, 1-9
  - signal enable switch (SW8), 2-11
- SPI\_CS pin, 2-11
- startup, of this EZ-KIT Lite, 1-5
- stereo jacks, 2-18
- SW10 (boot mode/clock ratio) switch, 2-3, 2-12
- SW11 (test) switch, 2-13
- SW12 (SPI disable) switch, 2-6, 2-13
- SW1 (FLAG1) push button, 2-16
- SW2 (FLAG3) push button, 2-16

# INDEX

SW3 (DAI\_P19) push button, [2-16](#)  
SW4 (DAI\_P20) push button, [2-16](#)  
SW5 (reset) push button, [2-16](#)  
SW6 (microphone select) switch, [1-9](#), [2-9](#)  
SW7 (AD1835A setup) switch, [1-9](#), [2-10](#)  
SW8 (S/PDIF enable) switch, [2-11](#)  
SW9 (push button enable) switch, [2-12](#), [2-16](#)  
switches  
    *See also* switches by name (SW<sub>x</sub>)  
    diagram of locations, [2-9](#)  
synchronous random access memory (SRAM),  
    [-xii](#), [1-7](#), [1-8](#), [2-3](#)  
SYSCTL register, [1-8](#)  
system architecture, of this EZ-KIT Lite, [2-2](#)

## T

time-division multiplexed mode (TDM), [1-9](#)  
two-wire interface (TWI) mode, [1-9](#)

## U

U24, LED latch, [2-12](#)

## USB

cable, [1-3](#), [2-15](#)  
connector (ZJ1), [2-20](#)  
interface, [2-8](#), [2-21](#)  
monitor LED (ZLED3), [2-15](#)

## V

VisualDSP++  
    documentation, [-xix](#)  
    environment, [1-5](#)  
    online Help, [-xix](#)

## W

WE signal, [2-12](#)