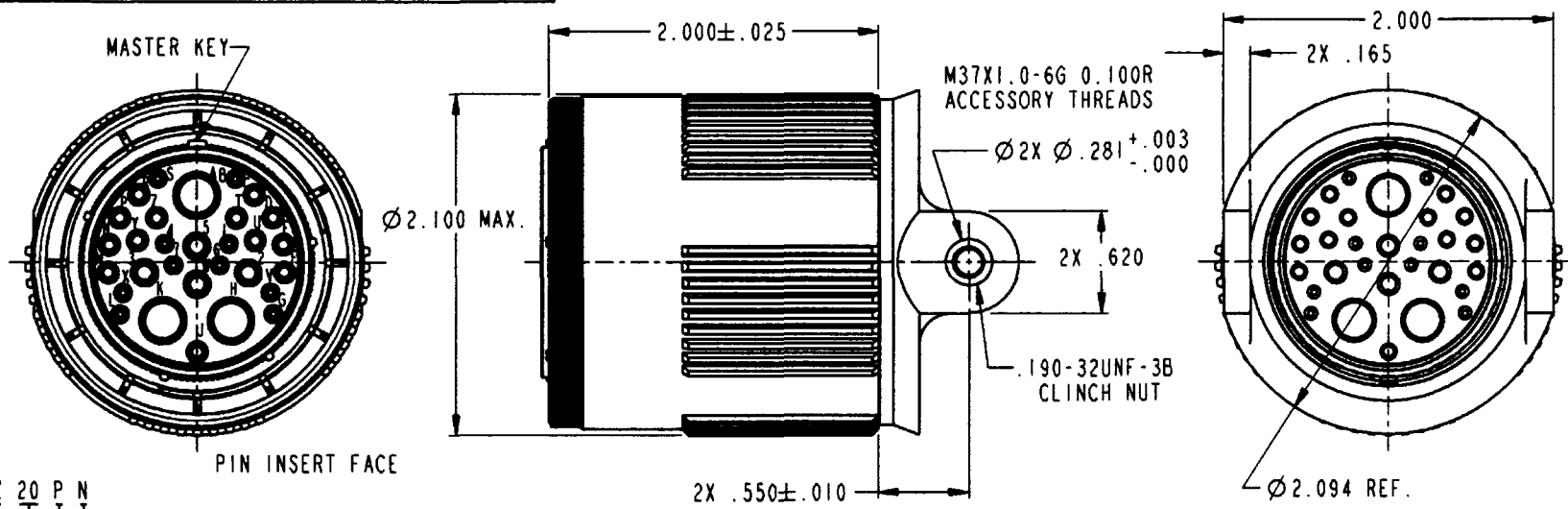


PROPERTY OF DEUTSCH E.C.D.

This drawing contains proprietary information that shall not be disclosed, duplicated, or used in whole or in part for any purpose other than to evaluate this drawing.

N/C 59119WZ20PN

REVISIONS			
REV	DESCRIPTION	DATE	APPROVED
N/C	NEW RELEASE PER E.O. C5714	04SE103	A.R.



59119 W Z 20 P N

- KEYING POSITIONS N1  
(POSITION N = NORMAL)
- CONTACT P = PIN, S = SOCKET
- ARRANGEMENT 20 = 1760 TYPE
- YOKE WITH PRESSED IN NUTS
- FINISH W = OLIVE DRAB CADMIUM
- IDENTIFIER - CONNECTOR PLUG LANYARD RELEASE WITH SPECIAL LANYARD RING

4. CONNECTOR SIMILAR TO D38999/31 TYPE 5.

3. FOR APPLICABLE KEYING DIAGRAM SEE MIL-DTL-38999.  
FOR INSERT ARRANGEMENT SEE MIL-STD-1560 (SHELL SIZE 25 ONLY).  
FOR AVAILABILITY CONSULT FACTORY.

2. MATERIAL / FINISH: SHELL - COMPOSITE, PLATED.  
COUPLING RING - COMPOSITE, UNPLATED (BLACK).  
LANYARD RING - ALUMINUM ALLOY, BLACK ANODIZED.  
LANYARD COVER - TEFLON, NATURAL.  
LANYARD - KEVLAR, NATURAL.  
SNAP RINGS - STAINLESS STEEL, PASSIVATED.  
WAFER SPRING - STAINLESS STEEL, PASSIVATED.  
R.F.I. STRIP - COPPER ALLOY, PLATED.  
CONTACTS - COPPER ALLOY, GOLD PLATED.  
RESILIENT INSERTS - SILICONE, ELASTOMER.  
PLASTIC INSERTS - THERMOPLASTIC.

1. ALL DIMENSIONS ARE IN INCHES UNLESS OTHERWISE SPECIFIED,  
THREAD CALLOUT IS METRIC.

SIGNATURE & DATE	
DR	D. WHITACRE 10/24/2002
CN	<i>[Signature]</i> 04SE103
PE	D. WHITACRE 10/24/2002
APPD	
SCALE	NONE

PLUG, CONNECTOR  
THREADED COUPLING  
ANTI-ROTATION LANYARD RELEASE  
DEEP BARRELED THICK NOSE  
ACT SERIES SIZE 25  
ENVELOPE

MATERIAL CODE	
CP	DEUTSCH
ENGINEERED CONNECTING DEVICES	
5733 W. Whittier Ave. Hemet, California	
A	59119WZ20PN
CODE	1213
SHEET	1 OF 1