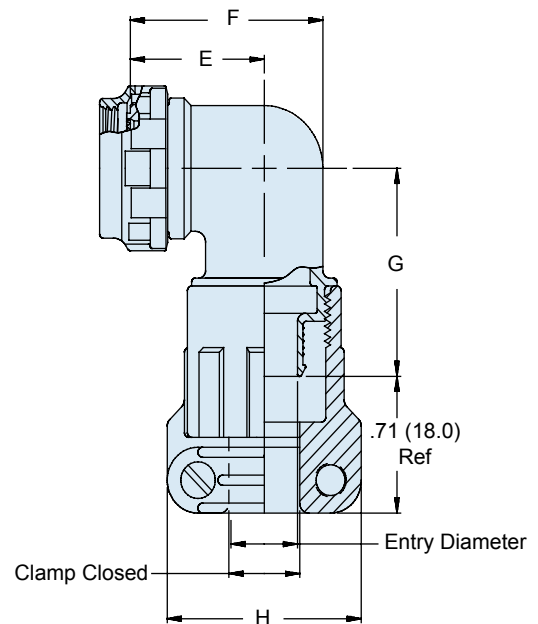
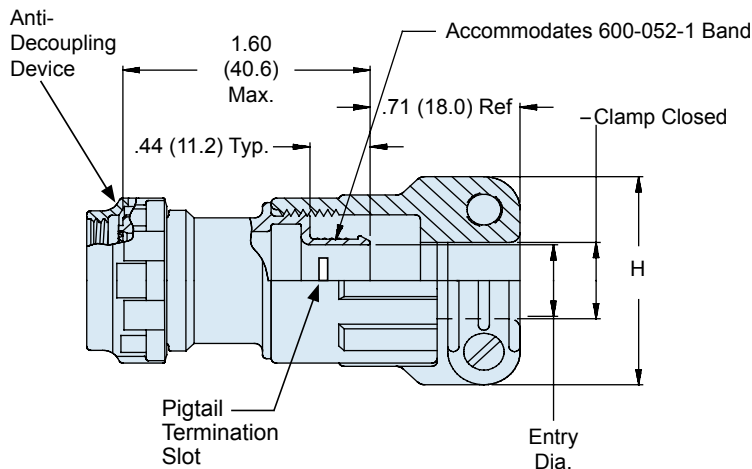
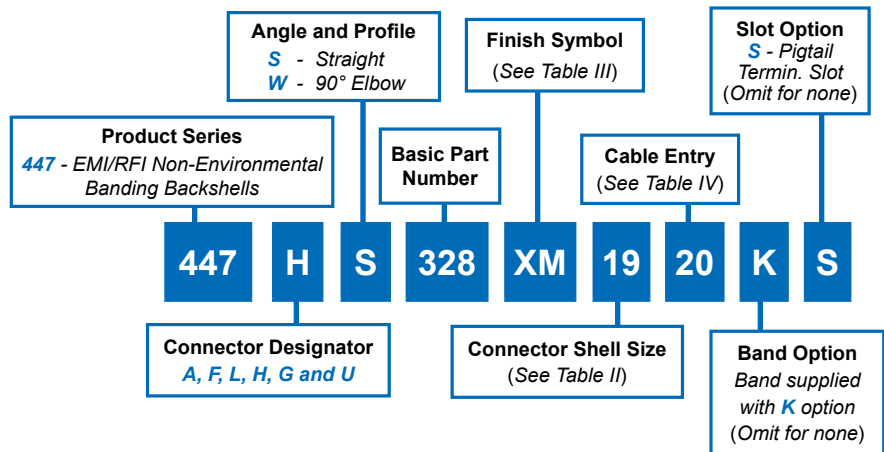




# 447-328 Composite Standard Profile EMI/RFI Band-in-a-Can Backshell with Strain-Relief Clamp and Self-Locking Rotatable Coupling

A

CONNECTOR DESIGNATOR:	
<b>A</b>	MIL-DTL-5015, -26482 Series II, and -83723 Series I and III
<b>F</b>	MIL-DTL-38999 Series I, II
<b>L</b>	MIL-DTL-38999 Series 1.5 (JN1003)
<b>H</b>	MIL-DTL-38999 Series III and IV
<b>G</b>	MIL-DTL-28840
<b>U</b>	DG123 and DG123A
<b>SELF-LOCKING</b>	
<b>ROTATABLE COUPLING</b>	
<b>STANDARD PROFILE</b>	



### NOTES

1. Metric dimensions (mm) are in parenthesis and are for reference only.
2. Coupling nut supplied unplated.
3. See Table I in Intro for front-end dimensional details.

**447-328**  
**Composite Standard Profile EMI/RFI**  
**Band-in-a-Can Backshell with Strain-Relief Clamp**  
**and Self-Locking Rotatable Coupling**



Composite Backshells

**A**

**TABLE II: CONNECTOR SHELL SIZE**

Shell Size For Connector Designator*					E	F	G	Max Entry
A	F/L	H	G	U	± .06 (1.5)	± .09 (2.3)	± .09 (2.3)	Dash No.**
08	08	09	-	-	.69 (17.5)	.88 (22.4)	1.19 (30.2)	10
10	10	11	-	08	.75 (19.1)	1.00 (25.4)	1.25 (31.8)	12
12	12	13	11	10	.81 (20.6)	1.13 (28.7)	1.31 (33.3)	14
14	14	15	13	12	.88 (22.4)	1.31 (33.3)	1.38 (35.1)	16
16	16	17	15	14	.94 (23.9)	1.38 (35.1)	1.44 (36.6)	20
18	18	19	17	16	.97 (24.6)	1.44 (36.6)	1.47 (37.3)	20
20	20	21	19	18	1.06 (26.9)	1.63 (41.4)	1.56 (39.6)	22
22	22	23	-	20	1.13 (28.7)	1.75 (44.5)	1.63 (41.4)	24
24	24	25	23	22	1.19 (30.2)	1.88 (47.8)	1.69 (42.9)	32
28	-	-	25	24	1.34 (34.0)	2.13 (54.1)	1.78 (45.2)	32

\*\*Consult factory for additional entry sizes available.

**TABLE III: FINISH**

Symbol	Finish Description
XM	2000 Hour Corrosion Resistant Electroless Nickel
XMT	2000 Hour Corrosion Resistant Ni-PTFE, Nickel-Fluorocarbon Polymer. 1000 Hour Grey™
XW	2000 Hour Corrosion Resistant Cadmium/Olive Drab over Electroless Nickel

**TABLE IV: CABLE ENTRY**

Entry Code	H		Entry Dia.*		Clamp Closed	
	±.06 (1.5)	(1.5)	±.03 (0.8)	(0.8)	±.03 (0.8)	(0.8)
10	.94	(23.9)	.22	(5.6)	.26	(6.6)
12	1.17	(29.7)	.28	(7.1)	.34	(8.6)
14	1.28	(32.5)	.34	(8.6)	.46	(11.7)
16	1.41	(35.8)	.46	(11.7)	.55	(14.0)
18	1.50	(38.1)	.55	(14.0)	.62	(15.7)
20	1.56	(39.6)	.62	(15.7)	.70	(17.8)
22	1.69	(42.9)	.70	(17.8)	.78	(19.8)
24	1.81	(46.0)	.78	(19.8)	.85	(21.6)
28	1.91	(48.5)	.85	(21.6)	.95	(24.1)
32	2.02	(51.3)	.95	(24.1)	1.02	(25.9)

\* Entry diameter equals maximum wire bundle diameter.