

NON - ENVIRONMENTAL BACKSHELL



Amphenol Non Environmental Backshell is an effective cable holding mechanism with good strain relief when the environmental protection of the cable termination area is not a concern. Amphenol offers cost effective solutions by eliminating extra sealing parts.

This type of Backshell is suitable for an inside the box/climate controlled room application where heavy cabling should be supported with adequate strain relief.

| For Connector Group | | Page No. |
|---------------------|---|--------------------|
| J | → | I-1 - I-6 |
| K | → | I-7 - I-11 |
| L | → | I-12 - I-16 |
| M | → | I-17 - I-21 |
| N | → | I-22 - I-26 |

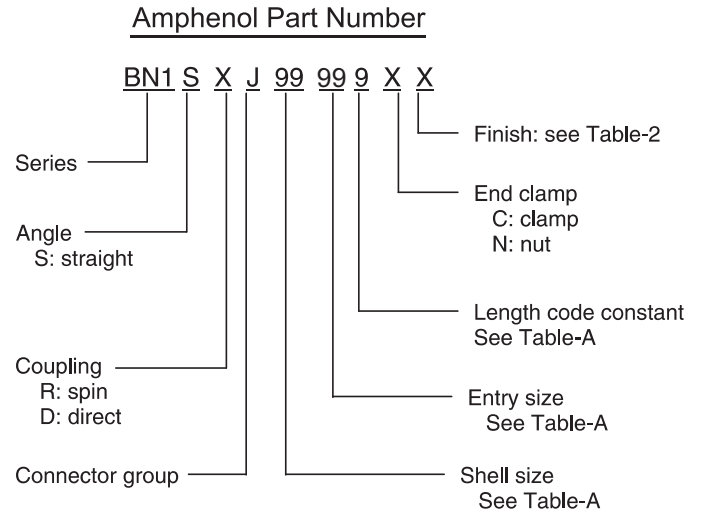
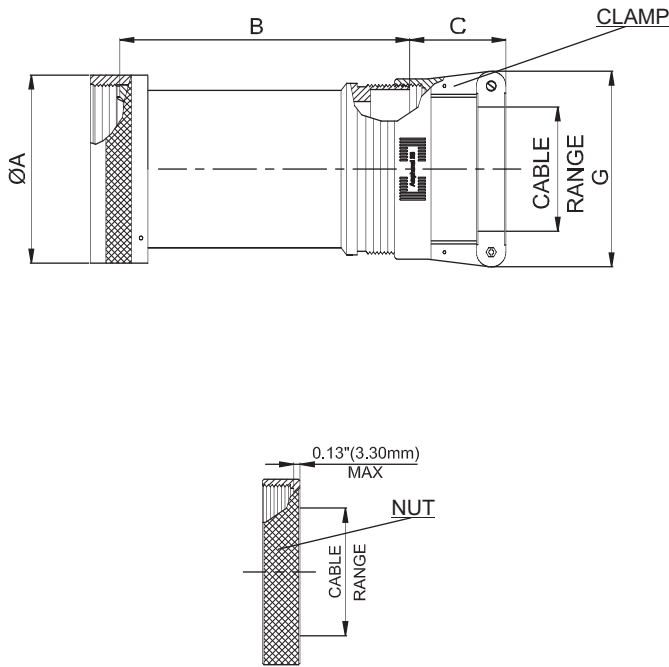
Note: For Connector group Identification refer Table 1 - A, B, C, D (Page 7-11) and for Material / Plating Finish, Refer Table-2 (Page 12)



Amphenol Non - Environmental Backshell

Connector Group - J

Straight



NOTE: * For more cable entry and length options, contact factory

| AMPHENOL PART NUMBER DESIGNATOR | | | CONNECTOR SHELL SIZE | TABLE - A | | | | | | | | | | | |
|---------------------------------|------------|--------|----------------------|--------------|-------|---------|-------|---------|-------|---------|-------|-------------|------|------|-------|
| SHELL SIZE | ENTRY SIZE | LENGTH | | A DIA. (MAX) | | B (MAX) | | C (REF) | | G (MAX) | | CABLE RANGE | | | |
| | | | | INCH | MM | INCH | MM | INCH | MM | INCH | MM | MIN | | MAX | |
| 08 | 01 | 1 | 8 | 0.62 | 15.67 | 2.13 | 54.10 | 1.03 | 26.09 | 0.96 | 24.31 | 0.13 | 3.18 | 0.25 | 6.35 |
| | | 2 | | 0.62 | 15.67 | 3.13 | 79.50 | 1.03 | 26.09 | 0.96 | 24.31 | 0.13 | 3.18 | 0.25 | 6.35 |
| | 02 | 1 | | 0.62 | 15.67 | 2.88 | 73.15 | 1.03 | 26.09 | 1.15 | 29.08 | 0.25 | 6.35 | 0.44 | 11.10 |
| | | 2 | | 0.62 | 15.67 | 3.88 | 98.55 | 1.03 | 26.09 | 1.15 | 29.08 | 0.25 | 6.35 | 0.44 | 11.10 |
| 10 | 01 | 1 | 10 | 0.73 | 18.64 | 2.13 | 54.10 | 1.03 | 26.09 | 0.96 | 24.31 | 0.13 | 3.18 | 0.31 | 7.92 |
| | | 2 | | 0.73 | 18.64 | 3.13 | 79.50 | 1.03 | 26.09 | 0.96 | 24.31 | 0.13 | 3.18 | 0.31 | 7.92 |
| | 02 | 1 | | 0.73 | 18.64 | 2.88 | 73.15 | 1.03 | 26.09 | 1.15 | 29.08 | 0.25 | 6.35 | 0.44 | 11.10 |
| | | 2 | | 0.73 | 18.64 | 3.88 | 98.55 | 1.03 | 26.09 | 1.15 | 29.08 | 0.25 | 6.35 | 0.44 | 11.10 |
| | 03 | 1 | | 0.73 | 18.64 | 2.13 | 54.10 | 1.03 | 26.09 | 1.15 | 29.08 | 0.25 | 6.35 | 0.38 | 9.53 |
| | | 2 | | 0.73 | 18.64 | 3.13 | 79.50 | 1.03 | 26.09 | 1.15 | 29.08 | 0.25 | 6.35 | 0.38 | 9.53 |
| 12 | 01 | 1 | 7/12 | 0.86 | 21.79 | 2.13 | 54.10 | 1.03 | 26.09 | 1.15 | 29.08 | 0.25 | 6.35 | 0.44 | 11.10 |
| | | 2 | | 0.86 | 21.79 | 3.13 | 79.50 | 1.03 | 26.09 | 1.15 | 29.08 | 0.25 | 6.35 | 0.44 | 11.10 |
| | 02 | 1 | | 0.86 | 21.79 | 2.88 | 73.15 | 1.03 | 26.09 | 1.33 | 33.83 | 0.35 | 8.89 | 0.63 | 15.88 |
| | | 2 | | 0.86 | 21.79 | 3.88 | 98.55 | 1.03 | 26.09 | 1.33 | 33.83 | 0.35 | 8.89 | 0.63 | 15.88 |
| | 03 | 1 | | 0.86 | 21.79 | 2.13 | 54.10 | 1.03 | 26.09 | 1.33 | 33.83 | 0.35 | 8.89 | 0.50 | 12.70 |
| | | 2 | | 0.86 | 21.79 | 3.13 | 79.50 | 1.03 | 26.09 | 0.96 | 24.31 | 0.13 | 3.18 | 0.31 | 7.92 |
| | 04 | 1 | | 0.86 | 21.79 | 2.13 | 54.10 | 1.03 | 26.09 | 0.96 | 24.31 | 0.13 | 3.18 | 0.31 | 7.92 |
| | | 2 | | 0.86 | 21.79 | 3.13 | 79.50 | 1.03 | 26.09 | 0.96 | 24.31 | 0.13 | 3.18 | 0.31 | 7.92 |
| | 05 | 1 | | 0.86 | 21.79 | 2.13 | 54.10 | 1.03 | 26.09 | 1.33 | 33.83 | 0.35 | 8.89 | 0.50 | 12.70 |
| | | 2 | | 0.86 | 21.79 | 3.13 | 79.50 | 1.03 | 26.09 | 1.33 | 33.83 | 0.35 | 8.89 | 0.50 | 12.70 |

Table Continued



Amphenol Non - Environmental Backshell

Connector Group - J

Straight

TABLE - A

| AMPHENOL PART NUMBER DESIGNATOR | | | CONNECTOR SHELL SIZE | A DIA. (MAX) | | B (MAX) | | C (REF) | | G (MAX) | | CABLE RANGE | | | |
|---------------------------------|------------|--------|----------------------|--------------|-------|---------|--------|---------|-------|---------|-------|-------------|-------|------|-------|
| SHELL SIZE | ENTRY SIZE | LENGTH | | INCH | MM | INCH | MM | INCH | MM | INCH | MM | MIN | | MAX | |
| | | | | | | | | | | | | INCH | MM | INCH | MM |
| 14 | 01 | 1 | 12/14 | 0.98 | 24.99 | 2.13 | 54.10 | 1.03 | 26.09 | 1.33 | 33.83 | 0.35 | 8.89 | 0.58 | 14.61 |
| | | 2 | | 0.98 | 24.99 | 3.13 | 79.50 | 1.03 | 26.09 | 1.33 | 33.83 | 0.35 | 8.89 | 0.58 | 14.61 |
| | 02 | 1 | | 0.98 | 24.99 | 2.88 | 73.15 | 1.06 | 26.90 | 1.55 | 39.40 | 0.50 | 12.70 | 0.75 | 19.05 |
| | | 2 | | 0.98 | 24.99 | 3.88 | 98.55 | 1.06 | 26.90 | 1.55 | 39.40 | 0.50 | 12.70 | 0.75 | 19.05 |
| | 03 | 1 | | 0.98 | 24.99 | 2.13 | 54.10 | 1.03 | 26.09 | 1.15 | 29.08 | 0.25 | 6.35 | 0.44 | 11.10 |
| | | 2 | | 0.98 | 24.99 | 3.13 | 79.50 | 1.03 | 26.09 | 1.15 | 29.08 | 0.25 | 6.35 | 0.44 | 11.10 |
| | 04 | 1 | | 0.98 | 24.99 | 2.13 | 54.10 | 1.03 | 26.09 | 0.96 | 24.31 | 0.13 | 3.18 | 0.31 | 7.92 |
| | | 2 | | 0.98 | 24.99 | 3.13 | 79.50 | 1.03 | 26.09 | 0.96 | 24.31 | 0.13 | 3.18 | 0.31 | 7.92 |
| 16 | 01 | 1 | 19/16 | 1.11 | 28.24 | 2.13 | 54.10 | 1.06 | 26.90 | 1.55 | 39.40 | 0.50 | 12.70 | 0.70 | 17.78 |
| | | 2 | | 1.11 | 28.24 | 3.13 | 79.50 | 1.06 | 26.90 | 1.55 | 39.40 | 0.50 | 12.70 | 0.70 | 17.78 |
| | 02 | 1 | | 1.11 | 28.24 | 2.88 | 73.15 | 1.16 | 29.36 | 1.77 | 44.96 | 0.63 | 15.88 | 0.94 | 23.80 |
| | | 2 | | 1.11 | 28.24 | 3.88 | 98.55 | 1.16 | 29.36 | 1.77 | 44.96 | 0.63 | 15.88 | 0.94 | 23.80 |
| | 03 | 1 | | 1.11 | 28.24 | 2.13 | 54.10 | 1.03 | 26.09 | 1.15 | 29.08 | 0.25 | 6.35 | 0.44 | 11.10 |
| | | 2 | | 1.11 | 28.24 | 3.13 | 79.50 | 1.03 | 26.09 | 1.15 | 29.08 | 0.25 | 6.35 | 0.44 | 11.10 |
| | 04 | 1 | | 1.11 | 28.24 | 2.13 | 54.10 | 1.03 | 26.09 | 1.33 | 33.83 | 0.35 | 8.89 | 0.63 | 15.88 |
| | | 2 | | 1.11 | 28.24 | 3.13 | 79.50 | 1.03 | 26.09 | 1.33 | 33.83 | 0.35 | 8.89 | 0.63 | 15.88 |
| | 05 | 1 | | 1.11 | 28.24 | 2.13 | 54.10 | 1.03 | 26.09 | 0.96 | 24.31 | 0.13 | 3.18 | 0.31 | 7.92 |
| | | 2 | | 1.11 | 28.24 | 3.13 | 79.50 | 1.03 | 26.09 | 0.96 | 24.31 | 0.13 | 3.18 | 0.31 | 7.92 |
| 18 | 01 | 1 | 27/18 | 1.22 | 30.94 | 2.13 | 54.10 | 1.03 | 26.09 | 1.33 | 33.83 | 0.35 | 8.89 | 0.63 | 15.88 |
| | | 2 | | 1.22 | 30.94 | 3.13 | 79.50 | 1.03 | 26.09 | 1.33 | 33.83 | 0.35 | 8.89 | 0.63 | 15.88 |
| | 02 | 1 | | 1.22 | 30.94 | 2.13 | 54.10 | 1.06 | 26.90 | 1.55 | 39.40 | 0.50 | 12.70 | 0.75 | 19.05 |
| | | 2 | | 1.22 | 30.94 | 3.13 | 79.50 | 1.06 | 26.90 | 1.55 | 39.40 | 0.50 | 12.70 | 0.75 | 19.05 |
| | 03 | 1 | | 1.22 | 30.94 | 2.88 | 73.15 | 1.16 | 29.36 | 1.77 | 44.96 | 0.63 | 15.88 | 0.94 | 23.80 |
| | | 2 | | 1.22 | 30.94 | 3.88 | 98.55 | 1.16 | 29.36 | 1.77 | 44.96 | 0.63 | 15.88 | 0.94 | 23.80 |
| | 04 | 1 | | 1.22 | 30.94 | 2.13 | 54.10 | 1.03 | 26.09 | 0.96 | 24.31 | 0.13 | 3.18 | 0.31 | 7.92 |
| | | 2 | | 1.22 | 30.94 | 3.13 | 79.50 | 1.03 | 26.09 | 0.96 | 24.31 | 0.13 | 3.18 | 0.31 | 7.92 |
| | 05 | 1 | | 1.22 | 30.94 | 2.13 | 54.10 | 1.03 | 26.09 | 1.15 | 29.08 | 0.25 | 6.35 | 0.44 | 11.10 |
| | | 2 | | 1.22 | 30.94 | 3.13 | 79.50 | 1.03 | 26.09 | 1.15 | 29.08 | 0.25 | 6.35 | 0.44 | 11.10 |
| 20 | 01 | 1 | 37/20 | 1.35 | 34.16 | 3.13 | 79.50 | 1.03 | 26.09 | 1.33 | 33.83 | 0.35 | 8.89 | 0.63 | 15.88 |
| | | 2 | | 1.35 | 34.16 | 4.13 | 104.90 | 1.03 | 26.09 | 1.33 | 33.83 | 0.35 | 8.89 | 0.63 | 15.88 |
| | 02 | 1 | | 1.35 | 34.16 | 3.13 | 79.50 | 1.06 | 26.90 | 1.55 | 39.40 | 0.50 | 12.70 | 0.75 | 19.05 |
| | | 2 | | 1.35 | 34.16 | 4.13 | 104.90 | 1.06 | 26.90 | 1.55 | 39.40 | 0.50 | 12.70 | 0.75 | 19.05 |
| | 03 | 1 | | 1.35 | 34.16 | 3.88 | 98.55 | 1.16 | 29.36 | 1.77 | 44.96 | 0.63 | 15.88 | 0.94 | 23.80 |
| | | 2 | | 1.35 | 34.16 | 4.88 | 123.95 | 1.16 | 29.36 | 1.77 | 44.96 | 0.63 | 15.88 | 0.94 | 23.80 |
| | 04 | 1 | | 1.35 | 34.16 | 3.88 | 98.55 | 1.38 | 34.93 | 2.11 | 53.67 | 0.88 | 22.23 | 1.25 | 31.75 |
| | | 2 | | 1.35 | 34.16 | 4.88 | 123.95 | 1.38 | 34.93 | 2.11 | 53.67 | 0.88 | 22.23 | 1.25 | 31.75 |
| | 05 | 1 | | 1.35 | 34.16 | 3.13 | 79.50 | 1.03 | 26.09 | 1.15 | 29.08 | 0.25 | 6.35 | 0.44 | 11.10 |
| | | 2 | | 1.35 | 34.16 | 4.13 | 104.90 | 1.03 | 26.09 | 1.15 | 29.08 | 0.25 | 6.35 | 0.44 | 11.10 |
| | 06 | 1 | | 1.35 | 34.16 | 3.13 | 79.50 | 1.16 | 29.36 | 1.77 | 44.96 | 0.63 | 15.88 | 0.90 | 22.96 |
| | | 2 | | 1.35 | 34.16 | 4.13 | 104.90 | 1.16 | 29.36 | 1.77 | 44.96 | 0.63 | 15.88 | 0.90 | 22.96 |
| 22 | 01 | 1 | 22 | 1.47 | 37.29 | 3.13 | 79.50 | 1.03 | 26.09 | 1.33 | 33.83 | 0.35 | 8.89 | 0.63 | 15.88 |
| | | 2 | | 1.47 | 37.29 | 4.13 | 104.90 | 1.03 | 26.09 | 1.33 | 33.83 | 0.35 | 8.89 | 0.63 | 15.88 |
| | 02 | 1 | | 1.47 | 37.29 | 3.13 | 79.50 | 1.06 | 26.90 | 1.55 | 39.40 | 0.50 | 12.70 | 0.75 | 19.05 |
| | | 2 | | 1.47 | 37.29 | 4.13 | 104.90 | 1.06 | 26.90 | 1.55 | 39.40 | 0.50 | 12.70 | 0.75 | 19.05 |
| | 03 | 1 | | 1.47 | 37.29 | 3.13 | 79.50 | 1.16 | 29.36 | 1.77 | 44.96 | 0.63 | 15.88 | 0.94 | 23.80 |
| | | 2 | | 1.47 | 37.29 | 4.13 | 104.90 | 1.16 | 29.36 | 1.77 | 44.96 | 0.63 | 15.88 | 0.94 | 23.80 |
| | 04 | 1 | | 1.47 | 37.29 | 3.88 | 98.55 | 1.38 | 34.93 | 2.11 | 53.67 | 0.88 | 22.23 | 1.25 | 31.75 |
| | | 2 | | 1.47 | 37.29 | 4.88 | 123.95 | 1.38 | 34.93 | 2.11 | 53.67 | 0.88 | 22.23 | 1.25 | 31.75 |
| | 05 | 1 | | 1.47 | 37.29 | 3.13 | 79.50 | 1.03 | 26.09 | 0.96 | 24.31 | 0.13 | 3.18 | 0.31 | 7.92 |
| | | 2 | | 1.47 | 37.29 | 4.13 | 104.90 | 1.03 | 26.09 | 0.96 | 24.31 | 0.13 | 3.18 | 0.31 | 7.92 |
| | 06 | 1 | | 1.47 | 37.29 | 3.13 | 79.50 | 1.03 | 26.09 | 1.15 | 29.08 | 0.25 | 6.35 | 0.44 | 11.10 |
| | | 2 | | 1.47 | 37.29 | 4.13 | 104.90 | 1.03 | 26.09 | 1.15 | 29.08 | 0.25 | 6.35 | 0.44 | 11.10 |
| | 07 | 1 | | 1.47 | 37.29 | 3.13 | 79.50 | 1.38 | 34.93 | 2.11 | 53.67 | 0.88 | 22.23 | 1.03 | 26.14 |
| | | 2 | | 1.47 | 37.29 | 4.13 | 104.90 | 1.38 | 34.93 | 2.11 | 53.67 | 0.88 | 22.23 | 1.03 | 26.14 |

Table Continued



Connector Group - J

Straight

| AMPHENOL PART NUMBER DESIGNATOR | | | CONNECTOR SHELL SIZE | TABLE - A | | | | | | | | | | | |
|---------------------------------|------------|--------|----------------------|--------------|-------|---------|--------|---------|-------|---------|-------|-------------|-------|-------|--------|
| SHELL SIZE | ENTRY SIZE | LENGTH | | A DIA. (MAX) | | B (MAX) | | C (REF) | | G (MAX) | | CABLE RANGE | | | |
| | | | | INCH | MM | INCH | MM | INCH | MM | INCH | MM | MIN | | MAX | |
| | | | | | | | | | | | | INCH | MM | INCH | MM |
| 24 | 01 | 1 | 24 | 1.59 | 40.46 | 3.13 | 79.50 | 1.06 | 26.90 | 1.55 | 39.40 | 0.50 | 12.70 | 0.75 | 19.05 |
| | | 2 | | 1.59 | 40.46 | 4.13 | 104.90 | 1.06 | 26.90 | 1.55 | 39.40 | 0.50 | 12.70 | 0.75 | 19.05 |
| | 02 | 1 | | 1.59 | 40.46 | 3.13 | 79.50 | 1.16 | 29.36 | 1.77 | 44.96 | 0.63 | 15.88 | 0.81 | 20.62 |
| | | 2 | | 1.59 | 40.46 | 4.13 | 104.90 | 1.16 | 29.36 | 1.77 | 44.96 | 0.63 | 15.88 | 0.81 | 20.62 |
| | 03 | 1 | | 1.59 | 40.46 | 3.13 | 79.50 | 1.16 | 29.36 | 1.77 | 44.96 | 0.63 | 15.88 | 0.94 | 23.80 |
| | | 2 | | 1.59 | 40.46 | 4.13 | 104.90 | 1.16 | 29.36 | 1.77 | 44.96 | 0.63 | 15.88 | 0.94 | 23.80 |
| | 04 | 1 | | 1.59 | 40.46 | 3.88 | 98.55 | 1.38 | 34.93 | 2.11 | 53.67 | 0.88 | 22.23 | 1.25 | 31.75 |
| | | 2 | | 1.59 | 40.46 | 4.88 | 123.95 | 1.38 | 34.93 | 2.11 | 53.67 | 0.88 | 22.23 | 1.25 | 31.75 |
| | 05 | 1 | | 1.59 | 40.46 | 3.13 | 79.50 | 1.03 | 26.09 | 1.33 | 33.83 | 0.35 | 8.89 | 0.63 | 15.88 |
| | | 2 | | 1.59 | 40.46 | 4.13 | 104.90 | 1.03 | 26.09 | 1.33 | 33.83 | 0.35 | 8.89 | 0.63 | 15.88 |
| | 06 | 1 | | 1.59 | 40.46 | 3.13 | 79.50 | 1.38 | 34.93 | 2.11 | 53.67 | 0.88 | 22.23 | 1.14 | 29.06 |
| | | 2 | | 1.59 | 40.46 | 4.13 | 104.90 | 1.38 | 34.93 | 2.11 | 53.67 | 0.88 | 22.23 | 1.14 | 29.06 |
| 28 | 01 | 1 | 28 | 1.97 | 50.01 | 3.13 | 79.50 | 1.06 | 26.90 | 1.55 | 39.40 | 0.50 | 12.70 | 0.75 | 19.05 |
| | | 2 | | 1.97 | 50.01 | 4.13 | 104.90 | 1.06 | 26.90 | 1.55 | 39.40 | 0.50 | 12.70 | 0.75 | 19.05 |
| | 02 | 1 | | 1.97 | 50.01 | 3.13 | 79.50 | 1.16 | 29.36 | 1.77 | 44.96 | 0.63 | 15.88 | 0.94 | 23.80 |
| | | 2 | | 1.97 | 50.01 | 4.13 | 104.90 | 1.16 | 29.36 | 1.77 | 44.96 | 0.63 | 15.88 | 0.94 | 23.80 |
| | 03 | 1 | | 1.97 | 50.01 | 3.13 | 79.50 | 1.38 | 34.93 | 2.11 | 53.67 | 0.88 | 22.23 | 1.25 | 31.75 |
| | | 2 | | 1.97 | 50.01 | 4.13 | 104.90 | 1.38 | 34.93 | 2.11 | 53.67 | 0.88 | 22.23 | 1.25 | 31.75 |
| | 04 | 1 | | 1.97 | 50.01 | 3.13 | 79.50 | 1.50 | 38.10 | 2.36 | 60.02 | 1.00 | 25.40 | 1.38 | 34.93 |
| | | 2 | | 1.97 | 50.01 | 4.13 | 104.90 | 1.50 | 38.10 | 2.36 | 60.02 | 1.00 | 25.40 | 1.38 | 34.93 |
| 32 | 01 | 1 | 32 | 2.22 | 56.36 | 3.13 | 79.50 | 1.16 | 29.36 | 1.77 | 44.96 | 0.63 | 15.88 | 0.94 | 23.80 |
| | | 2 | | 2.22 | 56.36 | 4.13 | 104.90 | 1.16 | 29.36 | 1.77 | 44.96 | 0.63 | 15.88 | 0.94 | 23.80 |
| | 02 | 1 | | 2.22 | 56.36 | 3.13 | 79.50 | 1.38 | 34.93 | 2.11 | 53.67 | 0.88 | 22.23 | 12.50 | 317.50 |
| | | 2 | | 2.22 | 56.36 | 4.13 | 104.90 | 1.38 | 34.93 | 2.11 | 53.67 | 0.88 | 22.23 | 1.25 | 31.75 |
| | 03 | 1 | | 2.22 | 56.36 | 3.13 | 79.50 | 1.50 | 38.10 | 2.36 | 60.02 | 1.00 | 25.40 | 1.38 | 34.93 |
| | | 2 | | 2.22 | 56.36 | 4.13 | 104.90 | 1.50 | 38.10 | 2.36 | 60.02 | 1.00 | 25.40 | 1.38 | 34.93 |
| | 04 | 1 | | 2.22 | 56.36 | 3.13 | 79.50 | 1.78 | 45.24 | 2.77 | 70.36 | 1.25 | 31.75 | 1.63 | 41.28 |
| | | 2 | | 2.22 | 56.36 | 4.13 | 104.90 | 1.78 | 45.24 | 2.77 | 70.36 | 1.25 | 31.75 | 1.63 | 41.28 |
| 36 | 01 | 1 | 36 | 2.47 | 62.71 | 4.13 | 104.90 | 1.38 | 34.93 | 2.11 | 53.67 | 0.88 | 22.23 | 1.25 | 31.75 |
| | | 2 | | 2.47 | 62.71 | 5.13 | 130.30 | 1.38 | 34.93 | 2.11 | 53.67 | 0.88 | 22.23 | 1.25 | 31.75 |
| | 02 | 1 | | 2.47 | 62.71 | 4.13 | 104.90 | 1.50 | 38.10 | 2.36 | 60.02 | 1.00 | 25.40 | 1.38 | 34.93 |
| | | 2 | | 2.47 | 62.71 | 5.13 | 130.30 | 1.50 | 38.10 | 2.36 | 60.02 | 1.00 | 25.40 | 1.38 | 34.93 |
| | 03 | 1 | | 2.47 | 62.71 | 4.13 | 104.90 | 1.78 | 45.24 | 2.77 | 70.36 | 1.25 | 31.75 | 1.63 | 41.28 |
| | | 2 | | 2.47 | 62.71 | 5.13 | 130.30 | 1.78 | 45.24 | 2.77 | 70.36 | 1.25 | 31.75 | 1.63 | 41.28 |
| | 04 | 1 | | 2.47 | 62.71 | 5.01 | 127.25 | 1.83 | 46.48 | 3.02 | 76.71 | 1.44 | 36.50 | 1.88 | 47.63 |
| | | 2 | | 2.47 | 62.71 | 6.01 | 152.65 | 1.83 | 46.48 | 3.02 | 76.71 | 1.44 | 36.50 | 1.88 | 47.63 |
| | 05 | 1 | | 2.47 | 62.71 | 4.13 | 104.90 | 1.06 | 26.90 | 1.55 | 39.40 | 0.50 | 12.70 | 0.75 | 19.05 |
| | | 2 | | 2.47 | 62.71 | 5.13 | 130.30 | 1.06 | 26.90 | 1.55 | 39.40 | 0.50 | 12.70 | 0.75 | 19.05 |
| | 06 | 1 | | 2.47 | 62.71 | 4.13 | 104.90 | 1.83 | 46.48 | 3.02 | 76.71 | 1.44 | 36.50 | 1.84 | 46.74 |
| | | 2 | | 2.47 | 62.71 | 5.13 | 130.30 | 1.83 | 46.48 | 3.02 | 76.71 | 1.44 | 36.50 | 1.84 | 46.74 |
| | 07 | 1 | | 2.47 | 62.71 | 4.13 | 104.90 | 1.16 | 29.36 | 1.77 | 44.96 | 0.63 | 15.88 | 0.94 | 23.80 |
| | | 2 | | 2.47 | 62.71 | 5.13 | 130.30 | 1.16 | 29.36 | 1.77 | 44.96 | 0.63 | 15.88 | 0.94 | 23.80 |
| 40 | 01 | 1 | 40 | 2.72 | 69.06 | 4.13 | 104.90 | 1.38 | 34.93 | 2.11 | 53.67 | 0.88 | 22.23 | 1.25 | 31.75 |
| | | 2 | | 2.72 | 69.06 | 5.13 | 130.30 | 1.38 | 34.93 | 2.11 | 53.67 | 0.88 | 22.23 | 1.25 | 31.75 |
| | 02 | 1 | | 2.72 | 69.06 | 4.13 | 104.90 | 1.50 | 38.10 | 2.36 | 60.02 | 1.00 | 25.40 | 1.38 | 34.93 |
| | | 2 | | 2.72 | 69.06 | 5.13 | 130.30 | 1.50 | 38.10 | 2.36 | 60.02 | 1.00 | 25.40 | 1.38 | 34.93 |
| | 03 | 1 | | 2.72 | 69.06 | 4.13 | 104.90 | 1.78 | 45.24 | 2.77 | 70.36 | 1.25 | 31.75 | 1.63 | 41.28 |
| | | 2 | | 2.72 | 69.06 | 5.13 | 130.30 | 1.78 | 45.24 | 2.77 | 70.36 | 1.25 | 31.75 | 1.63 | 41.28 |
| | 04 | 1 | | 2.72 | 69.06 | 4.13 | 104.90 | 1.83 | 46.48 | 3.02 | 76.71 | 1.44 | 36.50 | 1.88 | 47.63 |
| | | 2 | | 2.72 | 69.06 | 5.13 | 130.30 | 1.83 | 46.48 | 3.02 | 76.71 | 1.44 | 36.50 | 1.88 | 47.63 |
| | 05 | 1 | | 2.72 | 69.06 | 4.13 | 104.90 | 1.06 | 26.90 | 1.55 | 39.40 | 0.50 | 12.70 | 0.75 | 19.05 |
| | | 2 | | 2.72 | 69.06 | 5.13 | 130.30 | 1.06 | 26.90 | 1.55 | 39.40 | 0.50 | 12.70 | 0.75 | 19.05 |
| | 06 | 1 | | 2.72 | 69.06 | 4.13 | 104.90 | 1.16 | 29.36 | 1.77 | 44.96 | 0.63 | 15.88 | 0.94 | 23.80 |
| | | 2 | | 2.72 | 69.06 | 5.13 | 130.30 | 1.16 | 29.36 | 1.77 | 44.96 | 0.63 | 15.88 | 0.94 | 23.80 |

Table Continued



Amphenol Non - Environmental Backshell

Connector Group - J

Straight

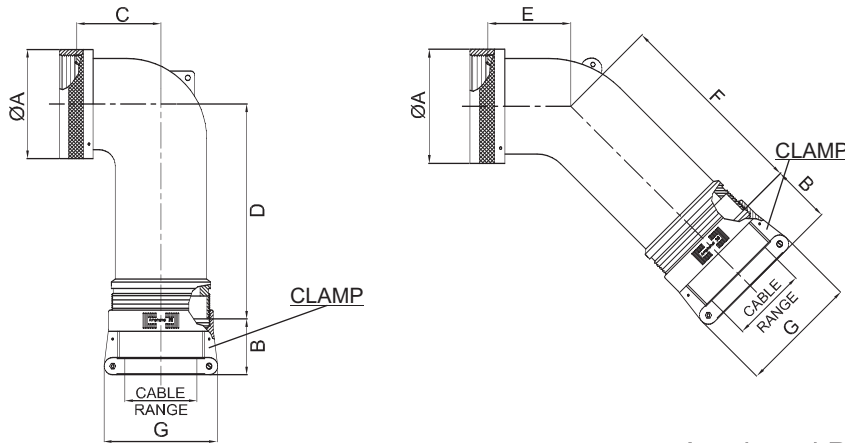
TABLE - A

| AMPHENOL PART NUMBER DESIGNATOR | | | CONNECTOR SHELL SIZE | A DIA. (MAX) | | B (MAX) | | C (REF) | | G (MAX) | | CABLE RANGE | | | |
|---------------------------------|------------|--------|----------------------|--------------|------|---------|------|---------|------|---------|------|-------------|------|-------|------|
| SHELL SIZE | ENTRY SIZE | LENGTH | | INCH | MM | INCH | MM | INCH | MM | INCH | MM | MIN | | MAX | |
| | | | | | | | | | | | | INCH | MM | INCH | MM |
| 44 | 01 | 1 | 2.97 | 75.41 | 4.13 | 104.90 | 1.38 | 34.93 | 2.11 | 53.67 | 0.88 | 22.23 | 1.25 | 31.75 | |
| | | 2 | | | | | | | | | | | | | 5.13 |
| | 02 | 1 | 2.97 | 75.41 | 4.13 | 104.90 | 1.50 | 38.10 | 2.36 | 60.02 | 1.00 | 25.40 | 1.38 | 34.93 | |
| | | 2 | | | | | | | | | | | | | 5.13 |
| | 03 | 1 | 2.97 | 75.41 | 4.13 | 104.90 | 1.78 | 45.24 | 2.77 | 70.36 | 1.25 | 31.75 | 1.63 | 41.28 | |
| | | 2 | | | | | | | | | | | | | 5.13 |
| | 04 | 1 | 2.97 | 75.41 | 4.13 | 104.90 | 1.83 | 46.48 | 3.02 | 76.71 | 1.44 | 36.50 | 1.88 | 47.63 | |
| | | 2 | | | | | | | | | | | | | 5.13 |
| | 05 | 1 | 2.97 | 75.41 | 4.13 | 104.90 | 1.16 | 29.36 | 1.77 | 44.96 | 0.63 | 15.88 | 0.94 | 23.80 | |
| | | 2 | | | | | | | | | | | | | 5.13 |
| 48 | 01 | 1 | 3.22 | 81.76 | 4.13 | 104.90 | 1.38 | 34.93 | 2.11 | 53.67 | 0.88 | 22.23 | 1.25 | 31.75 | |
| | | 2 | | | | | | | | | | | | | 5.13 |
| | 02 | 1 | 3.22 | 81.76 | 4.13 | 104.90 | 1.50 | 38.10 | 2.36 | 60.02 | 1.00 | 25.40 | 1.38 | 34.93 | |
| | | 2 | | | | | | | | | | | | | 5.13 |
| | 03 | 1 | 3.22 | 81.76 | 4.13 | 104.90 | 1.78 | 45.24 | 2.77 | 70.36 | 1.25 | 31.75 | 1.63 | 41.28 | |
| | | 2 | | | | | | | | | | | | | 5.13 |
| | 04 | 1 | 3.22 | 81.76 | 4.13 | 104.90 | 1.83 | 46.48 | 3.02 | 76.71 | 1.44 | 36.50 | 1.88 | 47.63 | |
| | | 2 | | | | | | | | | | | | | 5.13 |

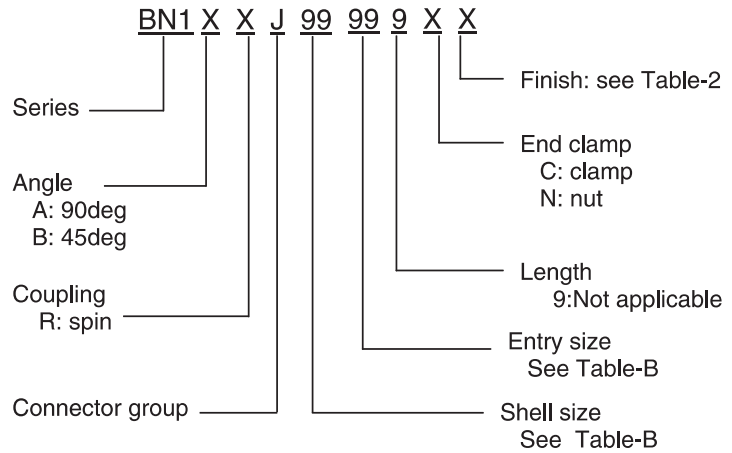


Connector Group - J

90°, 45°



Amphenol Part Number



NOTE: * For more cable entry options, contact factory

TABLE - B

| AMPHENOL PART NUMBER DESIGNATOR | | CONNECTOR SHELL SIZE | A DIA. (MAX) | | B (REF) | | C (MAX) | | D (MAX) | | E (MAX) | | F (MAX) | | G (MAX) | | CABLE RANGE | | | |
|---------------------------------|------------|----------------------|--------------|-------|---------|-------|---------|-------|---------|-------|---------|-------|---------|-------|---------|-------|-------------|-------|------|-------|
| SHELL SIZE | ENTRY SIZE | | INCH | MM | INCH | MM | INCH | MM | INCH | MM | INCH | MM | INCH | MM | INCH | MM | MIN | | MAX | |
| | | | | | | | | | | | | | | | | | INCH | MM | INCH | MM |
| 08 | 01 | 8 | 0.62 | 15.67 | 1.03 | 26.09 | 0.67 | 17.02 | 1.26 | 32.00 | 0.63 | 16.00 | 1.25 | 31.75 | 0.96 | 24.31 | 0.13 | 3.18 | 0.25 | 6.35 |
| | 02 | | 0.73 | 18.64 | 1.03 | 26.09 | 0.76 | 19.30 | 1.98 | 50.29 | 0.69 | 17.53 | 1.92 | 48.77 | 0.96 | 24.31 | 0.13 | 3.18 | 0.31 | 7.92 |
| 10 | 02 | 10 | 0.73 | 18.64 | 1.03 | 26.09 | 1.52 | 38.61 | 2.00 | 50.80 | 1.50 | 38.10 | 1.98 | 50.29 | 1.15 | 29.08 | 0.25 | 6.35 | 0.44 | 11.10 |
| | 03 | | 0.73 | 18.64 | 1.03 | 26.09 | 0.76 | 19.30 | 1.38 | 35.05 | 0.69 | 17.53 | 1.31 | 33.27 | 1.15 | 29.08 | 0.25 | 6.35 | 0.38 | 9.53 |
| 12 | 01 | 7/12 | 0.86 | 21.79 | 1.03 | 26.09 | 0.77 | 19.56 | 2.00 | 50.80 | 0.75 | 19.05 | 1.98 | 50.29 | 0.96 | 24.31 | 0.13 | 3.18 | 0.31 | 7.92 |
| | 02 | | 0.86 | 21.79 | 1.03 | 26.09 | 1.81 | 45.97 | 2.16 | 54.86 | 1.65 | 41.91 | 2.18 | 55.37 | 1.33 | 33.83 | 0.35 | 8.89 | 0.63 | 15.88 |
| | 03 | | 0.86 | 21.79 | 1.03 | 26.09 | 0.77 | 19.56 | 2.00 | 50.80 | 0.75 | 19.05 | 1.98 | 50.29 | 1.15 | 29.08 | 0.25 | 6.35 | 0.44 | 11.10 |
| | 04 | | 0.86 | 21.79 | 1.03 | 26.09 | 0.77 | 19.56 | 1.40 | 35.56 | 0.75 | 19.05 | 1.98 | 50.29 | 1.33 | 33.83 | 0.35 | 8.89 | 0.50 | 12.70 |
| 14 | 01 | 12/14 | 0.98 | 24.99 | 1.03 | 26.09 | 0.87 | 22.10 | 2.07 | 52.58 | 0.81 | 20.57 | 2.07 | 52.58 | 1.15 | 29.08 | 0.25 | 6.35 | 0.44 | 11.10 |
| | 02 | | 0.98 | 24.99 | 1.03 | 26.09 | 0.87 | 22.10 | 1.72 | 43.69 | 0.81 | 20.57 | 1.72 | 43.69 | 1.33 | 33.83 | 0.35 | 8.89 | 0.58 | 14.61 |
| | 03 | | 0.98 | 24.99 | 1.06 | 26.90 | 1.89 | 48.01 | 2.33 | 59.18 | 1.84 | 46.74 | 2.37 | 60.20 | 1.55 | 39.40 | 0.50 | 12.70 | 0.75 | 19.05 |
| | 04 | | 0.98 | 24.99 | 1.03 | 26.09 | 0.87 | 22.10 | 2.07 | 52.58 | 0.81 | 20.57 | 2.07 | 52.58 | 0.96 | 24.31 | 0.13 | 3.18 | 0.31 | 7.92 |
| 16 | 01 | 19/16 | 1.11 | 28.24 | 1.03 | 26.09 | 1.05 | 26.67 | 2.16 | 54.86 | 0.91 | 23.11 | 2.18 | 55.37 | 1.15 | 29.08 | 0.25 | 6.35 | 0.44 | 11.10 |
| | 02 | | 1.11 | 28.24 | 1.06 | 26.90 | 1.05 | 26.67 | 1.81 | 45.97 | 0.91 | 23.11 | 1.82 | 46.23 | 1.55 | 39.40 | 0.50 | 12.70 | 0.70 | 17.78 |
| | 03 | | 1.11 | 28.24 | 1.03 | 26.09 | 1.05 | 26.67 | 2.16 | 54.86 | 0.91 | 23.11 | 2.18 | 55.37 | 1.33 | 33.83 | 0.35 | 8.89 | 0.63 | 15.88 |
| | 04 | | 1.11 | 28.24 | 1.16 | 29.36 | 2.04 | 51.82 | 2.44 | 61.98 | 1.94 | 49.28 | 2.52 | 64.01 | 1.77 | 44.96 | 0.63 | 15.88 | 0.94 | 23.80 |
| | 05 | | 1.11 | 28.24 | 1.03 | 26.09 | 1.05 | 26.67 | 2.16 | 54.86 | 0.91 | 23.11 | 2.18 | 55.37 | 0.96 | 24.31 | 0.13 | 3.18 | 0.31 | 7.92 |

Table Continued

Amphenol Non - Environmental Backshell

Connector Group - J

90°, 45°

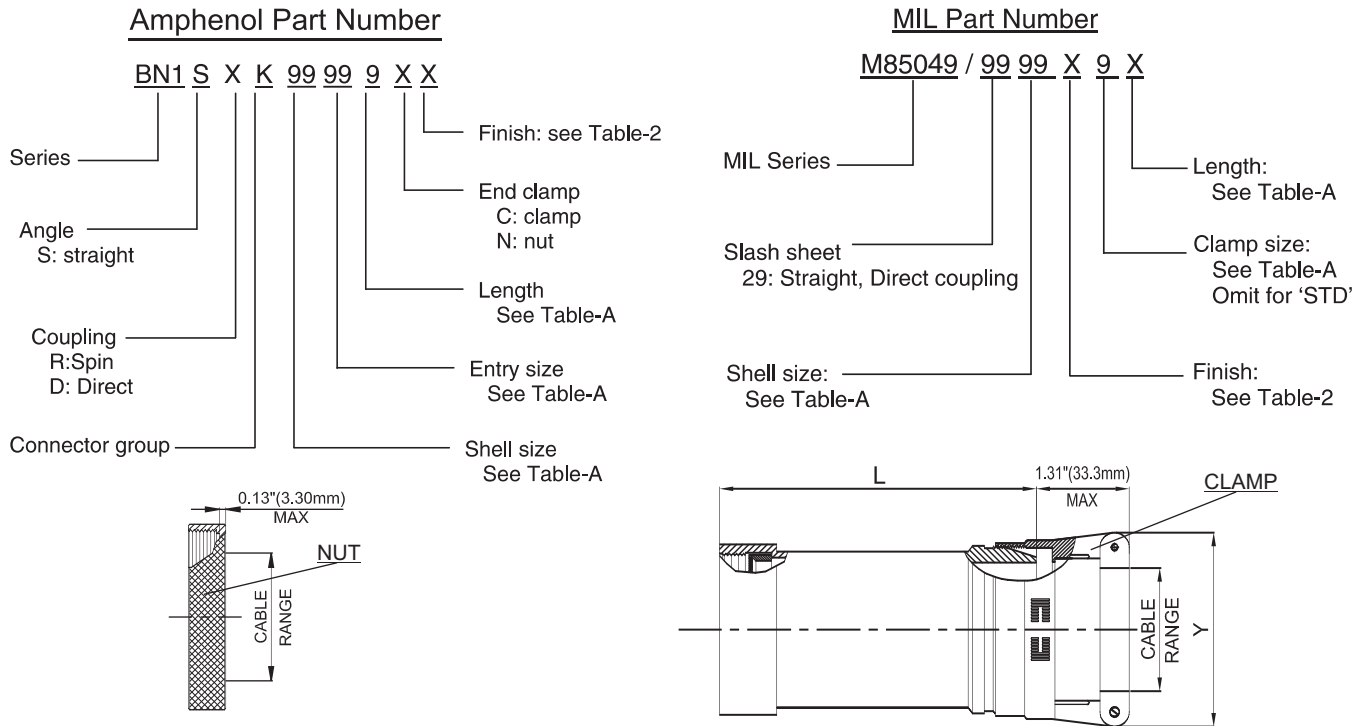
TABLE - B

| AMPHENOL PART NUMBER DESIGNATOR | CONNECTOR SHELL SIZE | A DIA. (MAX) | | B (REF) | | C (MAX) | | D (MAX) | | E (MAX) | | F (MAX) | | G (MAX) | | CABLE RANGE | | | | |
|---------------------------------|----------------------|--------------|------------|---------|------|---------|------|---------|------|---------|------|---------|------|---------|------|-------------|------|-------|------|-------|
| | | SHELL SIZE | ENTRY SIZE | INCH | MM | INCH | MM | INCH | MM | INCH | MM | INCH | MM | INCH | MM | MIN | | MAX | | |
| | | | | | | | | | | | | | | | | INCH | MM | INCH | MM | |
| 18 | 27/18 | 01 | 1.22 | 30.94 | 1.03 | 26.09 | 1.14 | 28.96 | 2.33 | 59.18 | 1.09 | 27.69 | 2.37 | 60.20 | 1.33 | 33.83 | 0.35 | 8.89 | 0.63 | 15.88 |
| | | 02 | 1.22 | 30.94 | 1.16 | 29.36 | 1.14 | 28.96 | 1.98 | 50.29 | 1.09 | 27.69 | 2.00 | 50.80 | 1.77 | 44.96 | 0.63 | 15.88 | 0.78 | 19.79 |
| | | 03 | 1.22 | 30.94 | 1.03 | 26.09 | 1.14 | 28.96 | 2.33 | 59.18 | 1.09 | 27.69 | 2.37 | 60.20 | 0.96 | 24.31 | 0.13 | 3.18 | 0.31 | 7.92 |
| | | 04 | 1.22 | 30.94 | 1.03 | 26.09 | 1.14 | 28.96 | 2.33 | 59.18 | 1.09 | 27.69 | 2.37 | 60.20 | 1.15 | 29.08 | 0.25 | 6.35 | 0.44 | 11.10 |
| | | 05 | 1.22 | 30.94 | 1.06 | 26.90 | 1.14 | 28.96 | 2.33 | 59.18 | 1.09 | 27.69 | 2.37 | 60.20 | 1.55 | 39.40 | 0.50 | 12.70 | 0.75 | 19.05 |
| 20 | 37/20 | 01 | 1.22 | 30.94 | 1.16 | 29.36 | 2.05 | 52.07 | 2.44 | 61.98 | 1.94 | 49.28 | 2.52 | 64.01 | 1.77 | 44.96 | 0.63 | 15.88 | 0.94 | 23.80 |
| | | 02 | 1.35 | 34.16 | 1.03 | 26.09 | 1.14 | 28.96 | 1.98 | 50.29 | 1.09 | 27.69 | 2.00 | 50.80 | 1.77 | 44.96 | 0.63 | 15.88 | 0.90 | 22.96 |
| | | 03 | 1.35 | 34.16 | 1.03 | 26.09 | 1.14 | 28.96 | 2.33 | 59.18 | 1.09 | 27.69 | 2.37 | 60.20 | 1.15 | 29.08 | 0.25 | 6.35 | 0.44 | 11.10 |
| | | 04 | 1.35 | 34.16 | 1.06 | 26.90 | 1.14 | 28.96 | 2.33 | 59.18 | 1.09 | 27.69 | 2.37 | 60.20 | 1.55 | 39.40 | 0.50 | 12.70 | 0.75 | 19.05 |
| | | 05 | 1.35 | 34.16 | 1.38 | 34.93 | 2.14 | 54.36 | 2.61 | 66.29 | 2.06 | 52.32 | 2.57 | 65.28 | 2.11 | 53.67 | 0.88 | 22.23 | 1.25 | 31.75 |
| 22 | 22 | 01 | 1.47 | 37.29 | 1.06 | 26.90 | 1.29 | 32.77 | 2.44 | 61.98 | 1.19 | 30.23 | 2.52 | 64.01 | 1.55 | 39.40 | 0.50 | 12.70 | 0.75 | 19.05 |
| | | 02 | 1.47 | 37.29 | 1.38 | 34.93 | 1.29 | 32.77 | 2.09 | 53.09 | 1.19 | 30.23 | 2.16 | 54.86 | 2.11 | 53.67 | 0.88 | 22.23 | 1.03 | 26.14 |
| | | 03 | 1.47 | 37.29 | 1.03 | 26.09 | 1.29 | 32.77 | 2.44 | 61.98 | 1.19 | 30.23 | 2.52 | 64.01 | 0.96 | 24.31 | 0.13 | 3.18 | 0.31 | 7.92 |
| | | 04 | 1.47 | 37.29 | 1.03 | 26.09 | 1.29 | 32.77 | 2.44 | 61.98 | 1.19 | 30.23 | 2.52 | 64.01 | 1.15 | 29.08 | 0.25 | 6.35 | 0.44 | 11.10 |
| | | 05 | 1.47 | 37.29 | 1.03 | 26.09 | 1.29 | 32.77 | 2.44 | 61.98 | 1.19 | 30.23 | 2.52 | 64.01 | 1.33 | 33.83 | 0.35 | 8.89 | 0.63 | 15.88 |
| | | 06 | 1.47 | 37.29 | 1.16 | 29.36 | 1.29 | 32.77 | 2.44 | 61.98 | 1.19 | 30.23 | 2.52 | 64.01 | 1.77 | 44.96 | 0.63 | 15.88 | 0.94 | 23.80 |
| | | 07 | 1.47 | 37.29 | 1.38 | 34.93 | 2.14 | 54.36 | 2.61 | 66.29 | 2.06 | 52.32 | 2.57 | 65.28 | 2.11 | 53.67 | 0.88 | 22.23 | 1.25 | 31.75 |
| 24 | 24 | 01 | 1.59 | 40.46 | 1.06 | 26.90 | 1.29 | 32.77 | 2.44 | 61.98 | 1.19 | 30.23 | 2.52 | 64.01 | 1.55 | 39.40 | 0.50 | 12.70 | 0.75 | 19.05 |
| | | 02 | 1.59 | 40.46 | 1.38 | 34.93 | 1.29 | 32.77 | 2.09 | 53.09 | 1.19 | 30.23 | 2.16 | 54.86 | 2.11 | 53.67 | 0.88 | 22.23 | 1.14 | 29.06 |
| | | 03 | 1.59 | 40.46 | 1.03 | 26.09 | 1.29 | 32.77 | 2.44 | 61.98 | 1.19 | 30.23 | 2.52 | 64.01 | 1.33 | 33.83 | 0.35 | 8.89 | 0.63 | 15.88 |
| | | 04 | 1.59 | 40.46 | 1.16 | 29.36 | 1.29 | 32.77 | 2.44 | 61.98 | 1.19 | 30.23 | 2.52 | 64.01 | 1.77 | 44.96 | 0.63 | 15.88 | 0.94 | 23.80 |
| | | 05 | 1.59 | 40.46 | 1.38 | 34.93 | 2.15 | 54.61 | 2.61 | 66.29 | 2.06 | 52.32 | 2.57 | 65.28 | 2.12 | 53.75 | 0.88 | 22.23 | 1.25 | 31.75 |
| 28 | 28 | 01 | 1.97 | 50.01 | 1.16 | 29.36 | 1.39 | 35.31 | 2.61 | 66.29 | 1.31 | 33.27 | 2.57 | 65.28 | 1.77 | 44.96 | 0.63 | 15.88 | 0.94 | 23.80 |
| | | 02 | 1.97 | 50.01 | 1.50 | 38.10 | 1.39 | 35.31 | 2.26 | 57.40 | 1.31 | 33.27 | 2.22 | 56.39 | 2.36 | 60.02 | 1.00 | 25.40 | 1.38 | 34.93 |
| | | 03 | 1.97 | 50.01 | 1.06 | 26.90 | 1.39 | 35.31 | 2.61 | 66.29 | 1.31 | 33.27 | 2.57 | 65.28 | 1.55 | 39.40 | 0.50 | 12.70 | 0.75 | 19.05 |
| | | 04 | 1.97 | 50.01 | 1.38 | 34.93 | 1.39 | 35.31 | 2.61 | 66.29 | 1.31 | 33.27 | 2.57 | 65.28 | 2.11 | 53.67 | 0.88 | 22.23 | 1.25 | 31.75 |
| 32 | 32 | 01 | 2.22 | 56.36 | 1.16 | 29.36 | 1.74 | 44.20 | 2.86 | 72.64 | 1.38 | 35.05 | 2.67 | 67.82 | 1.77 | 44.96 | 0.63 | 15.88 | 0.94 | 23.80 |
| | | 02 | 2.22 | 56.36 | 1.38 | 34.93 | 1.74 | 44.20 | 2.86 | 72.64 | 1.38 | 35.05 | 2.67 | 67.82 | 2.11 | 53.67 | 0.88 | 22.23 | 1.25 | 31.75 |
| | | 03 | 2.22 | 56.36 | 1.78 | 45.24 | 1.74 | 44.20 | 2.51 | 63.75 | 1.38 | 35.05 | 2.32 | 58.93 | 2.77 | 70.36 | 1.25 | 31.75 | 1.63 | 41.28 |
| | | 04 | 2.22 | 56.36 | 1.50 | 38.10 | 1.74 | 44.20 | 2.86 | 72.64 | 1.38 | 35.05 | 2.67 | 67.82 | 2.36 | 60.02 | 1.00 | 25.40 | 1.38 | 34.93 |
| 36 | 36 | 01 | 2.47 | 62.71 | 1.16 | 29.36 | 1.94 | 49.28 | 2.83 | 71.88 | 1.41 | 35.81 | 2.76 | 70.10 | 1.77 | 44.96 | 0.63 | 15.88 | 0.94 | 23.80 |
| | | 02 | 2.47 | 62.71 | 1.50 | 38.10 | 1.94 | 49.28 | 2.83 | 71.88 | 1.41 | 35.81 | 2.76 | 70.10 | 2.36 | 60.02 | 1.00 | 25.40 | 1.38 | 34.93 |
| | | 03 | 2.47 | 62.71 | 1.83 | 46.48 | 1.94 | 49.28 | 2.48 | 62.99 | 1.41 | 35.81 | 2.41 | 61.21 | 3.02 | 76.71 | 1.44 | 36.50 | 1.84 | 46.74 |
| | | 04 | 2.47 | 62.71 | 1.06 | 26.90 | 1.94 | 49.28 | 2.83 | 71.88 | 1.41 | 35.81 | 2.76 | 70.10 | 1.55 | 39.40 | 0.50 | 12.70 | 0.75 | 19.05 |
| | | 05 | 2.47 | 62.71 | 1.38 | 34.93 | 1.94 | 49.28 | 2.83 | 71.88 | 1.41 | 35.81 | 2.76 | 70.10 | 2.11 | 53.67 | 0.88 | 22.23 | 1.25 | 31.75 |
| | | 06 | 2.47 | 62.71 | 1.78 | 45.24 | 1.94 | 49.28 | 2.83 | 71.88 | 1.41 | 35.81 | 2.76 | 70.10 | 2.77 | 70.36 | 1.25 | 31.75 | 1.63 | 41.28 |
| 40 | 40 | 01 | 2.72 | 69.06 | 1.16 | 29.36 | 2.69 | 68.33 | 2.83 | 71.88 | 2.16 | 54.86 | 2.76 | 70.10 | 1.77 | 44.96 | 0.63 | 15.88 | 0.94 | 23.80 |
| | | 02 | 2.72 | 69.06 | 1.50 | 38.10 | 2.69 | 68.33 | 2.83 | 71.88 | 2.16 | 54.86 | 2.76 | 70.10 | 2.36 | 60.02 | 1.00 | 25.40 | 1.38 | 34.93 |
| | | 03 | 2.72 | 69.06 | 1.83 | 46.48 | 2.69 | 68.33 | 2.48 | 62.99 | 2.16 | 54.86 | 2.41 | 61.21 | 3.02 | 76.71 | 1.44 | 36.50 | 1.88 | 47.63 |
| | | 04 | 2.72 | 69.06 | 1.06 | 26.90 | 1.94 | 49.28 | 2.83 | 71.88 | 2.16 | 54.86 | 2.76 | 70.10 | 1.55 | 39.40 | 0.50 | 12.70 | 0.75 | 19.05 |
| | | 05 | 2.72 | 69.06 | 1.38 | 34.93 | 2.69 | 68.33 | 2.83 | 71.88 | 2.16 | 54.86 | 2.76 | 70.10 | 2.11 | 53.67 | 0.88 | 22.23 | 1.25 | 31.75 |
| | | 06 | 2.72 | 69.06 | 1.78 | 45.24 | 2.69 | 68.33 | 2.83 | 71.88 | 2.16 | 54.86 | 2.76 | 70.10 | 2.77 | 70.36 | 1.25 | 31.75 | 1.63 | 41.28 |
| 44 | 44 | 01 | 2.97 | 75.41 | 1.16 | 29.36 | 2.69 | 68.33 | 2.83 | 71.88 | 2.16 | 54.86 | 2.76 | 70.10 | 1.77 | 44.96 | 0.63 | 15.88 | 0.94 | 23.80 |
| | | 02 | 2.97 | 75.41 | 1.50 | 38.10 | 2.69 | 68.33 | 2.83 | 71.88 | 2.16 | 54.86 | 2.76 | 70.10 | 2.36 | 60.02 | 1.00 | 25.40 | 1.38 | 34.93 |
| | | 03 | 2.97 | 75.41 | 1.83 | 46.48 | 2.69 | 68.33 | 2.48 | 62.99 | 2.16 | 54.86 | 2.41 | 61.21 | 3.02 | 76.71 | 1.44 | 36.50 | 1.88 | 47.63 |
| | | 04 | 2.97 | 75.41 | 1.38 | 34.93 | 2.69 | 68.33 | 2.83 | 71.88 | 2.16 | 54.86 | 2.76 | 70.10 | 2.11 | 53.67 | 0.88 | 22.23 | 1.25 | 31.75 |
| | | 05 | 2.97 | 75.41 | 1.78 | 45.24 | 2.69 | 68.33 | 2.83 | 71.88 | 2.16 | 54.86 | 2.76 | 70.10 | 2.77 | 70.36 | 1.25 | 31.75 | 1.63 | 41.28 |
| 48 | 48 | 01 | 3.22 | 81.76 | 1.16 | 29.36 | 2.69 | 68.33 | 2.83 | 71.88 | 2.16 | 54.86 | 2.76 | 70.10 | 1.77 | 44.96 | 0.63 | 15.88 | 0.94 | 23.80 |
| | | 02 | 3.22 | 81.76 | 1.50 | 38.10 | 2.69 | 68.33 | 2.83 | 71.88 | 2.16 | 54.86 | 2.76 | 70.10 | 2.36 | 60.02 | 1.00 | 25.40 | 1.38 | 34.93 |
| | | 03 | 3.22 | 81.76 | 1.83 | 46.48 | 2.69 | 68.33 | 2.48 | 62.99 | 2.16 | 54.86 | 2.41 | 61.21 | 3.02 | 76.71 | 1.44 | 36.50 | 1.88 | 47.63 |
| | | 04 | 3.22 | 81.76 | 1.38 | 34.93 | 2.69 | 68.33 | 2.83 | 71.88 | 2.16 | 54.86 | 2.76 | 70.10 | 2.11 | 53.67 | 0.88 | 22.23 | 1.25 | 31.75 |
| | | 05 | 3.22 | 81.76 | 1.78 | 45.24 | 2.69 | 68.33 | 2.83 | 71.88 | 2.16 | 54.86 | 2.76 | 70.10 | 2.77 | 70.36 | 1.25 | 31.75 | 1.63 | 41.28 |



Connector Group - K

Straight



NOTE: * For more cable entry and length options, contact factory

| AMPHENOL PART NUMBER DESIGNATOR | | MIL PART NUMBER DESIGNATOR | | CONNECTOR SHELL SIZE SE - II / I | CABLE RANGE | | | | L (MAX) | | Y (MAX) | | | |
|---------------------------------|------------|----------------------------|----------------------|----------------------------------|-------------|---------|------|-------|---------|-------|---------|-------|------|-------|
| SHELL SIZE | ENTRY SIZE | LENGTH | ACCESSORY SHELL SIZE | | CLAMP SIZE | LENGTH | MIN | | MAX | | INCH | MM | | |
| | | | | | | | INCH | MM | INCH | MM | | | | |
| 08 | 01 | 1 | 08 | 1 | STD. | 8 / 9 | 0.06 | 1.57 | 0.13 | 3.18 | 1.03 | 26.16 | 0.78 | 19.81 |
| | | 2 | | | A | | | | | | 2.03 | 51.56 | | |
| | 02 | 1 | | 2 | STD. | | 0.13 | 3.18 | 0.25 | 6.35 | 1.03 | 26.16 | | |
| | | 2 | | A | 2.03 | | | | | | 51.56 | | | |
| 10 | 01 | 1 | 10 | 1 | STD. | 10 / 11 | 0.06 | 1.57 | 0.13 | 3.18 | 1.03 | 26.16 | 0.78 | 19.81 |
| | | 2 | | | A | | | | | | 2.03 | 51.56 | | |
| | 02 | 1 | | 2 | STD. | | 0.13 | 3.18 | 0.25 | 6.35 | 1.03 | 26.16 | | |
| | | 2 | | A | 2.03 | | | | | | 51.56 | | | |
| | 03 | 1 | | 3 | STD. | | 0.25 | 6.35 | 0.38 | 9.53 | 1.03 | 26.16 | | |
| | | 2 | | A | 2.03 | | | | | | 51.56 | | | |
| 12 | 01 | 1 | 12 | 2 | STD. | 12 / 13 | 0.13 | 3.18 | 0.25 | 6.35 | 1.03 | 26.16 | 0.97 | 24.64 |
| | | 2 | | | A | | | | | | 2.03 | 51.56 | | |
| | 02 | 1 | | 3 | STD. | | 0.25 | 6.35 | 0.38 | 9.53 | 1.03 | 26.16 | | |
| | | 2 | | A | 2.03 | | | | | | 51.56 | | | |
| | 03 | 1 | | 4 | STD. | | 0.31 | 7.92 | 0.50 | 12.70 | 1.03 | 26.16 | | |
| | | 2 | | A | 2.03 | | | | | | 51.56 | | | |
| 14 | 01 | 1 | 14 | 2 | STD. | 14 / 15 | 0.13 | 3.18 | 0.25 | 6.35 | 1.03 | 26.16 | 0.97 | 24.64 |
| | | 2 | | | A | | | | | | 2.03 | 51.56 | | |
| | | 3 | | | B | | | | | | 3.03 | 76.96 | | |
| | 02 | 1 | | 3 | STD. | | 0.25 | 6.35 | 0.38 | 9.53 | 1.03 | 26.16 | | |
| | | 2 | | | A | | | | | | 2.03 | 51.56 | | |
| | | 3 | | | B | | | | | | 3.03 | 76.96 | | |
| | 03 | 1 | | 4 | STD. | | 0.31 | 7.92 | 0.50 | 12.70 | 1.03 | 26.16 | | |
| | | 2 | | | A | | | | | | 2.03 | 51.56 | | |
| | | 3 | | | B | | | | | | 3.03 | 76.96 | | |
| | 04 | 1 | | 5 | STD. | | 0.44 | 11.10 | 0.63 | 15.88 | 1.03 | 26.16 | | |
| | | 2 | | | A | | | | | | 2.03 | 51.56 | | |
| | | 3 | | | B | | | | | | 3.03 | 76.96 | | |

Table Continued

Amphenol Non - Environmental Backshell

Connector Group - K

Straight

| TABLE - A | | | | | | | | | | | | | | | |
|---------------------------------|------------|--------|----------------------------|------------|--------|----------------------------------|-------------|------|-------|------|---------|--------|---------|-------|-------|
| AMPHENOL PART NUMBER DESIGNATOR | | | MIL PART NUMBER DESIGNATOR | | | CONNECTOR SHELL SIZE SE - II / I | CABLE RANGE | | | | L (MAX) | | Y (MAX) | | |
| SHELL SIZE | ENTRY SIZE | LENGTH | ACCESSORY SHELL SIZE | CLAMP SIZE | LENGTH | | MIN | | MAX | | INCH | MM | INCH | MM | |
| | | | | | | | INCH | MM | INCH | MM | | | | | |
| 16 | 01 | 1 | 16 | 2 | STD. | 16 / 17 | 0.13 | 3.18 | 0.25 | 6.35 | 1.03 | 26.16 | 0.97 | 24.64 | |
| | | 2 | | | A | | | | | | 2.03 | 51.56 | | | |
| | | 3 | | | B | | | | | | 3.03 | 76.96 | | | |
| | 02 | 1 | | 3 | STD. | | 3 | 0.25 | 6.35 | 0.38 | 9.53 | 1.03 | 26.16 | 1.06 | 26.92 |
| | | 2 | | | A | | | | | | | 2.03 | 51.56 | | |
| | | 3 | | | B | | | | | | | 3.03 | 76.96 | | |
| | 03 | 1 | | 4 | STD. | | 4 | 0.31 | 7.92 | 0.50 | 12.70 | 1.03 | 26.16 | 1.16 | 29.46 |
| | | 2 | | | A | | | | | | | 2.03 | 51.56 | | |
| | | 3 | | | B | | | | | | | 3.03 | 76.96 | | |
| | 04 | 1 | | 5 | STD. | | 5 | 0.44 | 11.10 | 0.63 | 15.88 | 1.03 | 26.16 | 1.25 | 31.75 |
| | | 2 | | | A | | | | | | | 2.03 | 51.56 | | |
| | | 3 | | | B | | | | | | | 3.03 | 76.96 | | |
| | 05 | 1 | | 6 | STD. | | 6 | 0.56 | 14.27 | 0.75 | 19.05 | 1.03 | 26.16 | 1.38 | 35.05 |
| | | 2 | | | A | | | | | | | 2.03 | 51.56 | | |
| | | 3 | | | B | | | | | | | 3.03 | 76.96 | | |
| 18 | 01 | 1 | 18 | 3 | STD. | 18 / 19 | 0.25 | 6.35 | 0.38 | 9.53 | 1.03 | 26.16 | 1.06 | 26.92 | |
| | | 2 | | | A | | | | | | 2.03 | 51.56 | | | |
| | | 3 | | | B | | | | | | 3.03 | 76.96 | | | |
| | 02 | 1 | | 4 | STD. | | 4 | 0.31 | 7.92 | 0.50 | 12.70 | 1.03 | 26.16 | 1.16 | 29.46 |
| | | 2 | | | A | | | | | | | 2.03 | 51.56 | | |
| | | 3 | | | B | | | | | | | 3.03 | 76.96 | | |
| | 03 | 1 | | 5 | STD. | | 5 | 0.44 | 11.10 | 0.63 | 15.88 | 1.03 | 26.16 | 1.25 | 31.75 |
| | | 2 | | | A | | | | | | | 2.03 | 51.56 | | |
| | | 3 | | | B | | | | | | | 3.03 | 76.96 | | |
| | 04 | 1 | | 6 | STD. | | 6 | 0.56 | 14.27 | 0.75 | 19.05 | 1.03 | 26.16 | 1.38 | 35.05 |
| | | 2 | | | A | | | | | | | 2.03 | 51.56 | | |
| | | 3 | | | B | | | | | | | 3.03 | 76.96 | | |
| | 05 | 1 | | 7 | STD. | | 7 | 0.69 | 17.45 | 0.88 | 22.23 | 1.03 | 26.16 | 1.50 | 38.10 |
| | | 2 | | | A | | | | | | | 2.03 | 51.56 | | |
| | | 3 | | | B | | | | | | | 3.03 | 76.96 | | |
| 20 | 01 | 1 | 20 | 3 | STD. | 20 / 21 | 0.25 | 6.35 | 0.38 | 9.53 | 1.03 | 26.16 | 1.06 | 26.92 | |
| | | 2 | | | A | | | | | | 2.03 | 51.56 | | | |
| | | 3 | | | B | | | | | | 3.03 | 76.96 | | | |
| | | 4 | | | C | | | | | | 4.03 | 102.36 | | | |
| | 02 | 1 | | 4 | STD. | | 4 | 0.31 | 7.92 | 0.50 | 12.70 | 1.03 | 26.16 | 1.16 | 29.46 |
| | | 2 | | | A | | | | | | | 2.03 | 51.56 | | |
| | | 3 | | | B | | | | | | | 3.03 | 76.96 | | |
| | | 4 | | | C | | | | | | | 4.03 | 102.36 | | |
| | 03 | 1 | | 5 | STD. | | 5 | 0.44 | 11.10 | 0.63 | 15.88 | 1.03 | 26.16 | 1.25 | 31.75 |
| | | 2 | | | A | | | | | | | 2.03 | 51.56 | | |
| | | 3 | | | B | | | | | | | 3.03 | 76.96 | | |
| | | 4 | | | C | | | | | | | 4.03 | 102.36 | | |
| | 04 | 1 | | 6 | STD. | | 6 | 0.56 | 14.27 | 0.75 | 19.05 | 1.03 | 26.16 | 1.38 | 35.05 |
| | | 2 | | | A | | | | | | | 2.03 | 51.56 | | |
| | | 3 | | | B | | | | | | | 3.03 | 76.96 | | |
| | | 4 | | | C | | | | | | | 4.03 | 102.36 | | |
| | 05 | 1 | | 7 | STD. | | 7 | 0.69 | 17.45 | 0.88 | 22.23 | 1.03 | 26.16 | 1.50 | 38.10 |
| | | 2 | | | A | | | | | | | 2.03 | 51.56 | | |
| | | 3 | | | B | | | | | | | 3.03 | 76.96 | | |
| | | 4 | | | C | | | | | | | 4.03 | 102.36 | | |
| | 06 | 1 | | 8 | STD. | | 8 | 0.81 | 20.62 | 1.00 | 25.40 | 1.03 | 26.16 | 1.63 | 41.40 |
| | | 2 | | | A | | | | | | | 2.03 | 51.56 | | |
| | | 3 | | | B | | | | | | | 3.03 | 76.96 | | |
| | | 4 | | | C | | | | | | | 4.03 | 102.36 | | |

Table Continued



Connector Group - K

Straight

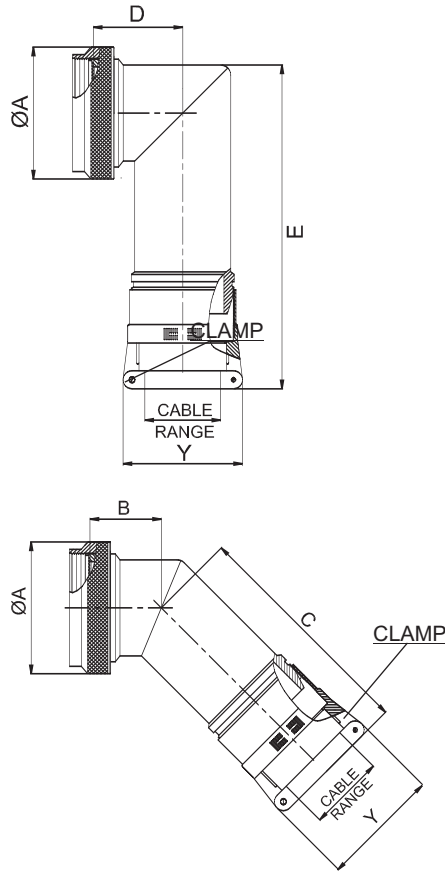
| TABLE - A | | | | | | | | | | | | | | | | |
|---------------------------------|------------|--------|----------------------------|------------|--------|----------------------------------|-------------|------|-------|-------|---------|--------|---------|--------|------|-------|
| AMPHENOL PART NUMBER DESIGNATOR | | | MIL PART NUMBER DESIGNATOR | | | CONNECTOR SHELL SIZE SE - II / I | CABLE RANGE | | | | L (MAX) | | Y (MAX) | | | |
| SHELL SIZE | ENTRY SIZE | LENGTH | ACCESSORY SHELL SIZE | CLAMP SIZE | LENGTH | | MIN | | MAX | | INCH | MM | INCH | MM | | |
| | | | | | | | INCH | MM | INCH | MM | | | | | | |
| 22 | 01 | 1 | 22 | 3 | STD. | 22 / 23 | 0.25 | 6.35 | 0.38 | 9.53 | 1.03 | 26.16 | 1.06 | 26.92 | | |
| | | 2 | | | A | | | | | | 2.03 | 51.56 | | | | |
| | | 3 | | | B | | | | | | 3.03 | 76.96 | | | | |
| | | 4 | | | C | | | | | | 4.03 | 102.36 | | | | |
| | 02 | 1 | | 4 | STD. | | 4 | 4 | 0.31 | 7.92 | 0.50 | 12.70 | 1.03 | 26.16 | 1.16 | 29.46 |
| | | 2 | | | A | | | | | | | | 2.03 | 51.56 | | |
| | | 3 | | | B | | | | | | | | 3.03 | 76.96 | | |
| | | 4 | | | C | | | | | | | | 4.03 | 102.36 | | |
| | 03 | 1 | | 5 | STD. | | 5 | 5 | 0.44 | 11.10 | 0.63 | 15.88 | 1.03 | 26.16 | 1.25 | 31.75 |
| | | 2 | | | A | | | | | | | | 2.03 | 51.56 | | |
| | | 3 | | | B | | | | | | | | 3.03 | 76.96 | | |
| | | 4 | | | C | | | | | | | | 4.03 | 102.36 | | |
| | 04 | 1 | | 6 | STD. | | 6 | 6 | 0.56 | 14.27 | 0.75 | 19.05 | 1.03 | 26.16 | 1.38 | 35.05 |
| | | 2 | | | A | | | | | | | | 2.03 | 51.56 | | |
| | | 3 | | | B | | | | | | | | 3.03 | 76.96 | | |
| | | 4 | | | C | | | | | | | | 4.03 | 102.36 | | |
| | 05 | 1 | | 7 | STD. | | 7 | 7 | 0.69 | 17.45 | 0.88 | 22.23 | 1.03 | 26.16 | 1.50 | 38.10 |
| | | 2 | | | A | | | | | | | | 2.03 | 51.56 | | |
| | | 3 | | | B | | | | | | | | 3.03 | 76.96 | | |
| | | 4 | | | C | | | | | | | | 4.03 | 102.36 | | |
| | 06 | 1 | | 8 | STD. | | 8 | 8 | 0.81 | 20.62 | 1.00 | 25.40 | 1.03 | 26.16 | 1.63 | 41.40 |
| | | 2 | | | A | | | | | | | | 2.03 | 51.56 | | |
| | | 3 | | | B | | | | | | | | 3.03 | 76.96 | | |
| | | 4 | | | C | | | | | | | | 4.03 | 102.36 | | |
| 07 | 1 | 9 | STD. | 9 | 9 | 0.94 | 23.80 | 1.13 | 28.58 | 1.03 | 26.16 | 1.75 | 44.45 | | | |
| | 2 | | A | | | | | | | 2.03 | 51.56 | | | | | |
| | 3 | | B | | | | | | | 3.03 | 76.96 | | | | | |
| | 4 | | C | | | | | | | 4.03 | 102.36 | | | | | |
| 24 | 01 | 1 | 24 | 4 | STD. | 24 / 25 | 0.31 | 7.92 | 0.50 | 12.70 | 1.03 | 26.16 | 1.16 | 29.46 | | |
| | | 2 | | | A | | | | | | 2.03 | 51.56 | | | | |
| | | 3 | | | B | | | | | | 3.03 | 76.96 | | | | |
| | | 4 | | | C | | | | | | 4.03 | 102.36 | | | | |
| | 02 | 1 | | 5 | STD. | | 5 | 5 | 0.44 | 11.10 | 0.63 | 15.88 | 1.03 | 26.16 | 1.25 | 31.75 |
| | | 2 | | | A | | | | | | | | 2.03 | 51.56 | | |
| | | 3 | | | B | | | | | | | | 3.03 | 76.96 | | |
| | | 4 | | | C | | | | | | | | 4.03 | 102.36 | | |
| | 03 | 1 | | 6 | STD. | | 6 | 6 | 0.56 | 14.27 | 0.75 | 19.05 | 1.03 | 26.16 | 1.38 | 35.05 |
| | | 2 | | | A | | | | | | | | 2.03 | 51.56 | | |
| | | 3 | | | B | | | | | | | | 3.03 | 76.96 | | |
| | | 4 | | | C | | | | | | | | 4.03 | 102.36 | | |
| | 04 | 1 | | 7 | STD. | | 7 | 7 | 0.69 | 17.45 | 0.88 | 22.23 | 1.03 | 26.16 | 1.50 | 38.10 |
| | | 2 | | | A | | | | | | | | 2.03 | 51.56 | | |
| | | 3 | | | B | | | | | | | | 3.03 | 76.96 | | |
| | | 4 | | | C | | | | | | | | 4.03 | 102.36 | | |
| | 05 | 1 | | 8 | STD. | | 8 | 8 | 0.81 | 20.62 | 1.00 | 25.40 | 1.03 | 26.16 | 1.63 | 41.40 |
| | | 2 | | | A | | | | | | | | 2.03 | 51.56 | | |
| | | 3 | | | B | | | | | | | | 3.03 | 76.96 | | |
| | | 4 | | | C | | | | | | | | 4.03 | 102.36 | | |
| | 06 | 1 | | 9 | STD. | | 9 | 9 | 0.94 | 23.80 | 1.13 | 28.58 | 1.03 | 26.16 | 1.75 | 44.45 |
| | | 2 | | | A | | | | | | | | 2.03 | 51.56 | | |
| | | 3 | | | B | | | | | | | | 3.03 | 76.96 | | |
| | | 4 | | | C | | | | | | | | 4.03 | 102.36 | | |
| | 07 | 1 | | 10 | STD. | | 10 | 10 | 1.06 | 26.97 | 1.25 | 31.75 | 1.03 | 26.16 | 1.88 | 47.75 |
| | | 2 | | | A | | | | | | | | 2.03 | 51.56 | | |
| | | 3 | | | B | | | | | | | | 3.03 | 76.96 | | |
| | | 4 | | | C | | | | | | | | 4.03 | 102.36 | | |



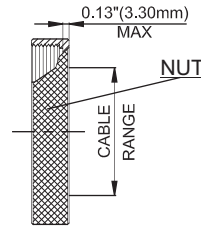
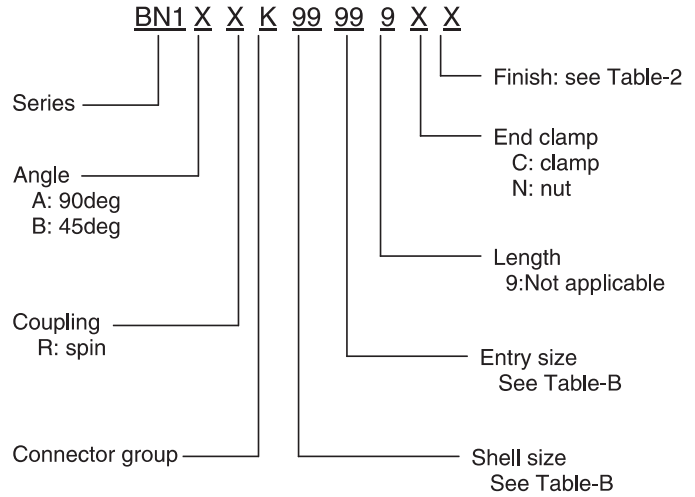
Amphenol Non - Environmental Backshell

Connector Group - K

90°, 45°



Amphenol Part Number



NOTE: * For more cable entry options, contact factory

TABLE - B

| AMPHENOL PART NUMBER DESIGNATOR | | CONNECTOR SHELL SIZE SE - III/I | CABLE RANGE | | | | A DIA. (MAX) | | B (MAX) | | C (MAX) | | D (MAX) | | E (MAX) | | Y (MAX) | |
|---------------------------------|------------|---------------------------------|-------------|-------|------|-------|--------------|-------|---------|-------|---------|-------|---------|-------|---------|-------|---------|-------|
| SHELL SIZE | ENTRY SIZE | | MIN | | MAX | | INCH | MM | INCH | MM | INCH | MM | INCH | MM | INCH | MM | INCH | MM |
| | | | INCH | MM | INCH | MM | | | | | | | | | | | | |
| 08 | 01 | 8 / 9 | 0.06 | 1.57 | 0.13 | 3.18 | 0.75 | 19.05 | 0.46 | 11.68 | 3.15 | 80.01 | 0.69 | 17.53 | 3.46 | 87.88 | 0.78 | 19.81 |
| | 02 | | 0.13 | 3.18 | 0.25 | 6.35 | | | | | | | | | | | 0.97 | 24.64 |
| 10 | 01 | 10 / 11 | 0.06 | 1.57 | 0.13 | 3.18 | 0.85 | 21.59 | 0.52 | 13.21 | 3.21 | 81.53 | 0.78 | 19.81 | 3.58 | 90.93 | 0.78 | 19.81 |
| | 02 | | 0.13 | 3.18 | 0.25 | 6.35 | | | | | | | | | | | 0.97 | 24.64 |
| | 03 | | 0.25 | 6.35 | 0.38 | 9.53 | | | | | | | | | | | 1.06 | 26.92 |
| 12 | 01 | 12 / 13 | 0.13 | 3.18 | 0.25 | 6.35 | 1.00 | 25.40 | 0.58 | 14.73 | 3.27 | 83.06 | 0.80 | 20.32 | 3.60 | 91.44 | 0.97 | 24.64 |
| | 02 | | 0.25 | 6.35 | 0.38 | 9.53 | | | | | | | | | | | 1.06 | 26.92 |
| | 03 | | 0.31 | 7.92 | 0.50 | 12.70 | | | | | | | | | | | 1.16 | 29.46 |
| 14 | 01 | 14 / 15 | 0.13 | 3.18 | 0.25 | 6.35 | 1.15 | 29.21 | 0.65 | 16.51 | 3.36 | 85.34 | 0.88 | 22.35 | 3.67 | 93.22 | 0.97 | 24.64 |
| | 02 | | 0.25 | 6.35 | 0.38 | 9.53 | | | | | | | | | | | 1.06 | 26.92 |
| | 03 | | 0.31 | 7.92 | 0.50 | 12.70 | | | | | | | | | | | 1.16 | 29.46 |
| | 04 | | 0.44 | 11.10 | 0.63 | 15.88 | | | | | | | | | | | 1.25 | 31.75 |

Table Continued



Connector Group - K

90°, 45°

TABLE - B

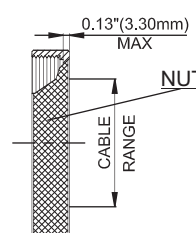
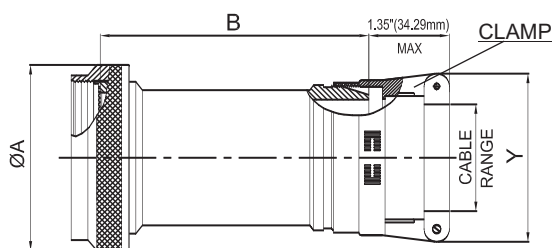
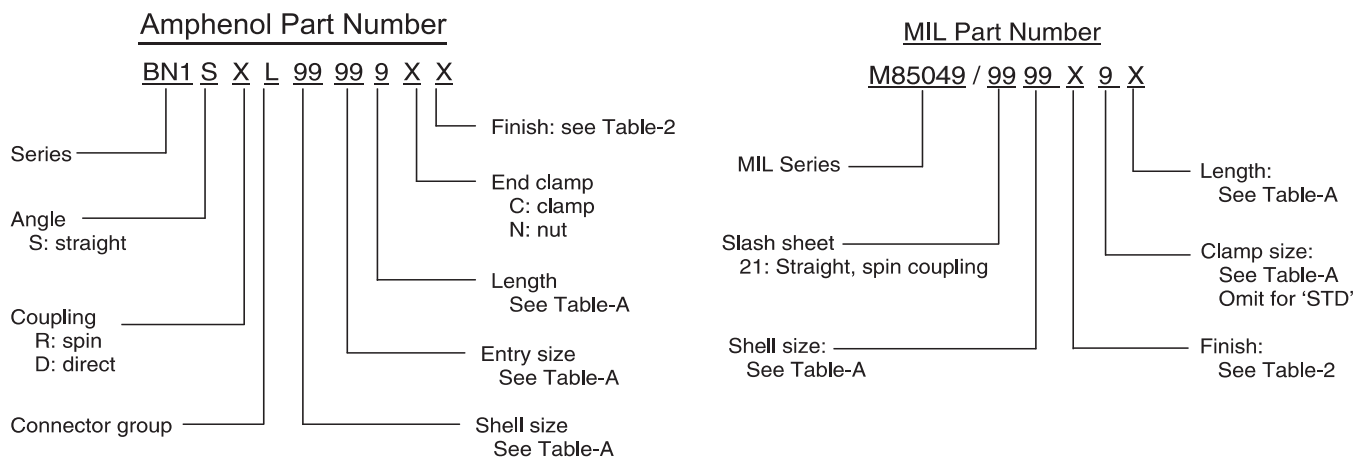
| AMPHENOL PART NUMBER DESIGNATOR | | CONNECTOR SHELL SIZE | CABLE RANGE | | | | A DIA. (MAX) | | B (MAX) | | C (MAX) | | D (MAX) | | E (MAX) | | Y (MAX) | |
|---------------------------------|------------|----------------------|-------------|-------|------|-------|--------------|-------|---------|-------|---------|-------|---------|-------|---------|--------|---------|-------|
| SHELL SIZE | ENTRY SIZE | | MIN | | MAX | | INCH | MM | INCH | MM | INCH | MM | INCH | MM | INCH | MM | INCH | MM |
| | | | INCH | MM | INCH | MM | | | | | | | | | | | | |
| 16 | 01 | 16 / 17 | 0.13 | 3.18 | 0.25 | 6.35 | 1.25 | 31.75 | 0.74 | 18.80 | 3.47 | 88.14 | 0.93 | 23.62 | 3.76 | 95.50 | 0.97 | 24.64 |
| | 02 | | 0.25 | 6.35 | 0.38 | 9.53 | | | | | | | | | | | 1.06 | 26.92 |
| | 03 | | 0.31 | 7.92 | 0.50 | 12.70 | | | | | | | | | | | 1.16 | 29.46 |
| | 04 | | 0.44 | 11.10 | 0.63 | 15.88 | | | | | | | | | | | 1.25 | 31.75 |
| | 05 | | 0.56 | 14.27 | 0.75 | 19.05 | | | | | | | | | | | 1.38 | 35.05 |
| 18 | 01 | 18 / 19 | 0.25 | 6.35 | 0.38 | 9.53 | 1.40 | 35.56 | 0.93 | 23.62 | 3.66 | 92.96 | 1.01 | 25.65 | 3.93 | 99.82 | 1.06 | 26.92 |
| | 02 | | 0.31 | 7.92 | 0.50 | 12.70 | | | | | | | | | | | 1.16 | 29.46 |
| | 03 | | 0.44 | 11.10 | 0.63 | 15.88 | | | | | | | | | | | 1.25 | 31.75 |
| | 04 | | 0.56 | 14.27 | 0.75 | 19.05 | | | | | | | | | | | 1.38 | 35.05 |
| | 05 | | 0.69 | 17.45 | 0.88 | 22.23 | | | | | | | | | | | 1.50 | 38.10 |
| 20 | 01 | 20 / 21 | 0.25 | 6.35 | 0.38 | 9.53 | 1.55 | 39.37 | 0.93 | 23.62 | 3.66 | 92.96 | 1.06 | 26.92 | 3.93 | 99.82 | 1.06 | 26.92 |
| | 02 | | 0.31 | 7.92 | 0.50 | 12.70 | | | | | | | | | | | 1.16 | 29.46 |
| | 03 | | 0.44 | 11.10 | 0.63 | 15.88 | | | | | | | | | | | 1.25 | 31.75 |
| | 04 | | 0.56 | 14.27 | 0.75 | 19.05 | | | | | | | | | | | 1.38 | 35.05 |
| | 05 | | 0.69 | 17.45 | 0.88 | 22.23 | | | | | | | | | | | 1.50 | 38.10 |
| | 06 | | 0.81 | 20.62 | 1.00 | 25.40 | | | | | | | | | | | 1.63 | 41.40 |
| 22 | 01 | 22 / 23 | 0.25 | 6.35 | 0.38 | 9.53 | 1.65 | 41.91 | 1.02 | 25.91 | 3.81 | 96.77 | 1.17 | 29.72 | 4.04 | 102.62 | 1.06 | 26.92 |
| | 02 | | 0.31 | 7.92 | 0.50 | 12.70 | | | | | | | | | | | 1.16 | 29.46 |
| | 03 | | 0.44 | 11.10 | 0.63 | 15.88 | | | | | | | | | | | 1.25 | 31.75 |
| | 04 | | 0.56 | 14.27 | 0.75 | 19.05 | | | | | | | | | | | 1.38 | 35.05 |
| | 05 | | 0.69 | 17.45 | 0.88 | 22.23 | | | | | | | | | | | 1.50 | 38.10 |
| | 06 | | 0.81 | 20.62 | 1.00 | 25.40 | | | | | | | | | | | 1.63 | 41.40 |
| | 07 | | 0.94 | 23.80 | 1.13 | 28.58 | | | | | | | | | | | 1.75 | 44.45 |
| 24 | 01 | 24 / 25 | 0.31 | 7.92 | 0.50 | 12.70 | 1.85 | 46.99 | 1.02 | 25.91 | 3.81 | 96.77 | 1.18 | 29.97 | 4.04 | 102.62 | 1.16 | 29.46 |
| | 02 | | 0.44 | 11.10 | 0.63 | 15.88 | | | | | | | | | | | 1.25 | 31.75 |
| | 03 | | 0.56 | 14.27 | 0.75 | 19.05 | | | | | | | | | | | 1.38 | 35.05 |
| | 04 | | 0.69 | 17.45 | 0.88 | 22.23 | | | | | | | | | | | 1.50 | 38.10 |
| | 05 | | 0.81 | 20.62 | 1.00 | 25.40 | | | | | | | | | | | 1.63 | 41.40 |
| | 06 | | 0.94 | 23.80 | 1.13 | 28.58 | | | | | | | | | | | 1.75 | 44.45 |
| | 07 | | 1.06 | 26.97 | 1.25 | 31.75 | | | | | | | | | | | 1.88 | 47.75 |



Amphenol Non - Environmental Backshell

Connector Group - L

Straight



NOTE: * For more cable entry and length options, contact factory

| TABLE - A | | | | | | | | | | | | | | | | | | | |
|---------------------------------|------------|--------|----------------------------|------------|--------|----------------------------------|-------------|-------|------|-------|--------------|-------|---------|-------|---------|-------|-------|-------|-------|
| AMPHENOL PART NUMBER DESIGNATOR | | | MIL PART NUMBER DESIGNATOR | | | CONNECTOR SHELL SIZE/CODE (REF.) | CABLE RANGE | | | | A DIA. (MAX) | | B (MAX) | | Y (MAX) | | | | |
| SHELL SIZE | ENTRY SIZE | LENGTH | CONNECTOR SHELL SIZE | CLAMP SIZE | LENGTH | | MIN | | MAX | | INCH | MM | INCH | MM | INCH | MM | | | |
| | | | | | | | INCH | MM | INCH | MM | | | | | | | | | |
| 08 | 01 | 1 | 09 | 1 | STD. | 09 / A | 0.06 | 1.57 | 0.13 | 3.18 | 0.75 | 19.05 | 1.53 | 38.86 | 0.80 | 20.32 | | | |
| | | A | | | 2.53 | | | | | | | | 64.26 | | | | | | |
| | 02 | 1 | | 2 | STD. | | 0.13 | 3.18 | 0.25 | 6.35 | | | 1.53 | 38.86 | 1.00 | 25.40 | | | |
| | | A | | | 2.53 | | | | | | | | 64.26 | | | | | | |
| 10 | 01 | 1 | 11 | 1 | STD. | 11 / B | 0.06 | 1.57 | 0.13 | 3.18 | 0.85 | 21.59 | 1.53 | 38.86 | 0.80 | 20.32 | | | |
| | | A | | | 2.53 | | | | | | | | 64.26 | | | | | | |
| | 02 | 1 | | 2 | STD. | | 0.13 | 3.18 | 0.25 | 6.35 | | | 1.53 | 38.86 | | | 1.00 | 25.40 | |
| | | A | | | 2.53 | | | | | | | | 64.26 | | | | | | |
| | | 03 | | 1 | 3 | | STD. | 0.25 | 6.35 | 0.38 | | | 9.53 | 1.53 | | | 38.86 | 1.10 | 27.94 |
| | | | | A | | | 2.53 | | | | | | | 64.26 | | | | | |
| 12 | 01 | 1 | 13 | 2 | STD. | 13 / C | 0.13 | 3.18 | 0.25 | 6.35 | 1.00 | 25.40 | 1.53 | 38.86 | 1.00 | 25.40 | | | |
| | | A | | | 2.53 | | | | | | | | 64.26 | | | | | | |
| | 02 | 1 | | 3 | STD. | | 0.25 | 6.35 | 0.38 | 9.53 | | | 1.53 | 38.86 | | | 1.10 | 27.94 | |
| | | A | | | 2.53 | | | | | | | | 64.26 | | | | | | |
| | | 03 | | 1 | 4 | | STD. | 0.31 | 7.92 | 0.50 | | | 12.70 | 1.53 | | | 38.86 | 1.20 | 30.48 |
| | | | | A | | | 2.53 | | | | | | | 64.26 | | | | | |
| 14 | 01 | 1 | 15 | 2 | STD. | 15 / D | 0.13 | 3.18 | 0.25 | 6.35 | 1.10 | 27.94 | 1.53 | 38.86 | 1.00 | 25.40 | | | |
| | | A | | | 2.53 | | | | | | | | 64.26 | | | | | | |
| | | B | | | 3.53 | | | | | | | | 89.66 | | | | | | |
| | 02 | 1 | | 3 | STD. | | 0.25 | 6.35 | 0.38 | 9.53 | | | 1.53 | 38.86 | | | 1.10 | 27.94 | |
| | | A | | | 2.53 | | | | | | | | 64.26 | | | | | | |
| | | B | | | 3.53 | | | | | | | | 89.66 | | | | | | |
| | 03 | 1 | | 4 | STD. | | 0.31 | 7.92 | 0.50 | 12.70 | | | 1.53 | 38.86 | | | 1.20 | 30.48 | |
| | | A | | | 2.53 | | | | | | | | 64.26 | | | | | | |
| | | B | | | 3.53 | | | | | | | | 89.66 | | | | | | |
| | 04 | 1 | | 5 | STD. | | 0.44 | 11.10 | 0.63 | 15.88 | | | 1.53 | 38.86 | | | 1.25 | 31.75 | |
| | | A | | | 2.53 | | | | | | | | 64.26 | | | | | | |
| | | B | | | 3.53 | | | | | | | | 89.66 | | | | | | |

Table Continued

Connector Group - L

Straight

| TABLE - A | | | | | | | | | | | | | | | | | |
|---------------------------------|------------|--------|----------------------------|------------|--------|----------------------------------|-------------|-------|--------|-------|--------------|-------|---------|--------|---------|-------|-------|
| AMPHENOL PART NUMBER DESIGNATOR | | | MIL PART NUMBER DESIGNATOR | | | CONNECTOR SHELL SIZE/CODE (REF.) | CABLE RANGE | | | | A DIA. (MAX) | | B (MAX) | | Y (MAX) | | |
| SHELL SIZE | ENTRY SIZE | LENGTH | CONNECTOR SHELL SIZE | CLAMP SIZE | LENGTH | | MIN | | MAX | | INCH | MM | INCH | MM | INCH | MM | |
| | | | | | | | INCH | MM | INCH | MM | | | | | | | |
| 16 | 01 | 1 | 17 | 2 | STD. | 17 / E | 0.13 | 3.18 | 0.25 | 6.35 | 1.25 | 31.75 | 1.53 | 38.86 | 1.00 | 25.40 | |
| | | 2 | | | A | | | | | | | | 2.53 | 64.26 | | | |
| | | 3 | | | B | | | | | | | | 3.53 | 89.66 | | | |
| | 02 | 1 | | STD. | 3 | | STD. | 0.25 | 6.35 | 0.38 | | | 9.53 | 1.53 | 38.86 | 1.10 | 27.94 |
| | | 2 | | A | | | 2.53 | | | | | | | 64.26 | | | |
| | | 3 | | B | | | 3.53 | | | | | | | 89.66 | | | |
| | 03 | 1 | | STD. | 4 | | STD. | 0.31 | 7.92 | 0.50 | | | 12.70 | 1.53 | 38.86 | 1.20 | 30.48 |
| | | 2 | | A | | | 2.53 | | | | | | | 64.26 | | | |
| | | 3 | | B | | | 3.53 | | | | | | | 89.66 | | | |
| | 04 | 1 | | STD. | 5 | | STD. | 0.44 | 11.10 | 0.63 | | | 15.88 | 1.53 | 38.86 | 1.25 | 31.75 |
| | | 2 | | A | | | 2.53 | | | | | | | 64.26 | | | |
| | | 3 | | B | | | 3.53 | | | | | | | 89.66 | | | |
| | 05 | 1 | | STD. | 6 | | STD. | 0.56 | 14.27 | 0.75 | | | 19.05 | 1.53 | 38.86 | 1.40 | 35.56 |
| | | 2 | | A | | | 2.53 | | | | | | | 64.26 | | | |
| | | 3 | | B | | | 3.53 | | | | | | | 89.66 | | | |
| 18 | 01 | 1 | 19 | 3 | STD. | 19 / F | 0.25 | 6.35 | 0.38 | 9.53 | 1.40 | 35.56 | 1.53 | 38.86 | 1.10 | 27.94 | |
| | | 2 | | | A | | | | | | | | 2.53 | 64.26 | | | |
| | | 3 | | | B | | | | | | | | 3.53 | 89.66 | | | |
| | 02 | 1 | | STD. | 4 | | STD. | 0.31 | 7.92 | 0.50 | | | 12.70 | 1.53 | 38.86 | 1.20 | 30.48 |
| | | 2 | | A | | | 2.53 | | | | | | | 64.26 | | | |
| | | 3 | | B | | | 3.53 | | | | | | | 89.66 | | | |
| | 03 | 1 | | STD. | 5 | | STD. | 0.44 | 11.10 | 0.63 | | | 15.88 | 1.53 | 38.86 | 1.25 | 31.75 |
| | | 2 | | A | | | 2.53 | | | | | | | 64.26 | | | |
| | | 3 | | B | | | 3.53 | | | | | | | 89.66 | | | |
| | 04 | 1 | | STD. | 6 | | STD. | 0.56 | 14.27 | 0.75 | | | 19.05 | 1.53 | 38.86 | 1.40 | 35.56 |
| | | 2 | | A | | | 2.53 | | | | | | | 64.26 | | | |
| | | 3 | | B | | | 3.53 | | | | | | | 89.66 | | | |
| | 05 | 1 | | STD. | 7 | | STD. | 0.69 | 17.45 | 0.88 | | | 22.23 | 1.53 | 38.86 | 1.50 | 38.10 |
| | | 2 | | A | | | 2.53 | | | | | | | 64.26 | | | |
| | | 3 | | B | | | 3.53 | | | | | | | 89.66 | | | |
| 20 | 01 | 1 | 21 | 3 | STD. | 21 / G | 0.25 | 6.35 | 0.38 | 9.53 | 1.50 | 38.10 | 1.53 | 38.86 | 1.10 | 27.94 | |
| | | 2 | | | A | | | | | | | | 2.53 | 64.26 | | | |
| | | 3 | | | B | | | | | | | | 3.53 | 89.66 | | | |
| | | 4 | | | C | | | | | | | | 4.53 | 115.06 | | | |
| | 02 | 1 | | STD. | 4 | | STD. | 0.31 | 7.92 | 0.50 | | | 12.70 | 1.53 | 38.86 | 1.20 | 30.48 |
| | | 2 | | A | | | 2.53 | | | | | | | 64.26 | | | |
| | | 3 | | B | | | 3.53 | | | | | | | 89.66 | | | |
| | | 4 | | C | | | 4.53 | | | | | | | 115.06 | | | |
| | 03 | 1 | | STD. | 5 | | STD. | 0.44 | 11.10 | 0.63 | | | 15.88 | 1.53 | 38.86 | 1.25 | 31.75 |
| | | 2 | | A | | | 2.53 | | | | | | | 64.26 | | | |
| | | 3 | | B | | | 3.53 | | | | | | | 89.66 | | | |
| | | 4 | | C | | | 4.53 | | | | | | | 115.06 | | | |
| | 04 | 1 | | STD. | 6 | | STD. | 0.56 | 14.27 | 0.75 | | | 19.05 | 1.53 | 38.86 | 1.40 | 35.56 |
| | | 2 | | A | | | 2.53 | | | | | | | 64.26 | | | |
| | | 3 | | B | | | 3.53 | | | | | | | 89.66 | | | |
| | | 4 | | C | | | 4.53 | | | | | | | 115.06 | | | |
| | 05 | 1 | | STD. | 7 | | STD. | 0.69 | 17.45 | 0.88 | | | 22.23 | 1.53 | 38.86 | 1.50 | 38.10 |
| | | 2 | | A | | | 2.53 | | | | | | | 64.26 | | | |
| 3 | | B | 3.53 | 89.66 | | | | | | | | | | | | | |
| 4 | | C | 4.53 | 115.06 | | | | | | | | | | | | | |
| 06 | 1 | STD. | 8 | STD. | 0.81 | 20.62 | 1.00 | 25.40 | 1.53 | 38.86 | 1.65 | 41.91 | | | | | |
| | 2 | A | | 2.53 | | | | | 64.26 | | | | | | | | |
| | 3 | B | | 3.53 | | | | | 89.66 | | | | | | | | |
| | 4 | C | | 4.53 | | | | | 115.06 | | | | | | | | |

Table Continued



Amphenol Non - Environmental Backshell

Connector Group - L

Straight

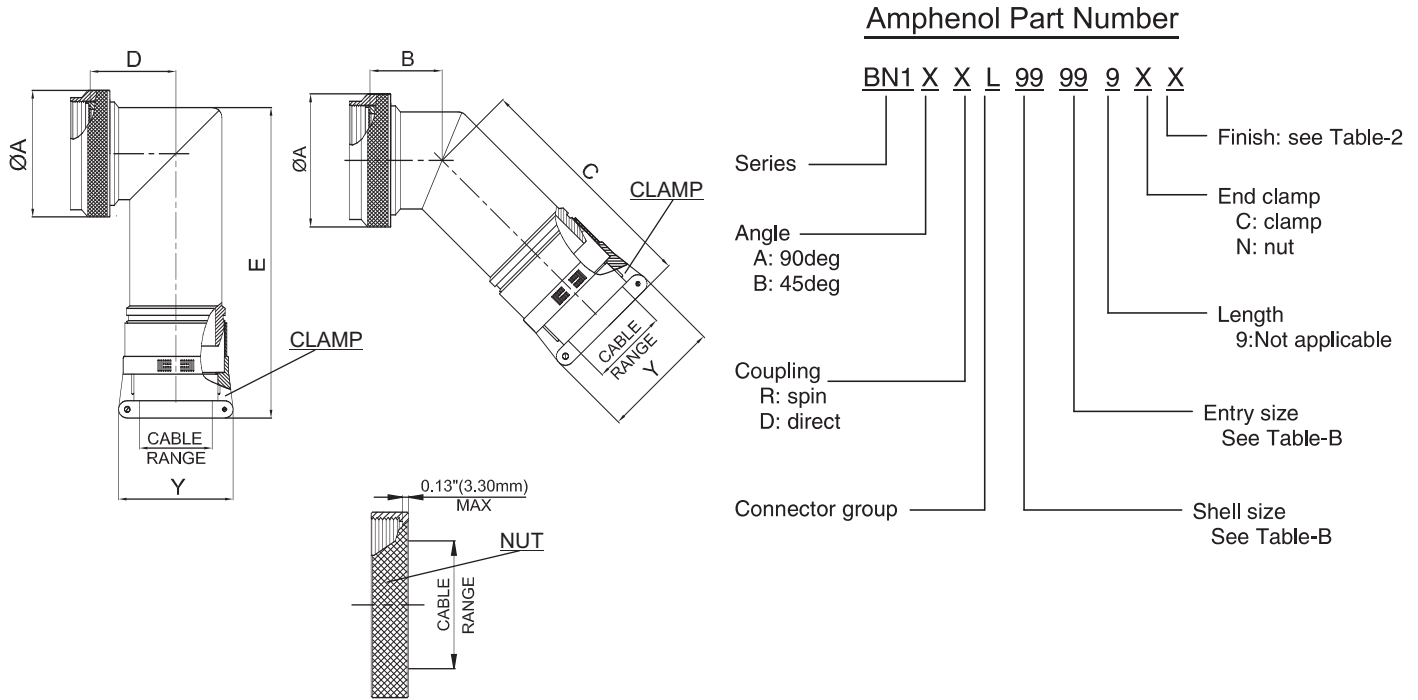
TABLE - A

| AMPHENOL PART NUMBER DESIGNATOR | | | MIL PART NUMBER DESIGNATOR | | | CONNECTOR SHELL SIZE/CODE (REF.) | CABLE RANGE | | | | A DIA. (MAX) | | B (MAX) | | Y (MAX) | | |
|---------------------------------|------------|--------|----------------------------|------------|--------|----------------------------------|-------------|------|-------|-------|--------------|-------|---------|--------|---------|-------|-------|
| SHELL SIZE | ENTRY SIZE | LENGTH | CONNECTOR SHELL SIZE | CLAMP SIZE | LENGTH | | MIN | | MAX | | INCH | MM | INCH | MM | INCH | MM | |
| | | | | | | | INCH | MM | INCH | MM | | | | | | | |
| 22 | 01 | 1 | 23 | 3 | STD. | 23 / H | 0.25 | 6.35 | 0.38 | 9.53 | 1.65 | 41.91 | 1.53 | 38.86 | 1.10 | 27.94 | |
| | | 2 | | | A | | | | | | | | 2.53 | 64.26 | | | |
| | | 3 | | | B | | | | | | | | 3.53 | 89.66 | | | |
| | | 4 | | | C | | | | | | | | 4.53 | 115.06 | | | |
| | 02 | 1 | | STD. | 4 | | STD. | 0.31 | 7.92 | 0.50 | | | 12.70 | 1.53 | 38.86 | 1.20 | 30.48 |
| | | 2 | | A | | | 2.53 | | | | | | | 64.26 | | | |
| | | 3 | | B | | | 3.53 | | | | | | | 89.66 | | | |
| | | 4 | | C | | | 4.53 | | | | | | | 115.06 | | | |
| | 03 | 1 | | STD. | 5 | | STD. | 0.44 | 11.10 | 0.63 | | | 15.88 | 1.53 | 38.86 | 1.25 | 31.75 |
| | | 2 | | A | | | 2.53 | | | | | | | 64.26 | | | |
| | | 3 | | B | | | 3.53 | | | | | | | 89.66 | | | |
| | | 4 | | C | | | 4.53 | | | | | | | 115.06 | | | |
| | 04 | 1 | | STD. | 6 | | STD. | 0.56 | 14.27 | 0.75 | | | 19.05 | 1.53 | 38.86 | 1.40 | 35.56 |
| | | 2 | | A | | | 2.53 | | | | | | | 64.26 | | | |
| | | 3 | | B | | | 3.53 | | | | | | | 89.66 | | | |
| | | 4 | | C | | | 4.53 | | | | | | | 115.06 | | | |
| | 05 | 1 | | STD. | 7 | | STD. | 0.69 | 17.45 | 0.88 | | | 22.23 | 1.53 | 38.86 | 1.50 | 38.10 |
| | | 2 | | A | | | 2.53 | | | | | | | 64.26 | | | |
| | | 3 | | B | | | 3.53 | | | | | | | 89.66 | | | |
| | | 4 | | C | | | 4.53 | | | | | | | 115.06 | | | |
| | 06 | 1 | | STD. | 8 | | STD. | 0.81 | 20.62 | 1.00 | | | 25.40 | 1.53 | 38.86 | 1.65 | 41.91 |
| | | 2 | | A | | | 2.53 | | | | | | | 64.26 | | | |
| | | 3 | | B | | | 3.53 | | | | | | | 89.66 | | | |
| | | 4 | | C | | | 4.53 | | | | | | | 115.06 | | | |
| | 07 | 1 | | STD. | 9 | | STD. | 0.94 | 23.80 | 1.13 | | | 28.58 | 1.53 | 38.86 | 1.75 | 44.45 |
| | | 2 | | A | | | 2.53 | | | | | | | 64.26 | | | |
| | | 3 | | B | | | 3.53 | | | | | | | 89.66 | | | |
| | | 4 | | C | | | 4.53 | | | | | | | 115.06 | | | |
| 24 | 01 | 1 | 25 | 4 | STD. | 25 / J | 0.31 | 7.92 | 0.50 | 12.70 | 1.75 | 44.45 | 1.53 | 38.86 | 1.20 | 30.48 | |
| | | 2 | | | A | | | | | | | | 2.53 | 64.26 | | | |
| | | 3 | | | B | | | | | | | | 3.53 | 89.66 | | | |
| | | 4 | | | C | | | | | | | | 4.53 | 115.06 | | | |
| | 02 | 1 | | STD. | 5 | | STD. | 0.44 | 11.10 | 0.63 | | | 15.88 | 1.53 | 38.86 | 1.25 | 31.75 |
| | | 2 | | A | | | 2.53 | | | | | | | 64.26 | | | |
| | | 3 | | B | | | 3.53 | | | | | | | 89.66 | | | |
| | | 4 | | C | | | 4.53 | | | | | | | 115.06 | | | |
| | 03 | 1 | | STD. | 6 | | STD. | 0.56 | 14.27 | 0.75 | | | 19.05 | 1.53 | 38.86 | 1.40 | 35.56 |
| | | 2 | | A | | | 2.53 | | | | | | | 64.26 | | | |
| | | 3 | | B | | | 3.53 | | | | | | | 89.66 | | | |
| | | 4 | | C | | | 4.53 | | | | | | | 115.06 | | | |
| | 04 | 1 | | STD. | 7 | | STD. | 0.69 | 17.45 | 0.88 | | | 22.23 | 1.53 | 38.86 | 1.50 | 38.10 |
| | | 2 | | A | | | 2.53 | | | | | | | 64.26 | | | |
| | | 3 | | B | | | 3.53 | | | | | | | 89.66 | | | |
| | | 4 | | C | | | 4.53 | | | | | | | 115.06 | | | |
| | 05 | 1 | | STD. | 8 | | STD. | 0.81 | 20.62 | 1.00 | | | 25.40 | 1.53 | 38.86 | 1.65 | 41.91 |
| | | 2 | | A | | | 2.53 | | | | | | | 64.26 | | | |
| | | 3 | | B | | | 3.53 | | | | | | | 89.66 | | | |
| | | 4 | | C | | | 4.53 | | | | | | | 115.06 | | | |
| | 06 | 1 | | STD. | 9 | | STD. | 0.94 | 23.80 | 1.13 | | | 28.58 | 1.53 | 38.86 | 1.75 | 44.45 |
| | | 2 | | A | | | 2.53 | | | | | | | 64.26 | | | |
| | | 3 | | B | | | 3.53 | | | | | | | 89.66 | | | |
| | | 4 | | C | | | 4.53 | | | | | | | 115.06 | | | |
| | 07 | 1 | | STD. | 10 | | STD. | 1.06 | 26.97 | 1.25 | | | 31.75 | 1.53 | 38.86 | 1.90 | 48.26 |
| | | 2 | | A | | | 2.53 | | | | | | | 64.26 | | | |
| | | 3 | | B | | | 3.53 | | | | | | | 89.66 | | | |
| | | 4 | | C | | | 4.53 | | | | | | | 115.06 | | | |



Connector Group - L

90°, 45°



NOTE: * For more cable entry options, contact factory

| AMPHENOL PART NUMBER DESIGNATOR | | CONNECTOR SHELL SIZE/CODE (REF.) | CABLE RANGE | | | | A DIA. (MAX) | | B (MAX) | | C (MAX) | | D (MAX) | | E (MAX) | | Y (MAX) | |
|---------------------------------|------------|----------------------------------|-------------|-------|------|-------|--------------|-------|---------|-------|---------|-------|---------|-------|---------|-------|---------|-------|
| SHELL SIZE | ENTRY SIZE | | MIN | | MAX | | INCH | MM | INCH | MM | INCH | MM | INCH | MM | INCH | MM | INCH | MM |
| | | | INCH | MM | INCH | MM | | | | | | | | | | | | |
| 08 | 01 | 09 / A | 0.06 | 1.57 | 0.13 | 3.18 | 0.75 | 19.05 | 0.46 | 11.68 | 3.15 | 80.01 | 0.69 | 17.53 | 3.46 | 87.88 | 0.80 | 20.32 |
| | 02 | | 0.13 | 3.18 | 0.25 | 6.35 | | | | | | | | | | | 1.00 | 25.40 |
| 10 | 01 | 11 / B | 0.06 | 1.57 | 0.13 | 3.18 | 0.85 | 21.59 | 0.52 | 13.21 | 3.21 | 81.53 | 0.78 | 19.81 | 3.58 | 90.93 | 0.80 | 20.32 |
| | 02 | | 0.13 | 3.18 | 0.25 | 6.35 | | | | | | | | | | | 1.00 | 25.40 |
| | 03 | | 0.25 | 6.35 | 0.38 | 9.53 | | | | | | | | | | | 1.10 | 27.94 |
| 12 | 01 | 13 / C | 0.13 | 3.18 | 0.25 | 6.35 | 1.00 | 25.40 | 0.58 | 14.73 | 3.27 | 83.06 | 0.80 | 20.32 | 3.60 | 91.44 | 1.00 | 25.40 |
| | 02 | | 0.25 | 6.35 | 0.38 | 9.53 | | | | | | | | | | | 1.10 | 27.94 |
| | 03 | | 0.31 | 7.92 | 0.50 | 12.70 | | | | | | | | | | | 1.20 | 30.48 |
| 14 | 01 | 15 / D | 0.13 | 3.18 | 0.25 | 6.35 | 1.15 | 29.21 | 0.65 | 16.51 | 3.36 | 85.34 | 0.88 | 22.35 | 3.67 | 93.22 | 1.00 | 25.40 |
| | 02 | | 0.25 | 6.35 | 0.38 | 9.53 | | | | | | | | | | | 1.10 | 27.94 |
| | 03 | | 0.31 | 7.92 | 0.50 | 12.70 | | | | | | | | | | | 1.20 | 30.48 |
| | 04 | | 0.44 | 11.10 | 0.63 | 15.88 | | | | | | | | | | | 1.25 | 31.75 |

Table Continued



Amphenol Non - Environmental Backshell

Connector Group - L

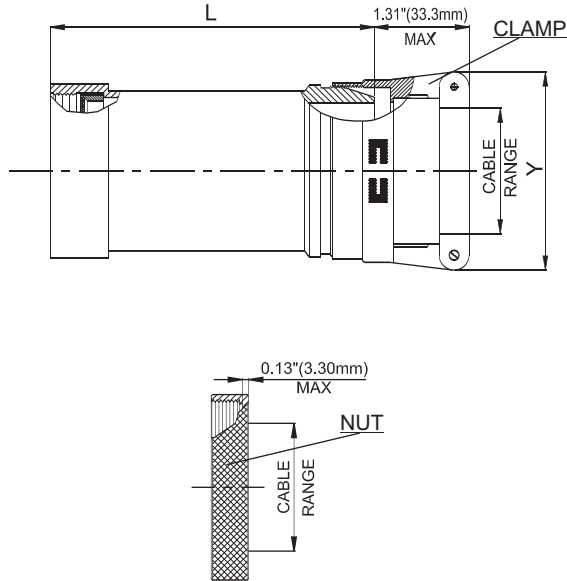
90°, 45°

| TABLE - B | | | | | | | | | | | | | | | | | | |
|---------------------------------|------------|----------------------------------|-------------|-------|------|-------|--------------|-------|---------|-------|---------|-------|---------|-------|---------|--------|---------|-------|
| AMPHENOL PART NUMBER DESIGNATOR | | CONNECTOR SHELL SIZE/CODE (REF.) | CABLE RANGE | | | | A DIA. (MAX) | | B (MAX) | | C (MAX) | | D (MAX) | | E (MAX) | | Y (MAX) | |
| SHELL SIZE | ENTRY SIZE | | MIN | | MAX | | INCH | MM | INCH | MM | INCH | MM | INCH | MM | INCH | MM | INCH | MM |
| | | | INCH | MM | INCH | MM | | | | | | | | | | | | |
| 16 | 01 | 17 / E | 0.13 | 3.18 | 0.25 | 6.35 | 1.25 | 31.75 | 0.74 | 18.80 | 3.47 | 88.14 | 0.93 | 23.62 | 3.76 | 95.50 | 1.00 | 25.40 |
| | 02 | | 0.25 | 6.35 | 0.38 | 9.53 | | | | | | | | | | | 1.10 | 27.94 |
| | 03 | | 0.31 | 7.92 | 0.50 | 12.70 | | | | | | | | | | | 1.20 | 30.48 |
| | 04 | | 0.44 | 11.10 | 0.63 | 15.88 | | | | | | | | | | | 1.25 | 31.75 |
| | 05 | | 0.56 | 14.27 | 0.75 | 19.05 | | | | | | | | | | | 1.40 | 35.56 |
| 18 | 01 | 19 / F | 0.25 | 6.35 | 0.38 | 9.53 | 1.40 | 35.56 | 0.93 | 23.62 | 3.66 | 92.96 | 1.01 | 25.65 | 3.93 | 99.82 | 1.10 | 27.94 |
| | 02 | | 0.31 | 7.92 | 0.50 | 12.70 | | | | | | | | | | | 1.20 | 30.48 |
| | 03 | | 0.44 | 11.10 | 0.63 | 15.88 | | | | | | | | | | | 1.25 | 31.75 |
| | 04 | | 0.56 | 14.27 | 0.75 | 19.05 | | | | | | | | | | | 1.40 | 35.56 |
| | 05 | | 0.69 | 17.45 | 0.88 | 22.23 | | | | | | | | | | | 1.50 | 38.10 |
| 20 | 01 | 21 / G | 0.25 | 6.35 | 0.38 | 9.53 | 1.55 | 39.37 | 0.93 | 23.62 | 3.66 | 92.96 | 1.06 | 26.92 | 3.93 | 99.82 | 1.10 | 27.94 |
| | 02 | | 0.31 | 7.92 | 0.50 | 12.70 | | | | | | | | | | | 1.20 | 30.48 |
| | 03 | | 0.44 | 11.10 | 0.63 | 15.88 | | | | | | | | | | | 1.25 | 31.75 |
| | 04 | | 0.56 | 14.27 | 0.75 | 19.05 | | | | | | | | | | | 1.40 | 35.56 |
| | 05 | | 0.69 | 17.45 | 0.88 | 22.23 | | | | | | | | | | | 1.50 | 38.10 |
| | 06 | | 0.81 | 20.62 | 1.00 | 25.40 | | | | | | | | | | | 1.65 | 41.91 |
| 22 | 01 | 23 / H | 0.25 | 6.35 | 0.38 | 9.53 | 1.65 | 41.91 | 1.02 | 25.91 | 3.81 | 96.77 | 1.17 | 29.72 | 4.04 | 102.62 | 1.10 | 27.94 |
| | 02 | | 0.31 | 7.92 | 0.50 | 12.70 | | | | | | | | | | | 1.20 | 30.48 |
| | 03 | | 0.44 | 11.10 | 0.63 | 15.88 | | | | | | | | | | | 1.25 | 31.75 |
| | 04 | | 0.56 | 14.27 | 0.75 | 19.05 | | | | | | | | | | | 1.40 | 35.56 |
| | 05 | | 0.69 | 17.45 | 0.88 | 22.23 | | | | | | | | | | | 1.50 | 38.10 |
| | 06 | | 0.81 | 20.62 | 1.00 | 25.40 | | | | | | | | | | | 1.65 | 41.91 |
| | 07 | | 0.94 | 23.80 | 1.13 | 28.58 | | | | | | | | | | | 1.75 | 44.45 |
| 24 | 01 | 25 / J | 0.31 | 7.92 | 0.50 | 12.70 | 1.85 | 46.99 | 1.02 | 25.91 | 3.81 | 96.77 | 1.18 | 29.97 | 4.04 | 102.62 | 1.20 | 30.48 |
| | 02 | | 0.44 | 11.10 | 0.63 | 15.88 | | | | | | | | | | | 1.25 | 31.75 |
| | 03 | | 0.56 | 14.27 | 0.75 | 19.05 | | | | | | | | | | | 1.40 | 35.56 |
| | 04 | | 0.69 | 17.45 | 0.88 | 22.23 | | | | | | | | | | | 1.50 | 38.10 |
| | 05 | | 0.81 | 20.62 | 1.00 | 25.40 | | | | | | | | | | | 1.65 | 41.91 |
| | 06 | | 0.94 | 23.80 | 1.13 | 28.58 | | | | | | | | | | | 1.75 | 44.45 |
| | 07 | | 1.06 | 26.97 | 1.25 | 31.75 | | | | | | | | | | | 1.90 | 48.26 |

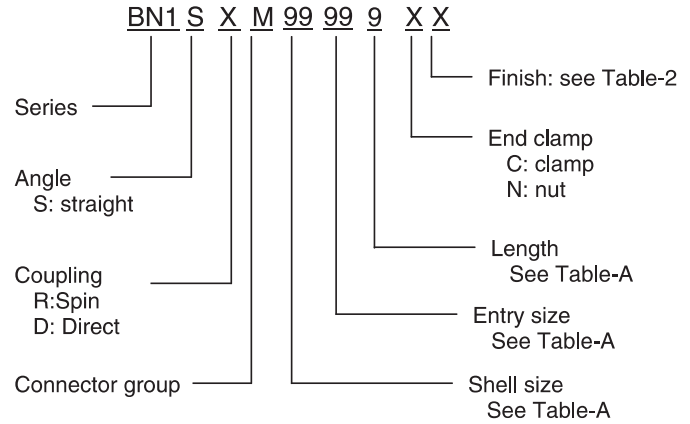


Connector Group - M

Straight



Amphenol Part Number



NOTE: * For more cable entry and length options, contact factory

| TABLE - A | | | | | | | | | | | |
|---------------------------------|------------|--------|----------------------|-------------|------|------|-------|---------|-------|---------|-------|
| AMPHENOL PART NUMBER DESIGNATOR | | | CONNECTOR SHELL SIZE | CABLE RANGE | | | | L (MAX) | | Y (MAX) | |
| SHELL SIZE | ENTRY SIZE | LENGTH | | MIN | | MAX | | INCH | MM | INCH | MM |
| | | | | INCH | MM | INCH | MM | | | | |
| 08 | 01 | 1 | 8 | 0.06 | 1.57 | 0.13 | 3.18 | 1.03 | 26.16 | 0.78 | 19.81 |
| | | 2 | | | | | | 2.03 | 51.56 | | |
| | 02 | 1 | | 0.13 | 3.18 | 0.25 | 6.35 | 1.03 | 26.16 | 0.97 | 24.64 |
| | | 2 | | | | | | 2.03 | 51.56 | | |
| 10 | 01 | 1 | 10 | 0.06 | 1.57 | 0.13 | 3.18 | 1.03 | 26.16 | 0.78 | 19.81 |
| | | 2 | | | | | | 2.03 | 51.56 | | |
| | 02 | 1 | | 0.13 | 3.18 | 0.25 | 6.35 | 1.03 | 26.16 | 0.97 | 24.64 |
| | | 2 | | | | | | 2.03 | 51.56 | | |
| | 03 | 1 | | 0.25 | 6.35 | 0.38 | 9.53 | 1.03 | 26.16 | 1.06 | 26.92 |
| | | 2 | | | | | | 2.03 | 51.56 | | |
| 12 | 01 | 1 | 12 | 0.13 | 3.18 | 0.25 | 6.35 | 1.03 | 26.16 | 0.97 | 24.64 |
| | | 2 | | | | | | 2.03 | 51.56 | | |
| | 02 | 1 | | 0.25 | 6.35 | 0.38 | 9.53 | 1.03 | 26.16 | 1.06 | 26.92 |
| | | 2 | | | | | | 2.03 | 51.56 | | |
| | 03 | 1 | | 0.31 | 7.92 | 0.50 | 12.70 | 1.03 | 26.16 | 1.16 | 29.46 |
| | | 2 | | | | | | 2.03 | 51.56 | | |
| 14 | 01 | 1 | 14 | 0.13 | 3.18 | 0.25 | 6.35 | 1.03 | 26.16 | 0.97 | 24.64 |
| | | 2 | | | | | | 2.03 | 51.56 | | |
| | | 3 | | | | | | 3.03 | 76.96 | | |
| | 02 | 1 | | 0.25 | 6.35 | 0.38 | 9.53 | 1.03 | 26.16 | 1.06 | 26.92 |
| | | 2 | | | | | | 2.03 | 51.56 | | |
| | | 3 | | | | | | 3.03 | 76.96 | | |

Table Continued



Amphenol Non - Environmental Backshell

Connector Group - M

Straight

| TABLE - A | | | | | | | | | | | |
|---------------------------------|------------|--------|----------------------|-------------|-------|------|-------|---------|--------|---------|-------|
| AMPHENOL PART NUMBER DESIGNATOR | | | CONNECTOR SHELL SIZE | CABLE RANGE | | | | L (MAX) | | Y (MAX) | |
| SHELL SIZE | ENTRY SIZE | LENGTH | | MIN | | MAX | | INCH | MM | INCH | MM |
| | | | | INCH | MM | INCH | MM | | | | |
| 14 | 03 | 1 | 14 | 0.31 | 7.92 | 0.50 | 12.70 | 1.03 | 26.16 | 1.16 | 29.46 |
| | | 2 | | | | | | 2.03 | 51.56 | | |
| | | 3 | | | | | | 3.03 | 76.96 | | |
| | 04 | 1 | | 0.44 | 11.10 | 0.63 | 15.88 | 1.03 | 26.16 | 1.25 | 31.75 |
| | | 2 | | | | | | 2.03 | 51.56 | | |
| | | 3 | | | | | | 3.03 | 76.96 | | |
| 16 | 01 | 1 | 16 | 0.13 | 3.18 | 0.25 | 6.35 | 1.03 | 26.16 | 0.97 | 24.64 |
| | | 2 | | | | | | 2.03 | 51.56 | | |
| | | 3 | | | | | | 3.03 | 76.96 | | |
| | 02 | 1 | | 0.25 | 6.35 | 0.38 | 9.53 | 1.03 | 26.16 | 1.06 | 26.92 |
| | | 2 | | | | | | 2.03 | 51.56 | | |
| | | 3 | | | | | | 3.03 | 76.96 | | |
| | 03 | 1 | | 0.31 | 7.92 | 0.50 | 12.70 | 1.03 | 26.16 | 1.16 | 29.46 |
| | | 2 | | | | | | 2.03 | 51.56 | | |
| | | 3 | | | | | | 3.03 | 76.96 | | |
| | 04 | 1 | | 0.44 | 11.10 | 0.63 | 15.88 | 1.03 | 26.16 | 1.25 | 31.75 |
| | | 2 | | | | | | 2.03 | 51.56 | | |
| | | 3 | | | | | | 3.03 | 76.96 | | |
| | 05 | 1 | | 0.56 | 14.27 | 0.75 | 19.05 | 1.03 | 26.16 | 1.38 | 35.05 |
| | | 2 | | | | | | 2.03 | 51.56 | | |
| | | 3 | | | | | | 3.03 | 76.96 | | |
| 18 | 01 | 1 | 18 | 0.25 | 6.35 | 0.38 | 9.53 | 1.03 | 26.16 | 1.06 | 26.92 |
| | | 2 | | | | | | 2.03 | 51.56 | | |
| | | 3 | | | | | | 3.03 | 76.96 | | |
| | 02 | 1 | | 0.31 | 7.92 | 0.50 | 12.70 | 1.03 | 26.16 | 1.16 | 29.46 |
| | | 2 | | | | | | 2.03 | 51.56 | | |
| | | 3 | | | | | | 3.03 | 76.96 | | |
| | 03 | 1 | | 0.44 | 11.10 | 0.63 | 15.88 | 1.03 | 26.16 | 1.25 | 31.75 |
| | | 2 | | | | | | 2.03 | 51.56 | | |
| | | 3 | | | | | | 3.03 | 76.96 | | |
| | 04 | 1 | | 0.56 | 14.27 | 0.75 | 19.05 | 1.03 | 26.16 | 1.38 | 35.05 |
| | | 2 | | | | | | 2.03 | 51.56 | | |
| | | 3 | | | | | | 3.03 | 76.96 | | |
| | 05 | 1 | | 0.69 | 17.45 | 0.88 | 22.23 | 1.03 | 26.16 | 1.50 | 38.10 |
| | | 2 | | | | | | 2.03 | 51.56 | | |
| | | 3 | | | | | | 3.03 | 76.96 | | |
| 20 | 01 | 1 | 20 | 0.25 | 6.35 | 0.38 | 9.53 | 1.03 | 26.16 | 1.06 | 26.92 |
| | | 2 | | | | | | 2.03 | 51.56 | | |
| | | 3 | | | | | | 3.03 | 76.96 | | |
| | | 4 | | | | | | 4.03 | 102.36 | | |
| | 02 | 1 | | 0.31 | 7.92 | 0.50 | 12.70 | 1.03 | 26.16 | 1.16 | 29.46 |
| | | 2 | | | | | | 2.03 | 51.56 | | |
| | | 3 | | | | | | 3.03 | 76.96 | | |
| | | 4 | | | | | | 4.03 | 102.36 | | |
| | 03 | 1 | | 0.44 | 11.10 | 0.63 | 15.88 | 1.03 | 26.16 | 1.25 | 31.75 |
| | | 2 | | | | | | 2.03 | 51.56 | | |
| | | 3 | | | | | | 3.03 | 76.96 | | |
| | | 4 | | | | | | 4.03 | 102.36 | | |
| | 04 | 1 | | 0.56 | 14.27 | 0.75 | 19.05 | 1.03 | 26.16 | 1.38 | 35.05 |
| | | 2 | | | | | | 2.03 | 51.56 | | |
| | | 3 | | | | | | 3.03 | 76.96 | | |
| | | 4 | | | | | | 4.03 | 102.36 | | |
| | 05 | 1 | | 0.69 | 17.45 | 0.88 | 22.23 | 1.03 | 26.16 | 1.50 | 38.10 |
| | | 2 | | | | | | 2.03 | 51.56 | | |
| | | 3 | | | | | | 3.03 | 76.96 | | |
| | | 4 | | | | | | 4.03 | 102.36 | | |
| | 06 | 1 | | 0.81 | 20.62 | 1.00 | 25.40 | 1.03 | 26.16 | 1.63 | 41.40 |
| | | 2 | | | | | | 2.03 | 51.56 | | |
| | | 3 | | | | | | 3.03 | 76.96 | | |
| | | 4 | | | | | | 4.03 | 102.36 | | |

Table Continued



Connector Group - M

Straight

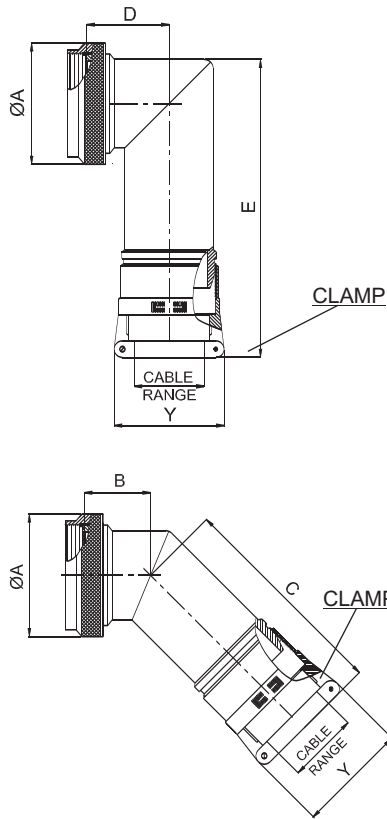
| TABLE - A | | | | | | | | | | | |
|---------------------------------|------------|--------|----------------------|-------------|-------|------|-------|---------|--------|---------|-------|
| AMPHENOL PART NUMBER DESIGNATOR | | | CONNECTOR SHELL SIZE | CABLE RANGE | | | | L (MAX) | | Y (MAX) | |
| SHELL SIZE | ENTRY SIZE | LENGTH | | MIN | | MAX | | INCH | MM | INCH | MM |
| | | | | INCH | MM | INCH | MM | | | | |
| 22 | 01 | 1 | 22 | 0.25 | 6.35 | 0.38 | 9.53 | 1.03 | 26.16 | 1.06 | 26.92 |
| | | 2 | | | | | | 2.03 | 51.56 | | |
| | | 3 | | | | | | 3.03 | 76.96 | | |
| | | 4 | | | | | | 4.03 | 102.36 | | |
| | 02 | 1 | | 0.31 | 7.92 | 0.50 | 12.70 | 1.03 | 26.16 | 1.16 | 29.46 |
| | | 2 | | | | | | 2.03 | 51.56 | | |
| | | 3 | | | | | | 3.03 | 76.96 | | |
| | | 4 | | | | | | 4.03 | 102.36 | | |
| | 03 | 1 | | 0.44 | 11.10 | 0.63 | 15.88 | 1.03 | 26.16 | 1.25 | 31.75 |
| | | 2 | | | | | | 2.03 | 51.56 | | |
| | | 3 | | | | | | 3.03 | 76.96 | | |
| | | 4 | | | | | | 4.03 | 102.36 | | |
| | 04 | 1 | | 0.56 | 14.27 | 0.75 | 19.05 | 1.03 | 26.16 | 1.38 | 35.05 |
| | | 2 | | | | | | 2.03 | 51.56 | | |
| | | 3 | | | | | | 3.03 | 76.96 | | |
| | | 4 | | | | | | 4.03 | 102.36 | | |
| | 05 | 1 | | 0.69 | 17.45 | 0.88 | 22.23 | 1.03 | 26.16 | 1.50 | 38.10 |
| | | 2 | | | | | | 2.03 | 51.56 | | |
| | | 3 | | | | | | 3.03 | 76.96 | | |
| | | 4 | | | | | | 4.03 | 102.36 | | |
| | 06 | 1 | | 0.81 | 20.62 | 1.00 | 25.40 | 1.03 | 26.16 | 1.63 | 41.40 |
| | | 2 | | | | | | 2.03 | 51.56 | | |
| | | 3 | | | | | | 3.03 | 76.96 | | |
| | | 4 | | | | | | 4.03 | 102.36 | | |
| | 07 | 1 | | 0.94 | 23.80 | 1.13 | 28.58 | 1.03 | 26.16 | 1.75 | 44.45 |
| | | 2 | | | | | | 2.03 | 51.56 | | |
| | | 3 | | | | | | 3.03 | 76.96 | | |
| | | 4 | | | | | | 4.03 | 102.36 | | |
| 24 | 01 | 1 | 24 | 0.31 | 7.92 | 0.50 | 12.70 | 1.03 | 26.16 | 1.16 | 29.46 |
| | | 2 | | | | | | 2.03 | 51.56 | | |
| | | 3 | | | | | | 3.03 | 76.96 | | |
| | | 4 | | | | | | 4.03 | 102.36 | | |
| | 02 | 1 | | 0.44 | 11.10 | 0.63 | 15.88 | 1.03 | 26.16 | 1.25 | 31.75 |
| | | 2 | | | | | | 2.03 | 51.56 | | |
| | | 3 | | | | | | 3.03 | 76.96 | | |
| | | 4 | | | | | | 4.03 | 102.36 | | |
| | 03 | 1 | | 0.56 | 14.27 | 0.75 | 19.05 | 1.03 | 26.16 | 1.38 | 35.05 |
| | | 2 | | | | | | 2.03 | 51.56 | | |
| | | 3 | | | | | | 3.03 | 76.96 | | |
| | | 4 | | | | | | 4.03 | 102.36 | | |
| | 04 | 1 | | 0.69 | 17.45 | 0.88 | 22.23 | 1.03 | 26.16 | 1.50 | 38.10 |
| | | 2 | | | | | | 2.03 | 51.56 | | |
| | | 3 | | | | | | 3.03 | 76.96 | | |
| | | 4 | | | | | | 4.03 | 102.36 | | |
| | 05 | 1 | | 0.81 | 20.62 | 1.00 | 25.40 | 1.03 | 26.16 | 1.63 | 41.40 |
| | | 2 | | | | | | 2.03 | 51.56 | | |
| | | 3 | | | | | | 3.03 | 76.96 | | |
| | | 4 | | | | | | 4.03 | 102.36 | | |
| | 06 | 1 | | 0.94 | 23.80 | 1.13 | 28.58 | 1.03 | 26.16 | 1.75 | 44.45 |
| | | 2 | | | | | | 2.03 | 51.56 | | |
| | | 3 | | | | | | 3.03 | 76.96 | | |
| | | 4 | | | | | | 4.03 | 102.36 | | |
| | 07 | 1 | | 1.06 | 26.97 | 1.25 | 31.75 | 1.03 | 26.16 | 1.88 | 47.75 |
| | | 2 | | | | | | 2.03 | 51.56 | | |
| | | 3 | | | | | | 3.03 | 76.96 | | |
| | | 4 | | | | | | 4.03 | 102.36 | | |



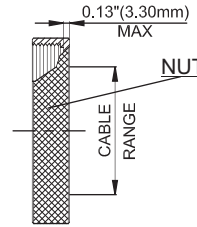
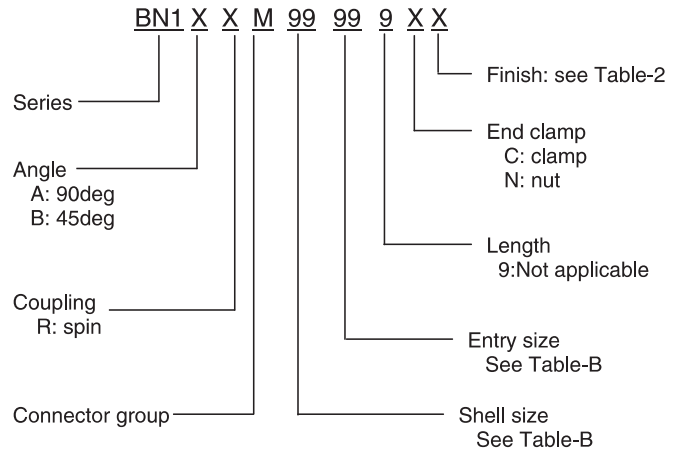
Amphenol Non - Environmental Backshell

Connector Group - M

90°, 45°



Amphenol Part Number



NOTE: * For more cable entry options, contact factory

TABLE - B

| AMPHENOL PART NUMBER DESIGNATOR | | CONNECTOR SHELL SIZE | CABLE RANGE | | | | A DIA. (MAX) | | B (MAX) | | C (MAX) | | D (MAX) | | E (MAX) | | Y (MAX) | |
|---------------------------------|------------|----------------------|-------------|-------|------|-------|--------------|-------|---------|-------|---------|-------|---------|-------|---------|-------|---------|-------|
| SHELL SIZE | ENTRY SIZE | | MIN | | MAX | | INCH | MM | INCH | MM | INCH | MM | INCH | MM | INCH | MM | INCH | MM |
| | | | INCH | MM | INCH | MM | | | | | | | | | | | | |
| 08 | 01 | 8 | 0.06 | 1.57 | 0.13 | 3.18 | 0.75 | 19.05 | 0.46 | 11.68 | 3.15 | 80.01 | 0.69 | 17.53 | 3.46 | 87.88 | 0.78 | 19.81 |
| | 02 | | 0.13 | 3.18 | 0.25 | 6.35 | | | | | | | | | | | 0.97 | 24.64 |
| 10 | 01 | 10 | 0.06 | 1.57 | 0.13 | 3.18 | 0.85 | 21.59 | 0.52 | 13.21 | 3.21 | 81.53 | 0.78 | 19.81 | 3.58 | 90.93 | 0.78 | 19.81 |
| | 02 | | 0.13 | 3.18 | 0.25 | 6.35 | | | | | | | | | | | 0.97 | 24.64 |
| | 03 | | 0.25 | 6.35 | 0.38 | 9.53 | | | | | | | | | | | 1.06 | 26.92 |
| 12 | 01 | 12 | 0.13 | 3.18 | 0.25 | 6.35 | 1.00 | 25.40 | 0.58 | 14.73 | 3.27 | 83.06 | 0.80 | 20.32 | 3.60 | 91.44 | 0.97 | 24.64 |
| | 02 | | 0.25 | 6.35 | 0.38 | 9.53 | | | | | | | | | | | 1.06 | 26.92 |
| | 03 | | 0.31 | 7.92 | 0.50 | 12.70 | | | | | | | | | | | 1.16 | 29.46 |
| 14 | 01 | 14 | 0.13 | 3.18 | 0.25 | 6.35 | 1.15 | 29.21 | 0.65 | 16.51 | 3.36 | 85.34 | 0.88 | 22.35 | 3.67 | 93.22 | 0.97 | 24.64 |
| | 02 | | 0.25 | 6.35 | 0.38 | 9.53 | | | | | | | | | | | 1.06 | 26.92 |
| | 03 | | 0.31 | 7.92 | 0.50 | 12.70 | | | | | | | | | | | 1.16 | 29.46 |
| | 04 | | 0.44 | 11.10 | 0.63 | 15.88 | | | | | | | | | | | 1.25 | 31.75 |

Table Continued

Connector Group - M

90°, 45°

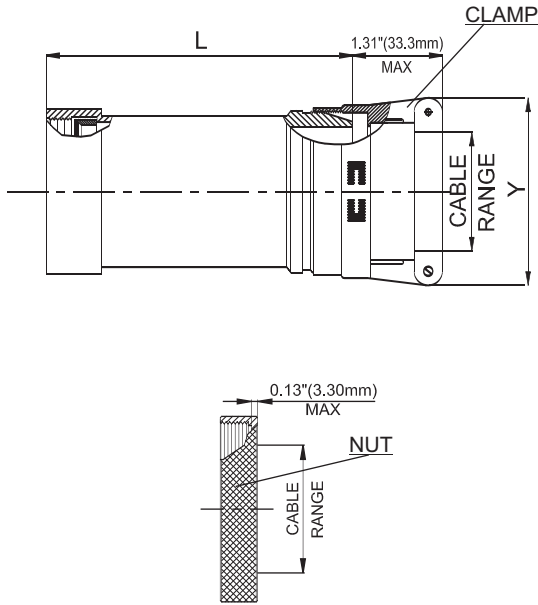
| TABLE - B | | | | | | | | | | | | | | | | | | |
|---------------------------------|------------|----------------------|-------------|-------|------|-------|--------------|-------|---------|-------|---------|-------|---------|-------|---------|--------|---------|-------|
| AMPHENOL PART NUMBER DESIGNATOR | | CONNECTOR SHELL SIZE | CABLE RANGE | | | | A DIA. (MAX) | | B (MAX) | | C (MAX) | | D (MAX) | | E (MAX) | | Y (MAX) | |
| SHELL SIZE | ENTRY SIZE | | MIN | | MAX | | INCH | MM | INCH | MM | INCH | MM | INCH | MM | INCH | MM | INCH | MM |
| | | | INCH | MM | INCH | MM | | | | | | | | | | | | |
| 16 | 01 | 16 | 0.13 | 3.18 | 0.25 | 6.35 | 1.25 | 31.75 | 0.74 | 18.80 | 3.47 | 88.14 | 0.93 | 23.62 | 3.76 | 95.50 | 0.97 | 24.64 |
| | 02 | | 0.25 | 6.35 | 0.38 | 9.53 | | | | | | | | | | | 1.06 | 26.92 |
| | 03 | | 0.31 | 7.92 | 0.50 | 12.70 | | | | | | | | | | | 1.16 | 29.46 |
| | 04 | | 0.44 | 11.10 | 0.63 | 15.88 | | | | | | | | | | | 1.25 | 31.75 |
| | 05 | | 0.56 | 14.27 | 0.75 | 19.05 | | | | | | | | | | | 1.38 | 35.05 |
| 18 | 01 | 18 | 0.25 | 6.35 | 0.38 | 9.53 | 1.40 | 35.56 | 0.93 | 23.62 | 3.66 | 92.96 | 1.01 | 25.65 | 3.93 | 99.82 | 1.06 | 26.92 |
| | 02 | | 0.31 | 7.92 | 0.50 | 12.70 | | | | | | | | | | | 1.16 | 29.46 |
| | 03 | | 0.44 | 11.10 | 0.63 | 15.88 | | | | | | | | | | | 1.25 | 31.75 |
| | 04 | | 0.56 | 14.27 | 0.75 | 19.05 | | | | | | | | | | | 1.38 | 35.05 |
| | 05 | | 0.69 | 17.45 | 0.88 | 22.23 | | | | | | | | | | | 1.50 | 38.10 |
| 20 | 01 | 20 | 0.25 | 6.35 | 0.38 | 9.53 | 1.55 | 39.37 | 0.93 | 23.62 | 3.66 | 92.96 | 1.06 | 26.92 | 3.93 | 99.82 | 1.06 | 26.92 |
| | 02 | | 0.31 | 7.92 | 0.50 | 12.70 | | | | | | | | | | | 1.16 | 29.46 |
| | 03 | | 0.44 | 11.10 | 0.63 | 15.88 | | | | | | | | | | | 1.25 | 31.75 |
| | 04 | | 0.56 | 14.27 | 0.75 | 19.05 | | | | | | | | | | | 1.38 | 35.05 |
| | 05 | | 0.69 | 17.45 | 0.88 | 22.23 | | | | | | | | | | | 1.50 | 38.10 |
| | 06 | | 0.81 | 20.62 | 1.00 | 25.40 | | | | | | | | | | | 1.63 | 41.40 |
| 22 | 01 | 22 | 0.25 | 6.35 | 0.38 | 9.53 | 1.65 | 41.91 | 1.02 | 25.91 | 3.81 | 96.77 | 1.17 | 29.72 | 4.04 | 102.62 | 1.06 | 26.92 |
| | 02 | | 0.31 | 7.92 | 0.50 | 12.70 | | | | | | | | | | | 1.16 | 29.46 |
| | 03 | | 0.44 | 11.10 | 0.63 | 15.88 | | | | | | | | | | | 1.25 | 31.75 |
| | 04 | | 0.56 | 14.27 | 0.75 | 19.05 | | | | | | | | | | | 1.38 | 35.05 |
| | 05 | | 0.69 | 17.45 | 0.88 | 22.23 | | | | | | | | | | | 1.50 | 38.10 |
| | 06 | | 0.81 | 20.62 | 1.00 | 25.40 | | | | | | | | | | | 1.63 | 41.40 |
| | 07 | | 0.94 | 23.80 | 1.13 | 28.58 | | | | | | | | | | | 1.75 | 44.45 |
| 24 | 01 | 24 | 0.31 | 7.92 | 0.50 | 12.70 | 1.85 | 46.99 | 1.02 | 25.91 | 3.81 | 96.77 | 1.18 | 29.97 | 4.04 | 102.62 | 1.16 | 29.46 |
| | 02 | | 0.44 | 11.10 | 0.63 | 15.88 | | | | | | | | | | | 1.25 | 31.75 |
| | 03 | | 0.56 | 14.27 | 0.75 | 19.05 | | | | | | | | | | | 1.38 | 35.05 |
| | 04 | | 0.69 | 17.45 | 0.88 | 22.23 | | | | | | | | | | | 1.50 | 38.10 |
| | 05 | | 0.81 | 20.62 | 1.00 | 25.40 | | | | | | | | | | | 1.63 | 41.40 |
| | 06 | | 0.94 | 23.80 | 1.13 | 28.58 | | | | | | | | | | | 1.75 | 44.45 |
| | 07 | | 1.06 | 26.97 | 1.25 | 31.75 | | | | | | | | | | | 1.88 | 47.75 |



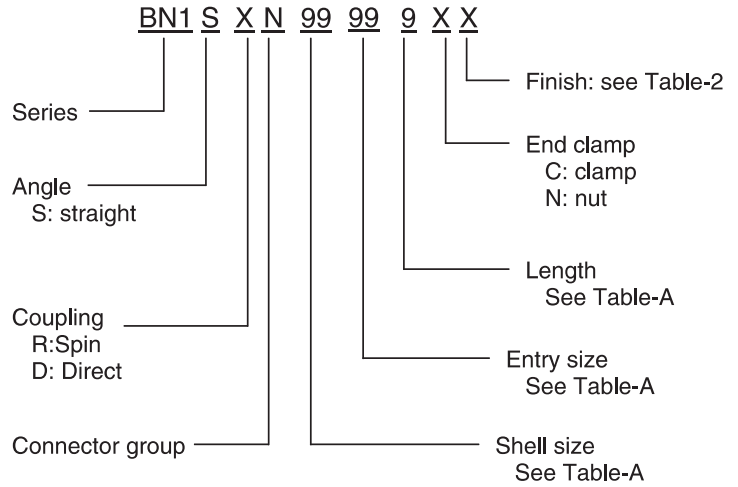
Amphenol Non - Environmental Backshell

Connector Group - N

Straight



Amphenol Part Number



NOTE: * For more cable entry and length options, contact factory

| TABLE - A | | | | | | | | | | | |
|---------------------------------|------------|--------|----------------------|-------------|------|------|-------|---------|-------|---------|-------|
| AMPHENOL PART NUMBER DESIGNATOR | | | CONNECTOR SHELL SIZE | CABLE RANGE | | | | L (MAX) | | Y (MAX) | |
| SHELL SIZE | ENTRY SIZE | LENGTH | | MIN | | MAX | | INCH | MM | INCH | MM |
| | | | | INCH | MM | INCH | MM | | | | |
| 08 | 01 | 1 | 8 | 0.06 | 1.57 | 0.13 | 3.18 | 1.03 | 26.16 | 0.78 | 19.81 |
| | | 2 | | | | | | 2.03 | 51.56 | | |
| | 02 | 1 | | 0.13 | 3.18 | 0.25 | 6.35 | 1.03 | 26.16 | 0.97 | 24.64 |
| | | 2 | | | | | | 2.03 | 51.56 | | |
| 10 | 01 | 1 | 10 | 0.06 | 1.57 | 0.13 | 3.18 | 1.03 | 26.16 | 0.78 | 19.81 |
| | | 2 | | | | | | 2.03 | 51.56 | | |
| | 02 | 1 | | 0.13 | 3.18 | 0.25 | 6.35 | 1.03 | 26.16 | 0.97 | 24.64 |
| | | 2 | | | | | | 2.03 | 51.56 | | |
| | 03 | 1 | | 0.25 | 6.35 | 0.38 | 9.53 | 1.03 | 26.16 | 1.06 | 26.92 |
| | | 2 | | | | | | 2.03 | 51.56 | | |
| 12 | 01 | 1 | 12 | 0.13 | 3.18 | 0.25 | 6.35 | 1.03 | 26.16 | 0.97 | 24.64 |
| | | 2 | | | | | | 2.03 | 51.56 | | |
| | 02 | 1 | | 0.25 | 6.35 | 0.38 | 9.53 | 1.03 | 26.16 | 1.06 | 26.92 |
| | | 2 | | | | | | 2.03 | 51.56 | | |
| | 03 | 1 | | 0.31 | 7.92 | 0.50 | 12.70 | 1.03 | 26.16 | 1.16 | 29.46 |
| | | 2 | | | | | | 2.03 | 51.56 | | |
| 14 | 01 | 1 | 14 | 0.13 | 3.18 | 0.25 | 6.35 | 1.03 | 26.16 | 0.97 | 24.64 |
| | | 2 | | | | | | 2.03 | 51.56 | | |
| | | 3 | | | | | | 3.03 | 76.96 | | |
| | 02 | 1 | | 0.25 | 6.35 | 0.38 | 9.53 | 1.03 | 26.16 | 1.06 | 26.92 |
| | | 2 | | | | | | 2.03 | 51.56 | | |
| | | 3 | | | | | | 3.03 | 76.96 | | |

Table Continued

Connector Group - N

Straight

| TABLE - A | | | | | | | | | | | | | | | | | | | | | | | |
|---------------------------------|------------|--------|----------------------|-------------|------|-------|--------|---------|-------|---------|--------|------|-------|------|-------|------|-------|------|-------|------|-------|------|-------|
| AMPHENOL PART NUMBER DESIGNATOR | | | CONNECTOR SHELL SIZE | CABLE RANGE | | | | L (MAX) | | Y (MAX) | | | | | | | | | | | | | |
| SHELL SIZE | ENTRY SIZE | LENGTH | | MIN | | MAX | | INCH | MM | INCH | MM | | | | | | | | | | | | |
| | | | | INCH | MM | INCH | MM | | | | | | | | | | | | | | | | |
| 14 | 03 | 1 | 14 | 0.31 | 7.92 | 0.50 | 12.70 | 1.03 | 26.16 | 1.16 | 29.46 | | | | | | | | | | | | |
| | | 2 | | | | | | 2.03 | 51.56 | | | | | | | | | | | | | | |
| | | 3 | | | | | | 3.03 | 76.96 | | | | | | | | | | | | | | |
| | 04 | 1 | | | | | | 0.44 | 11.10 | | | 0.63 | 15.88 | 1.03 | 26.16 | | | | | | | | |
| | | 2 | | | | | | | | | | | | 2.03 | 51.56 | | | | | | | | |
| | | 3 | | | | | | | | | | | | 3.03 | 76.96 | | | | | | | | |
| 16 | 01 | 1 | 16 | 0.13 | 3.18 | 0.25 | 6.35 | | | 1.03 | 26.16 | | | 0.97 | 24.64 | | | | | | | | |
| | | 2 | | | | | | | | 2.03 | 51.56 | | | | | | | | | | | | |
| | | 3 | | | | | | | | 3.03 | 76.96 | | | | | | | | | | | | |
| | 02 | 1 | | | | | | 0.25 | 6.35 | 0.38 | 9.53 | 1.03 | 26.16 | | | | | | | | | | |
| | | 2 | | | | | | | | | | 2.03 | 51.56 | | | | | | | | | | |
| | | 3 | | | | | | | | | | 3.03 | 76.96 | | | | | | | | | | |
| | 03 | 1 | | | | | | | | | | 0.31 | 7.92 | | | 0.50 | 12.70 | 1.03 | 26.16 | | | | |
| | | 2 | | | | | | | | | | | | | | | | 2.03 | 51.56 | | | | |
| | | 3 | | | | | | | | | | | | | | | | 3.03 | 76.96 | | | | |
| | 04 | 1 | | | | | | 0.44 | 11.10 | 0.63 | 15.88 | | | | | | | 1.03 | 26.16 | | | | |
| | | 2 | | | | | | | | | | | | | | | | 2.03 | 51.56 | | | | |
| | | 3 | | | | | | | | | | | | | | | | 3.03 | 76.96 | | | | |
| | 05 | 1 | | | | | | | | | | 0.56 | 14.27 | | | 0.75 | 19.05 | 1.03 | 26.16 | | | | |
| | | 2 | | | | | | | | | | | | | | | | 2.03 | 51.56 | | | | |
| | | 3 | | | | | | | | | | | | | | | | 3.03 | 76.96 | | | | |
| | 18 | 01 | | | | | | 1 | 18 | 0.25 | 6.35 | | | | | | | 0.38 | 9.53 | 1.03 | 26.16 | 1.06 | 26.92 |
| | | | | | | | | 2 | | | | | | | | | | | | 2.03 | 51.56 | | |
| | | | | | | | | 3 | | | | | | | | | | | | 3.03 | 76.96 | | |
| 02 | | 1 | 0.31 | 7.92 | 0.50 | 12.70 | 1.03 | 26.16 | | | | | | | | | | | | | | | |
| | | 2 | | | | | 2.03 | 51.56 | | | | | | | | | | | | | | | |
| | | 3 | | | | | 3.03 | 76.96 | | | | | | | | | | | | | | | |
| 03 | | 1 | | | | | 0.44 | 11.10 | | | | 0.63 | 15.88 | 1.03 | 26.16 | | | | | | | | |
| | | 2 | | | | | | | | | | | | 2.03 | 51.56 | | | | | | | | |
| | | 3 | | | | | | | | | | | | 3.03 | 76.96 | | | | | | | | |
| 04 | | 1 | 0.56 | 14.27 | 0.75 | 19.05 | | | | | | | | 1.03 | 26.16 | | | | | | | | |
| | | 2 | | | | | | | | | | | | 2.03 | 51.56 | | | | | | | | |
| | | 3 | | | | | | | | | | | | 3.03 | 76.96 | | | | | | | | |
| 05 | | 1 | | | | | 0.69 | 17.45 | | | | 0.88 | 22.23 | 1.03 | 26.16 | | | | | | | | |
| | | 2 | | | | | | | | | | | | 2.03 | 51.56 | | | | | | | | |
| | | 3 | | | | | | | | | | | | 3.03 | 76.96 | | | | | | | | |
| 20 | | 01 | 1 | 20 | 0.25 | 6.35 | | | | | | | | 0.38 | 9.53 | 1.03 | 26.16 | | | 1.06 | 26.92 | | |
| | | | 2 | | | | | | | | | | | | | 2.03 | 51.56 | | | | | | |
| | | | 3 | | | | | | | | | | | | | 3.03 | 76.96 | | | | | | |
| | 4 | | 4.03 | | | | 102.36 | | | | | | | | | | | | | | | | |
| | 02 | 1 | 0.31 | | | | 7.92 | 0.50 | 12.70 | 1.03 | 26.16 | | | | | | | | | | | | |
| | | 2 | | | | | | | | 2.03 | 51.56 | | | | | | | | | | | | |
| | | 3 | | | | | | | | 3.03 | 76.96 | | | | | | | | | | | | |
| | | 4 | | | | | | | | 4.03 | 102.36 | | | | | | | | | | | | |
| | 03 | 1 | | | | | | | | 0.44 | 11.10 | 0.63 | 15.88 | | | 1.03 | 26.16 | | | | | | |
| | | 2 | | | | | | | | | | | | | | 2.03 | 51.56 | | | | | | |
| | | 3 | 3.03 | | | | 76.96 | | | | | | | | | | | | | | | | |
| | | 4 | 4.03 | | | | 102.36 | | | | | | | | | | | | | | | | |
| | 04 | 1 | 0.56 | | | | 14.27 | 0.75 | 19.05 | | | | | | | 1.03 | 26.16 | | | | | | |
| | | 2 | | | | | | | | | | | | | | 2.03 | 51.56 | | | | | | |
| | | 3 | | | | | | | | 3.03 | 76.96 | | | | | | | | | | | | |
| | | 4 | | | | | | | | 4.03 | 102.36 | | | | | | | | | | | | |
| | 05 | 1 | | | | | | | | 0.69 | 17.45 | 0.88 | 22.23 | | | 1.03 | 26.16 | | | | | | |
| | | 2 | | | | | | | | | | | | | | 2.03 | 51.56 | | | | | | |
| | | 3 | 3.03 | | | | 76.96 | | | | | | | | | | | | | | | | |
| | | 4 | 4.03 | | | | 102.36 | | | | | | | | | | | | | | | | |
| | 06 | 1 | 0.81 | | | | 20.62 | 1.00 | 25.40 | | | | | | | 1.03 | 26.16 | | | | | | |
| | | 2 | | | | | | | | | | | | | | 2.03 | 51.56 | | | | | | |
| | | 3 | | | | | | | | 3.03 | 76.96 | | | | | | | | | | | | |
| | | 4 | | | | | | | | 4.03 | 102.36 | | | | | | | | | | | | |

Table Continued

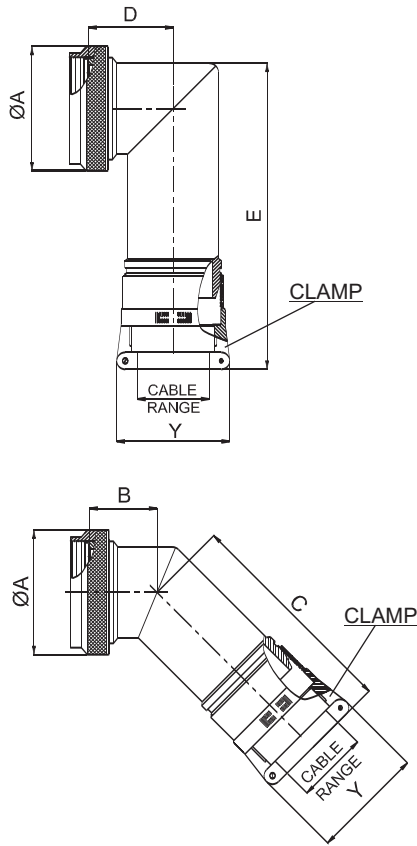


| TABLE - A | | | | | | | | | | | |
|---------------------------------|------------|--------|----------------------|-------------|-------|------|--------|---------|--------|---------|-------|
| AMPHENOL PART NUMBER DESIGNATOR | | | CONNECTOR SHELL SIZE | CABLE RANGE | | | | L (MAX) | | Y (MAX) | |
| SHELL SIZE | ENTRY SIZE | LENGTH | | MIN | | MAX | | INCH | MM | INCH | MM |
| | | | | INCH | MM | INCH | MM | | | | |
| 22 | 01 | 1 | 22 | 0.25 | 6.35 | 0.38 | 9.53 | 1.03 | 26.16 | 1.06 | 26.92 |
| | | 2 | | | | | | 2.03 | 51.56 | | |
| | | 3 | | | | | | 3.03 | 76.96 | | |
| | | 4 | | | | | | 4.03 | 102.36 | | |
| | 02 | 1 | | 0.31 | 7.92 | 0.50 | 12.70 | 1.03 | 26.16 | 1.16 | 29.46 |
| | | 2 | | | | | | 2.03 | 51.56 | | |
| | | 3 | | | | | | 3.03 | 76.96 | | |
| | | 4 | | | | | | 4.03 | 102.36 | | |
| | 03 | 1 | | 0.44 | 11.10 | 0.63 | 15.88 | 1.03 | 26.16 | 1.25 | 31.75 |
| | | 2 | | | | | | 2.03 | 51.56 | | |
| | | 3 | | | | | | 3.03 | 76.96 | | |
| | | 4 | | | | | | 4.03 | 102.36 | | |
| 22 | 04 | 1 | 22 | 0.56 | 14.27 | 0.75 | 19.05 | 1.03 | 26.16 | 1.38 | 35.05 |
| | | 2 | | | | | | 2.03 | 51.56 | | |
| | | 3 | | | | | | 3.03 | 76.96 | | |
| | | 4 | | | | | | 4.03 | 102.36 | | |
| | 05 | 1 | | 0.69 | 17.45 | 0.88 | 22.23 | 1.03 | 26.16 | 1.50 | 38.10 |
| | | 2 | | | | | | 2.03 | 51.56 | | |
| | | 3 | | | | | | 3.03 | 76.96 | | |
| | | 4 | | | | | | 4.03 | 102.36 | | |
| | 06 | 1 | | 0.81 | 20.62 | 1.00 | 25.40 | 1.03 | 26.16 | 1.63 | 41.40 |
| | | 2 | | | | | | 2.03 | 51.56 | | |
| | | 3 | | | | | | 3.03 | 76.96 | | |
| | | 4 | | | | | | 4.03 | 102.36 | | |
| 07 | 1 | 0.94 | 23.80 | 1.13 | 28.58 | 1.03 | 26.16 | 1.75 | 44.45 | | |
| | 2 | | | | | 2.03 | 51.56 | | | | |
| | 3 | | | | | 3.03 | 76.96 | | | | |
| | 4 | | | | | 4.03 | 102.36 | | | | |
| 24 | 01 | 1 | 24 | 0.31 | 7.92 | 0.50 | 12.70 | 1.03 | 26.16 | 1.16 | 29.46 |
| | | 2 | | | | | | 2.03 | 51.56 | | |
| | | 3 | | | | | | 3.03 | 76.96 | | |
| | | 4 | | | | | | 4.03 | 102.36 | | |
| | 02 | 1 | | 0.44 | 11.10 | 0.63 | 15.88 | 1.03 | 26.16 | 1.25 | 31.75 |
| | | 2 | | | | | | 2.03 | 51.56 | | |
| | | 3 | | | | | | 3.03 | 76.96 | | |
| | | 4 | | | | | | 4.03 | 102.36 | | |
| | 03 | 1 | | 0.56 | 14.27 | 0.75 | 19.05 | 1.03 | 26.16 | 1.38 | 35.05 |
| | | 2 | | | | | | 2.03 | 51.56 | | |
| | | 3 | | | | | | 3.03 | 76.96 | | |
| | | 4 | | | | | | 4.03 | 102.36 | | |
| | 04 | 1 | | 0.69 | 17.45 | 0.88 | 22.23 | 1.03 | 26.16 | 1.50 | 38.10 |
| | | 2 | | | | | | 2.03 | 51.56 | | |
| | | 3 | | | | | | 3.03 | 76.96 | | |
| | | 4 | | | | | | 4.03 | 102.36 | | |
| | 05 | 1 | | 0.81 | 20.62 | 1.00 | 25.40 | 1.03 | 26.16 | 1.63 | 41.40 |
| | | 2 | | | | | | 2.03 | 51.56 | | |
| | | 3 | | | | | | 3.03 | 76.96 | | |
| | | 4 | | | | | | 4.03 | 102.36 | | |
| | 06 | 1 | | 0.94 | 23.80 | 1.13 | 28.58 | 1.03 | 26.16 | 1.75 | 44.45 |
| | | 2 | | | | | | 2.03 | 51.56 | | |
| | | 3 | | | | | | 3.03 | 76.96 | | |
| | | 4 | | | | | | 4.03 | 102.36 | | |
| 07 | 1 | 1.06 | 26.97 | 1.25 | 31.75 | 1.03 | 26.16 | 1.88 | 47.75 | | |
| | 2 | | | | | 2.03 | 51.56 | | | | |
| | 3 | | | | | 3.03 | 76.96 | | | | |
| | 4 | | | | | 4.03 | 102.36 | | | | |

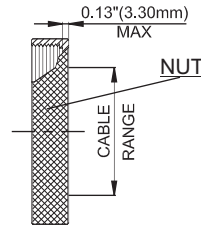
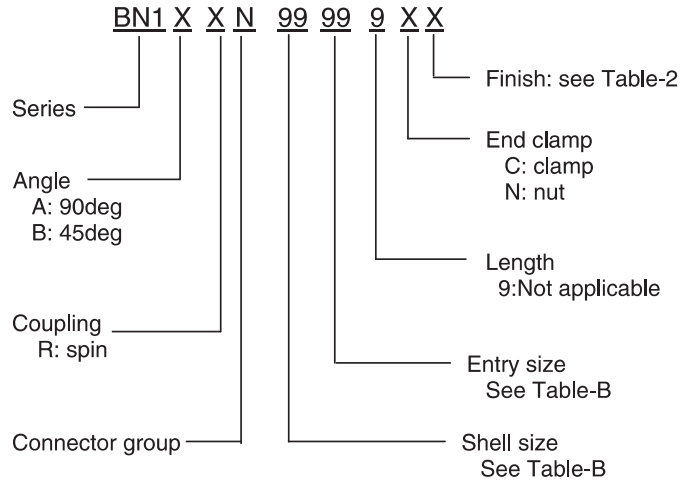


Connector Group - N

90°, 45°



Amphenol Part Number



NOTE: * For more cable entry options, contact factory

TABLE - B

| AMPHENOL PART NUMBER DESIGNATOR | | CONNECTOR SHELL SIZE | CABLE RANGE | | | | A DIA. (MAX) | | B (MAX) | | C (MAX) | | D (MAX) | | E (MAX) | | Y (MAX) | |
|---------------------------------|------------|----------------------|-------------|-------|------|-------|--------------|-------|---------|-------|---------|-------|---------|-------|---------|-------|---------|-------|
| SHELL SIZE | ENTRY SIZE | | MIN | | MAX | | INCH | MM | INCH | MM | INCH | MM | INCH | MM | INCH | MM | INCH | MM |
| | | | INCH | MM | INCH | MM | | | | | | | | | | | | |
| 08 | 01 | 8 | 0.06 | 1.57 | 0.13 | 3.18 | 0.75 | 19.05 | 0.46 | 11.68 | 3.15 | 80.01 | 0.69 | 17.53 | 3.46 | 87.88 | 0.78 | 19.81 |
| | 02 | | 0.13 | 3.18 | 0.25 | 6.35 | | | | | | | | | | | 0.97 | 24.64 |
| 10 | 01 | 10 | 0.06 | 1.57 | 0.13 | 3.18 | 0.85 | 21.59 | 0.52 | 13.21 | 3.21 | 81.53 | 0.78 | 19.81 | 3.58 | 90.93 | 0.78 | 19.81 |
| | 02 | | 0.13 | 3.18 | 0.25 | 6.35 | | | | | | | | | | | 0.97 | 24.64 |
| | 03 | | 0.25 | 6.35 | 0.38 | 9.53 | | | | | | | | | | | 1.06 | 26.92 |
| 12 | 01 | 12 | 0.13 | 3.18 | 0.25 | 6.35 | 1.00 | 25.40 | 0.58 | 14.73 | 3.27 | 83.06 | 0.80 | 20.32 | 3.60 | 91.44 | 0.97 | 24.64 |
| | 02 | | 0.25 | 6.35 | 0.38 | 9.53 | | | | | | | | | | | 1.06 | 26.92 |
| | 03 | | 0.31 | 7.92 | 0.50 | 12.70 | | | | | | | | | | | 1.16 | 29.46 |
| 14 | 01 | 14 | 0.13 | 3.18 | 0.25 | 6.35 | 1.15 | 29.21 | 0.65 | 16.51 | 3.36 | 85.34 | 0.88 | 22.35 | 3.67 | 93.22 | 0.97 | 24.64 |
| | 02 | | 0.25 | 6.35 | 0.38 | 9.53 | | | | | | | | | | | 1.06 | 26.92 |
| | 03 | | 0.31 | 7.92 | 0.50 | 12.70 | | | | | | | | | | | 1.16 | 29.46 |
| | 04 | | 0.44 | 11.10 | 0.63 | 15.88 | | | | | | | | | | | 1.25 | 31.75 |
| 16 | 01 | 16 | 0.13 | 3.18 | 0.25 | 6.35 | 1.25 | 31.75 | 0.74 | 18.80 | 3.47 | 88.14 | 0.93 | 23.62 | 3.76 | 95.50 | 0.97 | 24.64 |
| | 02 | | 0.25 | 6.35 | 0.38 | 9.53 | | | | | | | | | | | 1.06 | 26.92 |

Table Continued

Amphenol Non - Environmental Backshell

Connector Group - N

90°, 45°

| TABLE - B | | | | | | | | | | | | | | | | | | |
|------------|------------|----------------------|-------------|-------|------|-------|--------------|-------|---------|-------|---------|-------|---------|-------|---------|--------|---------|-------|
| SHELL SIZE | ENTRY SIZE | CONNECTOR SHELL SIZE | CABLE RANGE | | | | A DIA. (MAX) | | B (MAX) | | C (MAX) | | D (MAX) | | E (MAX) | | Y (MAX) | |
| | | | MIN | | MAX | | INCH | MM | INCH | MM | INCH | MM | INCH | MM | INCH | MM | INCH | MM |
| | | | INCH | MM | INCH | MM | | | | | | | | | | | | |
| 16 | 03 | 16 | 0.31 | 7.92 | 0.50 | 12.70 | 1.25 | 31.75 | 0.74 | 18.80 | 3.47 | 88.14 | 0.93 | 23.62 | 3.76 | 95.50 | 1.16 | 29.46 |
| | 04 | | 0.44 | 11.10 | 0.63 | 15.88 | | | | | | | | | | | 1.25 | 31.75 |
| | 05 | | 0.56 | 14.27 | 0.75 | 19.05 | | | | | | | | | | | 1.38 | 35.05 |
| 18 | 01 | 18 | 0.25 | 6.35 | 0.38 | 9.53 | 1.40 | 35.56 | 0.93 | 23.62 | 3.66 | 92.96 | 1.01 | 25.65 | 3.93 | 99.82 | 1.06 | 26.92 |
| | 02 | | 0.31 | 7.92 | 0.50 | 12.70 | | | | | | | | | | | 1.16 | 29.46 |
| | 03 | | 0.44 | 11.10 | 0.63 | 15.88 | | | | | | | | | | | 1.25 | 31.75 |
| | 04 | | 0.56 | 14.27 | 0.75 | 19.05 | | | | | | | | | | | 1.38 | 35.05 |
| | 05 | | 0.69 | 17.45 | 0.88 | 22.23 | | | | | | | | | | | 1.50 | 38.10 |
| 20 | 01 | 20 | 0.25 | 6.35 | 0.38 | 9.53 | 1.55 | 39.37 | 0.93 | 23.62 | 3.66 | 92.96 | 1.06 | 26.92 | 3.93 | 99.82 | 1.06 | 26.92 |
| | 02 | | 0.31 | 7.92 | 0.50 | 12.70 | | | | | | | | | | | 1.16 | 29.46 |
| | 03 | | 0.44 | 11.10 | 0.63 | 15.88 | | | | | | | | | | | 1.25 | 31.75 |
| | 04 | | 0.56 | 14.27 | 0.75 | 19.05 | | | | | | | | | | | 1.38 | 35.05 |
| | 05 | | 0.69 | 17.45 | 0.88 | 22.23 | | | | | | | | | | | 1.50 | 38.10 |
| | 06 | | 0.81 | 20.62 | 1.00 | 25.40 | | | | | | | | | | | 1.63 | 41.40 |
| 22 | 01 | 22 | 0.25 | 6.35 | 0.38 | 9.53 | 1.65 | 41.91 | 1.02 | 25.91 | 3.81 | 96.77 | 1.17 | 29.72 | 4.04 | 102.62 | 1.06 | 26.92 |
| | 02 | | 0.31 | 7.92 | 0.50 | 12.70 | | | | | | | | | | | 1.16 | 29.46 |
| | 03 | | 0.44 | 11.10 | 0.63 | 15.88 | | | | | | | | | | | 1.25 | 31.75 |
| | 04 | | 0.56 | 14.27 | 0.75 | 19.05 | | | | | | | | | | | 1.38 | 35.05 |
| | 05 | | 0.69 | 17.45 | 0.88 | 22.23 | | | | | | | | | | | 1.50 | 38.10 |
| | 06 | | 0.81 | 20.62 | 1.00 | 25.40 | | | | | | | | | | | 1.63 | 41.40 |
| | 07 | | 0.94 | 23.80 | 1.13 | 28.58 | | | | | | | | | | | 1.75 | 44.45 |
| 24 | 01 | 24 | 0.31 | 7.92 | 0.50 | 12.70 | 1.85 | 46.99 | 1.02 | 25.91 | 3.81 | 96.77 | 1.18 | 29.97 | 4.04 | 102.62 | 1.16 | 29.46 |
| | 02 | | 0.44 | 11.10 | 0.63 | 15.88 | | | | | | | | | | | 1.25 | 31.75 |
| | 03 | | 0.56 | 14.27 | 0.75 | 19.05 | | | | | | | | | | | 1.38 | 35.05 |
| | 04 | | 0.69 | 17.45 | 0.88 | 22.23 | | | | | | | | | | | 1.50 | 38.10 |
| | 05 | | 0.81 | 20.62 | 1.00 | 25.40 | | | | | | | | | | | 1.63 | 41.40 |
| | 06 | | 0.94 | 23.80 | 1.13 | 28.58 | | | | | | | | | | | 1.75 | 44.45 |
| | 07 | | 1.06 | 26.97 | 1.25 | 31.75 | | | | | | | | | | | 1.88 | 47.75 |

