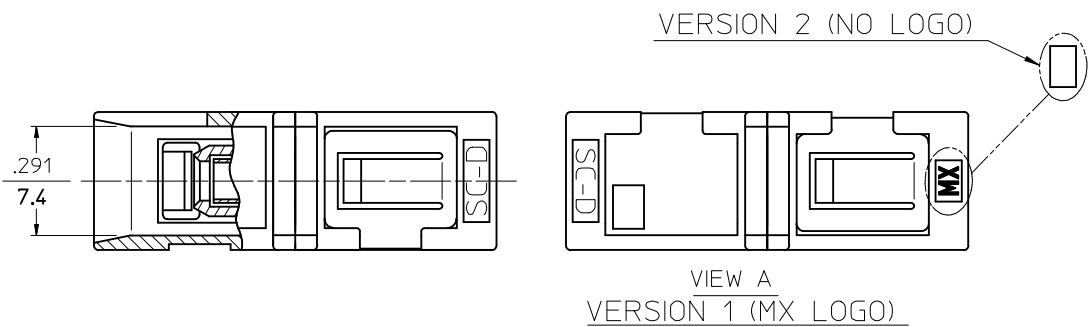
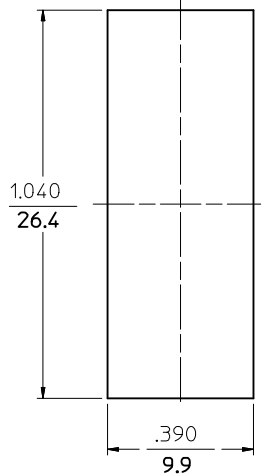
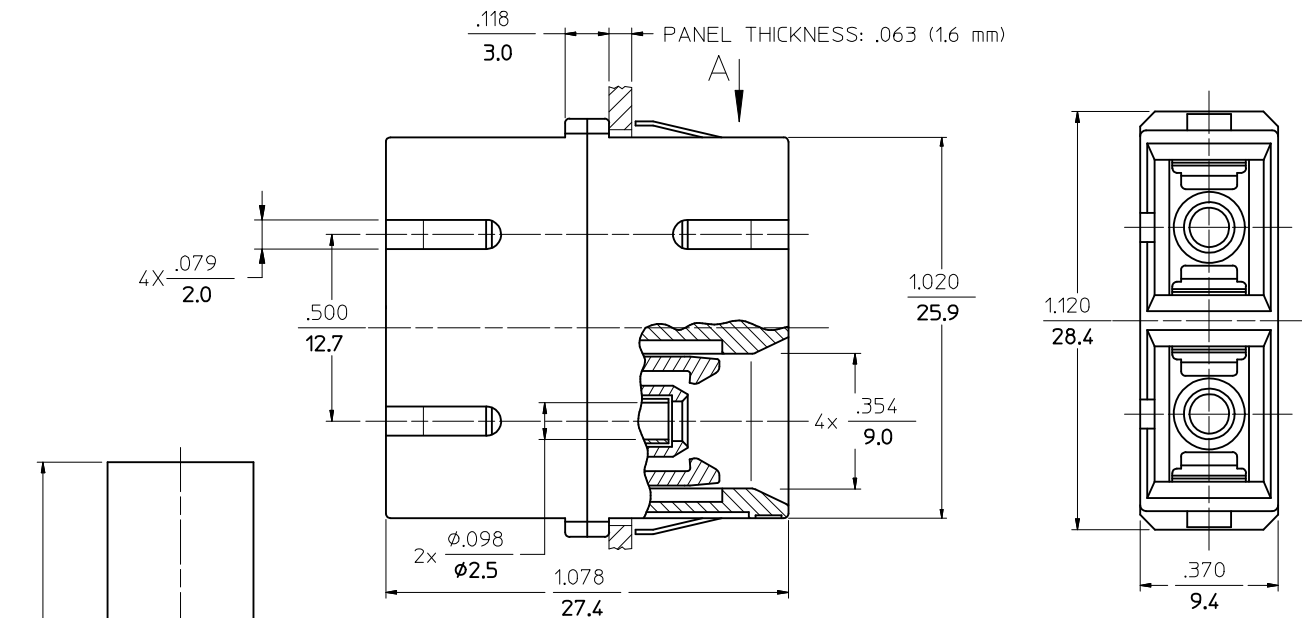


10	9	8	7	6	5	4	3	2	1	
P/N OF ADAPTER	MATERIAL OF SLEEVE	TYPE	COLOR	LOGO						
106166-0100	Zr	SINGLE MODE	BLUE	MX						
106166-0103	Zr									
106166-0120	Zr									
106167-0100	PHOSPHOR BRONZE									
*106167-0185										
106166-0110	Zr	MULTIMODE	BEIGE							
106167-0110	PHOSPHOR BRONZE		AQUA							
106167-0180	Zr		BLACK							
106167-0130	PHOSPHOR BRONZE									
106166-0140	Zr	SINGLE MODE	RED							
106167-0140	PHOSPHOR BRONZE									
106166-0150	Zr	APC	GREEN							
106166-0152										
*106166-0191	PHOSPHOR BRONZE									
*106166-0185	Zr	SINGLE MODE	BLUE	NONE						
*106166-0190	Zr	SINGLE MODE	BLUE	NONE						
*106167-9110	PHOSPHOR BRONZE	MULTIMODE	AQUA	MX						
*106167-0190			BEIGE	NONE						
*106167-0200										



NOTES:
 1. P/NS STARTING WITH THE (*) ARE BULK PACKED IN QUANTITIES OF 100pcs.
 2. DUST CAPS ARE NOT SHOWN BUT INCLUDED.

ENTER DESCRIPTION EC NO: MF2010-0028 DR: DRWANKPEVZNER CHKD: 2009/07/23 APPR: LGUMIN 2009/07/27	QUALITY SYMBOLS ▽=0 ▽=0	GENERAL TOLERANCES (UNLESS SPECIFIED) mm INCH 4 PLACES ± --- ± --- 3 PLACES ± --- ± --- 2 PLACES ± --- ± --- 1 PLACE ± --- ± --- ANGULAR ±1/2°	DIMENSION STYLE IN/MM DRAWN BY: PGIBL IN DATE: 2005/10/07 CHECKED BY: DATE:	SCALE: 1:1 DESIGN UNITS: INCH THIRD ANGLE PROJECTION	TITLE: DUPLEX ADAPTER (SC-D, FLANGELESS)	
	DRAFT WHERE APPLICABLE MUST REMAIN WITHIN DIMENSIONS		APPROVED BY: DATE:	MATERIAL NO.: SEE TABLE DOCUMENT NO.: SD-10616Y-01Y0	SHEET NO.: 1 OF 1	
	MOLEX INCORPORATED			THIS DRAWING CONTAINS INFORMATION THAT IS PROPRIETARY TO MOLEX INCORPORATED AND SHOULD NOT BE USED WITHOUT WRITTEN PERMISSION		
	Molex logo and company name.					