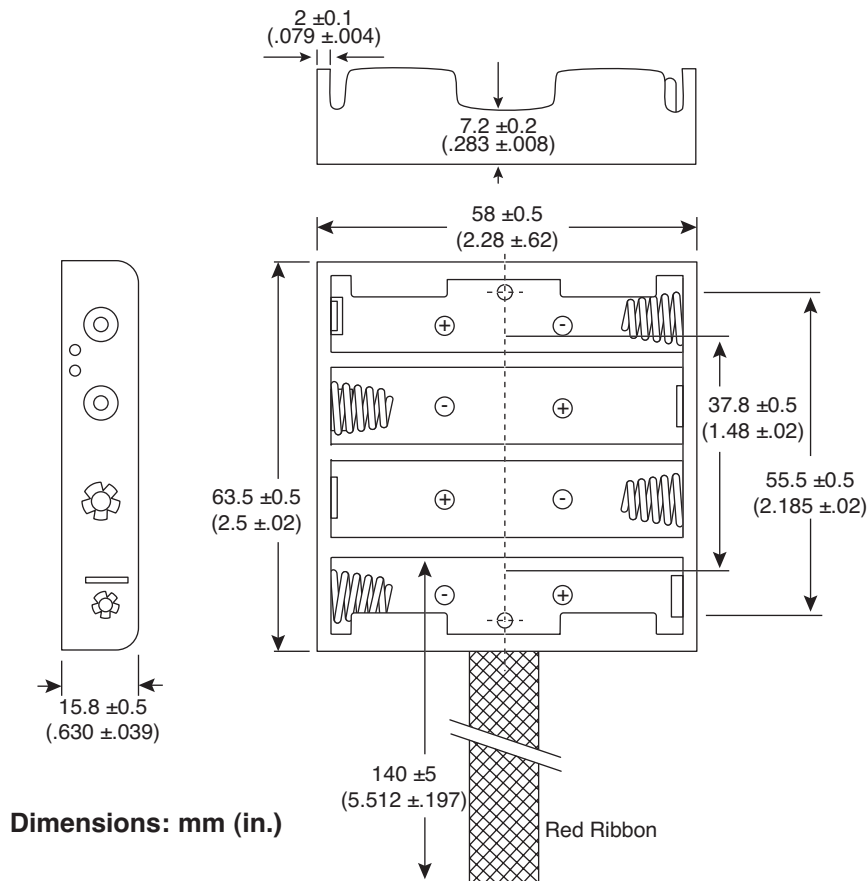
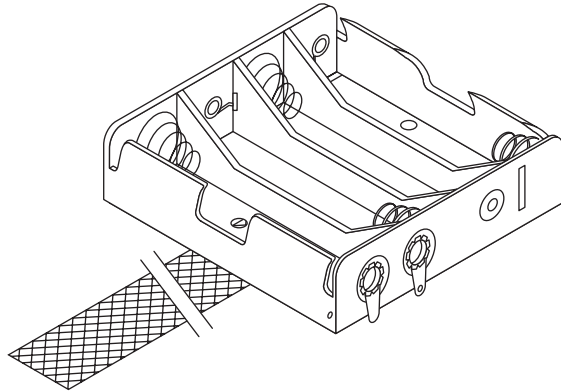


Date Last Revised: 6-6-07



## SPECIFICATIONS

<b>Holds:</b>	4 "AA" Cells
<b>Termination:</b>	Solder Lugs
<b>Body:</b>	PP Resin
<b>Spring:</b>	0.7mm 65C Spring Wire
<b>Color:</b>	Black
RoHS Compliant	

Available from Mouser Electronics  
1-800-346-6873 / [www.mouser.com](http://www.mouser.com)

EPD-200571