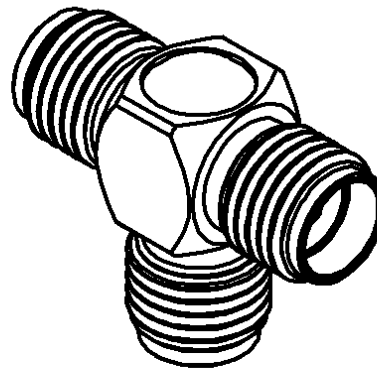
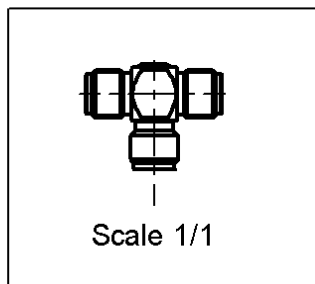
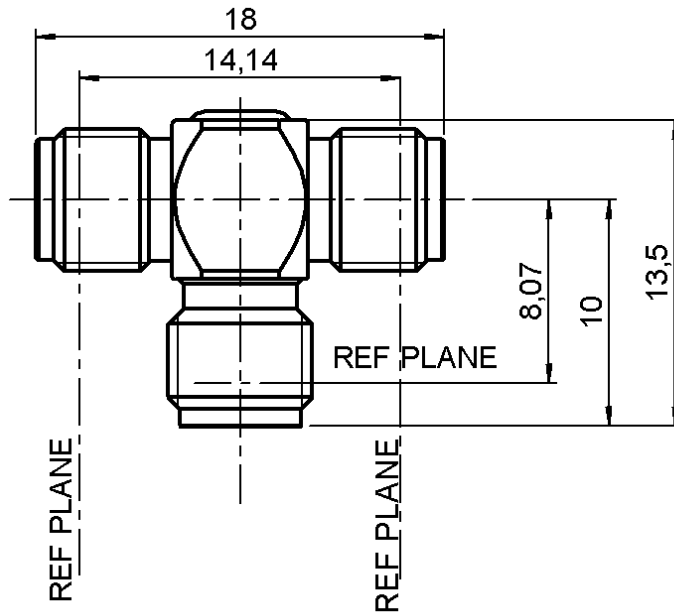


TEE FEMALE- FEMALE - FEMALE ADAPTOR

R125.781.001

Series : SMA



All dimensions are in mm.

COMPONENTS	MATERIALS	PLATING
BODY	STAINLESS STEEL	PASSIVATED . μm
CENTRE CONTACT	BERYLLIUM COPPER	GOLD 1.3 OVER NICKEL 2 μm
OUTER CONTACT	-	- μm
INSULATOR	PTFE	
GASKET	-	
OTHERS PARTS	-	- μm
-	-	-
-	-	-



Edition : 9904 E

Design changes may be in order to improve the product.

TEE FEMALE- FEMALE - FEMALE ADAPTOR

R125.781.001

Series : SMA

ELECTRICAL CHARACTERISTICS

Impedance		50 Ω
Frequency		0-18 GHz
VSWR	NA +	0.000 x F(GHz) Maxi
Insertion loss		0.07 √F(GHz) dB Maxi
RF leakage	- (100 - F(GHz)) dB mini
Voltage rating		500 Veff Maxi
Dielectric withstanding voltage		1000 Veff mini
Insulation resistance		5000 MΩ mini

SPECIFICATION

ENVIRONMENTAL

Operating temperature	-65/+165 °C
Hermetic seal	NA Atm.cm3/s
Leakage – pressurised only	NA Mpa

OTHERS CHARACTERISTICS

Assembly instruction **NA**

Others :
-

MECHANICAL CHARACTERISTICS

Centre contact retention		
Axial force – Mating end		27 N mini
Axial force – Opposite end		27 N mini
Torque		2.8 N.cm mini
Recommended torque		
Mating		NA N.cm
Panel nut		NA N.cm
Mating life		500 Cycles mini
Weight		0.000 g



Edition : 9904 E

Design changes may be in order to improve the product.