



## Main

Range of product	Magelis SCU
Product or component type	Small touchscreen display HMI
Display size	3.5 inch
Pixel resolution	320 x 240 pixels QVGA

## Complementary

Display type	Colour TFT LCD backlit LED
Touch panel	Analogue
Backlight lifespan	50000 hours with 65536 colours
Brightness	16 levels via touch panel
View angle horiz x vert	60° left 60° right 40° top 60° bottom
Character font	ASCII Chinese (simplified Chinese) Japanese (ANK, Kanji) Korean Taiwanese (traditional Chinese)
Width	3.84 in (97.6 mm)
Depth	3.15 in (80 mm)
Product weight	1.17 lb(US) (0.53 kg)

## Environment

### Offer Sustainability

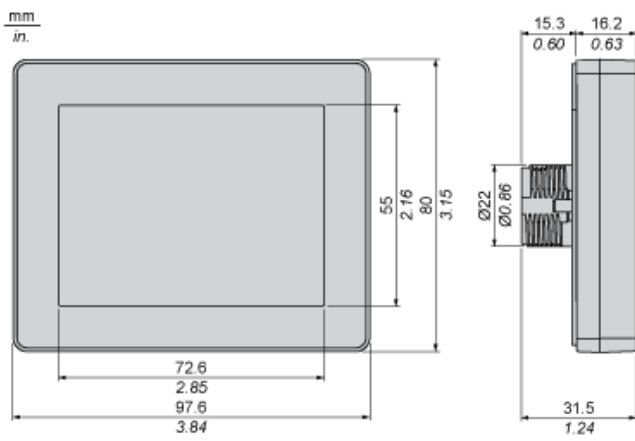
Not Green Premium product	Not Green Premium product
Compliant - since 1350 - Schneider Electric declaration of conformity	Compliant - since 1350 - Schneider Electric declaration of conformity
Reference not containing SVHC above the threshold	Reference not containing SVHC above the threshold
WARNING: This product can expose you to chemicals including:	WARNING: This product can expose you to chemicals including:
Lead and lead compounds, which is known to the State of California to cause cancer and birth defects or other reproductive harm.	Lead and lead compounds, which is known to the State of California to cause cancer and birth defects or other reproductive harm.
For more information go to <a href="http://www.p65warnings.ca.gov">www.p65warnings.ca.gov</a>	For more information go to <a href="http://www.p65warnings.ca.gov">www.p65warnings.ca.gov</a>

### Contractual warranty

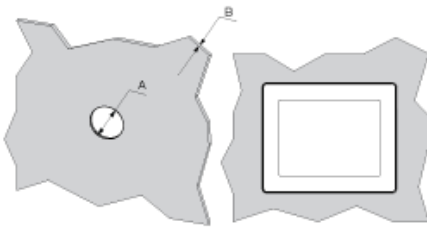
Warranty period	18 months
-----------------	-----------

## Dimensions of 3.5-inches Display Module

The information provided in this documentation contains general descriptions and/or technical characteristics of the products contained herein. This documentation is not intended as a substitute for and is not to be used for determining suitability or reliability of these products for specific user applications. It is the duty of any such user or integrator to perform the appropriate and complete risk analysis, evaluation and testing of the products with respect to the relevant specific application or use thereof. Neither Schneider Electric Industries SAS nor any of its affiliates or subsidiaries shall be responsible or liable for misuse of the information contained herein.

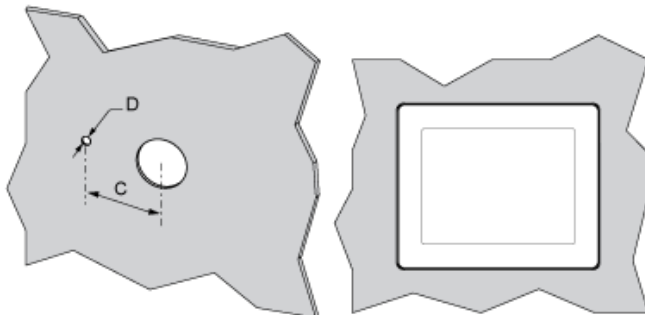


### Mounting Without an Anti-Rotation Tee



A	B (1)	B (2)
22.50 <sup>0/-0.30</sup> mm (0.88 <sup>0/-0.01</sup> in.)	1.5...6 mm (0.06...0.23 in.)	3...6 mm (0.11...0.23 in.)

### Mounting With an Anti-Rotation Tee



C	D
30 <sup>0/-0.20</sup> mm (1.18 <sup>0/-0.0007</sup> in.)	4 <sup>0/-0.20</sup> mm (0.15 <sup>0/-0.007</sup> in.)