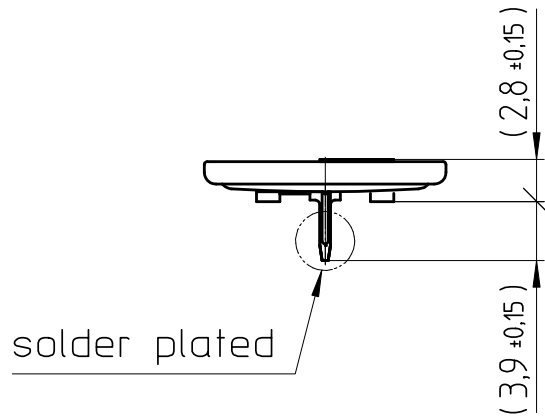
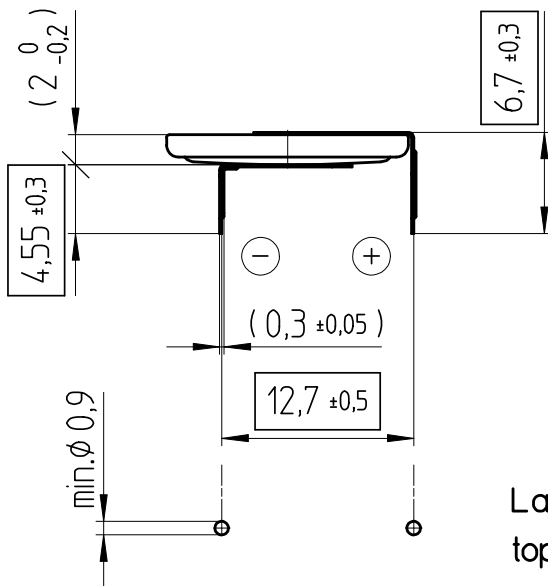
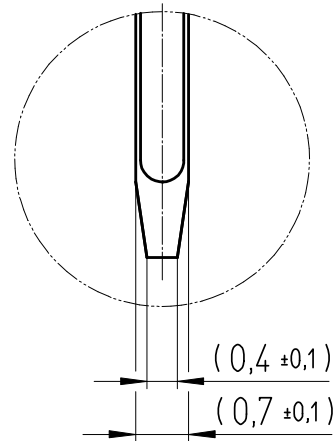
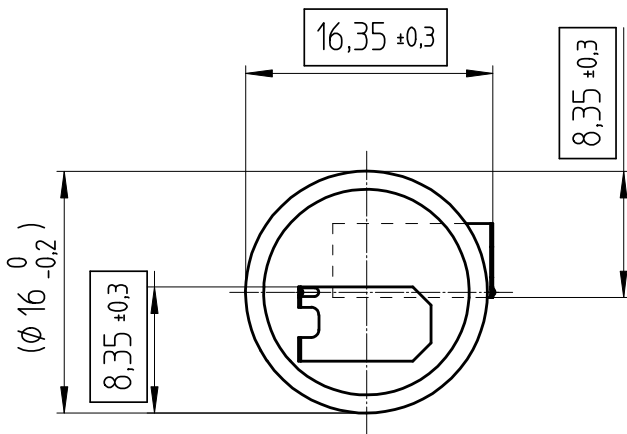


Art.-Number: 701067



Layout  
top view

- Samples can deviate in the execution from the serie.

Tab material: Stainless steel

All framed values will be used for dimension checking !

- Dimensions and tolerances can be specified only after the testing of the devices for the mass production definitely

Rev.	<input type="radio"/>			Rev.	<input type="radio"/>				Customer's Approval		
Rev.	<input type="radio"/>			Rev.	<input type="radio"/>				Date		
Rev.	<input type="radio"/>			Rev.	<input type="radio"/>				Signature		
Titel:								Scale 2:1	Drawn	22.12.04	SRi
CR1620FH-LF									Checked	07.02.05	MHo
									Approved		
				CH-4452 Itingen Switzerland				3.8704.4-			