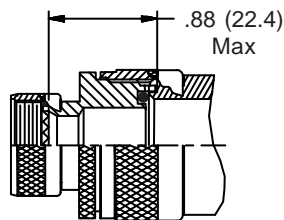
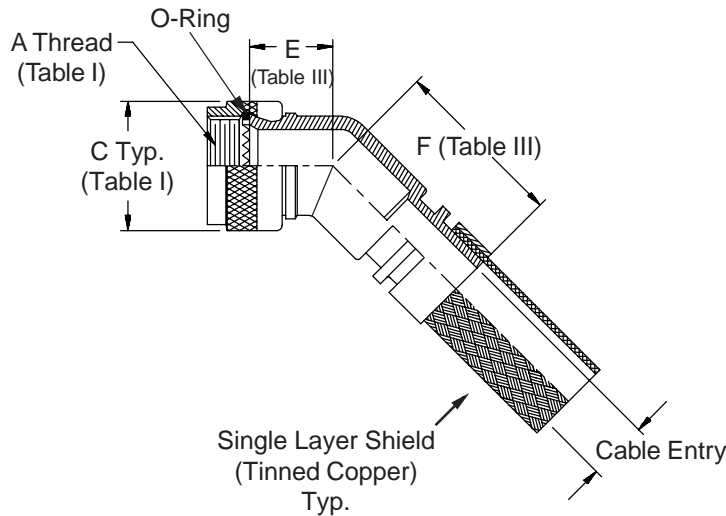
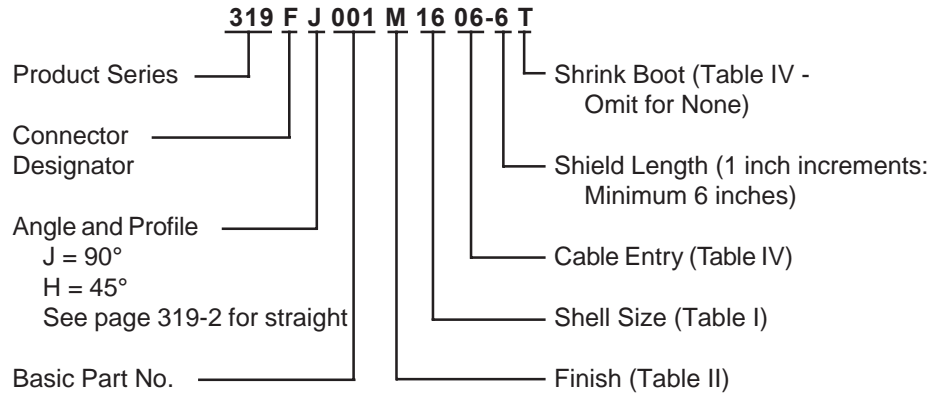


**CONNECTOR
 DESIGNATORS
 A-F-H-L-S
 ROTATABLE
 COUPLING**



STYLE 2
 (45° & 90°
 See Note 5)

-445 Now Available with the "NESTOR"

Glenair's Non-Detent, Spring-Loaded, Self-Locking Coupling.
 Add "-445" to Specify This AS85049 Style "N" Coupling Interface.

319-001
EMI/RFI Shield Sock Shrink Boot Adapter
 with Optional Shrink Boot
 Standard Profile - Rotatable Coupling



See inside back cover fold-out or pages 13 and 14 for unabridged Tables I and II.

| TABLE III: DIMENSIONS | | | | | | | | | |
|-----------------------|----|-------|--------|-------|--------|-------|--------|-------|--------|
| Shell Size | | E | | F | | G | | H | |
| Conn. Desig. | H | Max | | Max | | Max | | Max | |
| A-F-L-S | | | | | | | | | |
| 08 | 09 | .830 | (21.1) | 1.045 | (26.5) | .940 | (23.9) | 1.155 | (29.3) |
| 10 | 11 | .860 | (21.8) | 1.075 | (27.3) | 1.010 | (25.7) | 1.225 | (31.1) |
| 12 | 13 | .882 | (22.4) | 1.097 | (27.9) | 1.070 | (27.2) | 1.285 | (32.6) |
| 14 | 15 | .900 | (22.9) | 1.125 | (28.6) | 1.130 | (28.7) | 1.345 | (34.2) |
| 16 | 17 | .930 | (23.6) | 1.145 | (29.1) | 1.190 | (30.2) | 1.405 | (35.7) |
| 18 | 19 | .950 | (24.1) | 1.165 | (29.6) | 1.240 | (31.5) | 1.455 | (37.0) |
| 20 | 21 | .980 | (24.9) | 1.195 | (30.4) | 1.310 | (33.3) | 1.525 | (38.7) |
| 22 | 23 | 1.000 | (25.4) | 1.215 | (30.9) | 1.360 | (34.5) | 1.575 | (40.0) |
| 24 | 25 | 1.030 | (26.2) | 1.245 | (31.6) | 1.430 | (36.3) | 1.645 | (41.8) |

| TABLE IV: CABLE ENTRY/SHRINK BOOT | | |
|-----------------------------------|--------------|---------------|
| Dash No. | Cable Entry | Shrink Boot * |
| 01 | .188 (4.8) | n/a |
| 02 | .250 (6.4) | n/a |
| 03 | .312 (7.9) | 202K121-25-0 |
| 04 | .375 (9.5) | 202K121-25-0 |
| 05 | .438 (11.1) | 202K121-25-0 |
| 06 | .500 (12.7) | 202K132-25-0 |
| 07 | .562 (14.3) | 202K132-25-0 |
| 08 | .625 (15.9) | 202K132-25-0 |
| 09 | .688 (17.5) | 202K142-25-0 |
| 10 | .750 (19.1) | 202K142-25-0 |
| 11 | .812 (20.6) | 202K142-25-0 |
| 12 | .875 (22.2) | 202K153-25-0 |
| 13 | .938 (23.8) | 202K153-25-0 |
| 14 | 1.000 (25.4) | 202K153-25-0 |
| 15 | 1.250 (31.8) | 202K163-25-0 |
| 16 | 1.500 (38.1) | 202K174-25-0 |
| 17 | 1.750 (44.5) | n/a |
| 18 | 2.000 (50.8) | n/a |
| 19 | 1.125 (28.6) | n/a |
| 20 | 1.375 (34.9) | n/a |
| 21 | 1.625 (41.3) | n/a |
| 22 | 1.062 (27.0) | n/a |
| 23 | 1.188 (30.2) | n/a |
| 24 | 1.875 (47.6) | n/a |

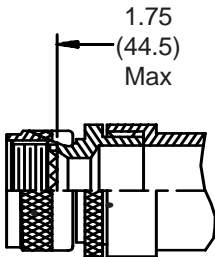
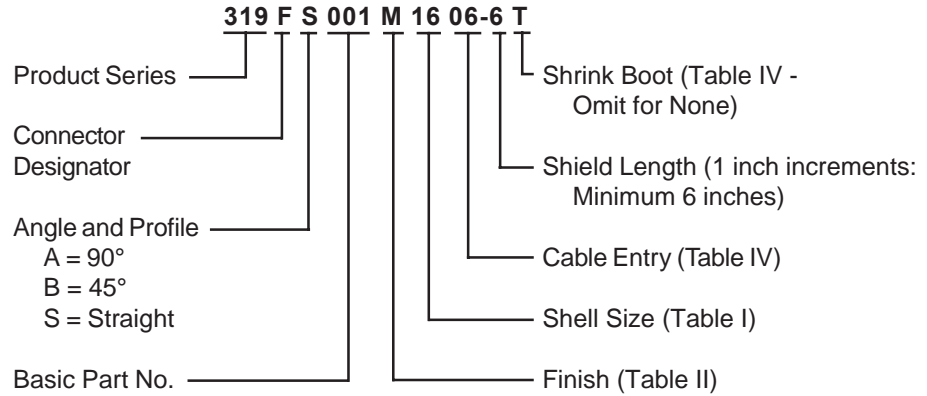
* Raychem Shrink Boot Supplied with "T" Option (see Part Number Development)

1. Cable Entry is defined as the accommodation range for the wire bundle or cable. Dimensions shown are not intended for inspection criteria.
2. See Shrink Boot Reference Information (page 40).
3. Metric dimensions (mm) are indicated in parentheses.
4. O-Ring not supplied with Connector Designator A.
5. When maximum entry (page 21) is exceeded, Style 2 will be supplied. Dimensions E, F, G, & H will not apply. Please consult factory.

| TABLE II: STANDARD FINISHES | |
|-----------------------------|---|
| GLENAIR SYMBOL | FINISH |
| B | Cadmium Plate, Olive Drab |
| M | Electroless Nickel |
| NF | Cadmium Plate, Olive Drab Over Electroless Nickel |

See Back Cover for Complete Finish Information and Additional Finish Options

**CONNECTOR
 DESIGNATORS
 A-F-H-L-S
 ROTATABLE
 COUPLING**



**STYLE 2
 (STRAIGHT
 See Note 5)**



**STYLE 2
 (45° & 90°
 See Note 5)**

-445 Now Available with the "NESTOR"
 Glenair's Non-Detent, Spring-Loaded, Self-Locking Coupling.
 Add "-445" to Specify This AS85049 Style "N" Coupling Interface.



319-001
EMI/RFI Shield Sock Shrink Boot Adapter
 with Optional Shrink Boot
 Low Profile - Rotatable Coupling



See inside back cover fold-out or pages 13 and 14 for unabridged Tables I and II.

TABLE III: DIMENSIONS

| Shell Size | | E | | F | | G | | H | |
|------------|----------------|-------|--------|-------|--------|-------|--------|-------|--------|
| A-F-L-S | Conn. Desig. H | Max | (mm) | Max | (mm) | Max | (mm) | Max | (mm) |
| 08 | 09 | .457 | (11.6) | 1.710 | (43.4) | .500 | (12.7) | 1.730 | (43.9) |
| 10 | 11 | .520 | (13.2) | 1.770 | (45.0) | .595 | (15.1) | 1.850 | (47.0) |
| 12 | 13 | .582 | (14.8) | 1.830 | (46.5) | .610 | (15.5) | 1.870 | (47.5) |
| 14 | 15 | .645 | (16.4) | 1.920 | (48.8) | .700 | (17.8) | 1.940 | (49.3) |
| 16 | 17 | .738 | (18.7) | 2.030 | (51.6) | .885 | (22.5) | 2.030 | (51.6) |
| 18 | 19 | .926 | (23.5) | 2.220 | (56.4) | .975 | (24.8) | 2.200 | (55.9) |
| 20 | 21 | .926 | (23.5) | 2.220 | (56.4) | .975 | (24.8) | 2.200 | (55.9) |
| 22 | 23 | 1.020 | (25.9) | 2.370 | (60.2) | 1.125 | (28.6) | 2.310 | (58.7) |
| 24 | 25 | 1.020 | (25.9) | 2.370 | (60.2) | 1.125 | (28.6) | 2.310 | (58.7) |
| 28 | | 1.145 | (29.1) | 2.420 | (61.5) | 1.225 | (31.1) | 2.480 | (63.0) |
| 32 | | 1.207 | (30.7) | 2.520 | (64.0) | 1.575 | (40.0) | 2.730 | (69.3) |
| 36 | | 1.238 | (31.4) | 2.610 | (66.3) | 1.775 | (45.1) | 2.730 | (69.3) |

TABLE IV: CABLE ENTRY/SHRINK BOOT

| Dash No. | Cable Entry | Shrink Boot * |
|----------|--------------|---------------|
| 01 | .188 (4.8) | n/a |
| 02 | .250 (6.4) | n/a |
| 03 | .312 (7.9) | 202K121-25-0 |
| 04 | .375 (9.5) | 202K121-25-0 |
| 05 | .438 (11.1) | 202K121-25-0 |
| 06 | .500 (12.7) | 202K132-25-0 |
| 07 | .562 (14.3) | 202K132-25-0 |
| 08 | .625 (15.9) | 202K132-25-0 |
| 09 | .688 (17.5) | 202K142-25-0 |
| 10 | .750 (19.1) | 202K142-25-0 |
| 11 | .812 (20.6) | 202K142-25-0 |
| 12 | .875 (22.2) | 202K153-25-0 |
| 13 | .938 (23.8) | 202K153-25-0 |
| 14 | 1.000 (25.4) | 202K153-25-0 |
| 15 | 1.250 (31.8) | 202K163-25-0 |
| 16 | 1.500 (38.1) | 202K174-25-0 |
| 17 | 1.750 (44.5) | n/a |
| 18 | 2.000 (50.8) | n/a |
| 19 | 1.125 (28.6) | n/a |
| 20 | 1.375 (34.9) | n/a |
| 21 | 1.625 (41.3) | n/a |
| 22 | 1.062 (27.0) | n/a |
| 23 | 1.188 (30.2) | n/a |
| 24 | 1.875 (47.6) | n/a |

* Raychem Shrink Boot Supplied with "T" Option (see Part Number Development)

1. Cable Entry or range is defined as the accommodation range for the wire bundle or cable. Dimensions shown are not intended for inspection criteria.
2. See Shrink Boot Reference Information (page 40).
3. Metric dimensions (mm) are indicated in parentheses.
4. O-Ring not supplied with Connector Designator A.
5. When maximum entry (page 21) is exceeded, Style 2 will be supplied. Dimensions E, F, G, & H will not apply. Please consult factory.

TABLE II - STANDARD FINISHES

| GLENAIR | |
|---------|---|
| SYMBOL | FINISH |
| B | Cadmium Plate, Olive Drab |
| M | Electroless Nickel |
| NF | Cadmium Plate, Olive Drab Over Electroless Nickel |

See Back Cover for Complete Finish Information and Additional Finish Options