

12mm Insulated Shaft Rotary Encoder

Application

- ✓ Audio, Home appliance, Precision apparatus, Automotive, Communication, Industrial control, etc.



Feature

- ✓ Incremental Output Signal Encoder

■ Specification

Rotation Angle	360° endless
Rating	5V DC 0.5mA
Operating Temperature	-10 °C~70 °C
Rotational Torque	30 ~ 150 gf.cm
Rotational Life	15,000 cycles
Switch Circuit	S.P.S.T. (Push on)
Switch Stroke	0.5 mm
Switch Rating	5V DC 1mA
Switch Operating Force	200 ~ 460 gf.cm
Switch Operating Life	20,000 cycles

■ How to order

RE130F – 40 – 20F – 12P

[Model](#)

[Resolution](#)

Code	Model	Pulses	Detents
12P	RE130	12	12
24P	RE120	24	24

[Shaft](#)

Terminal Type

Code	Terminal type	Push Switch
40	Vertical	Without switch
41	Vertical	With switch


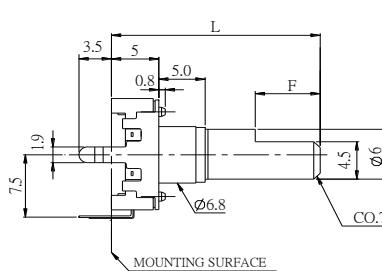
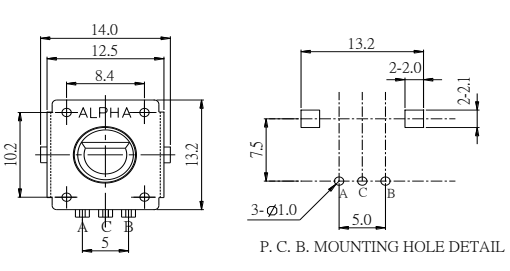

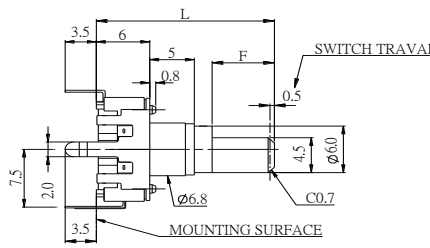
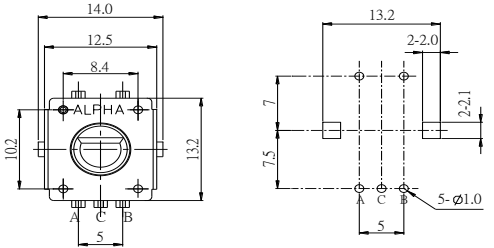

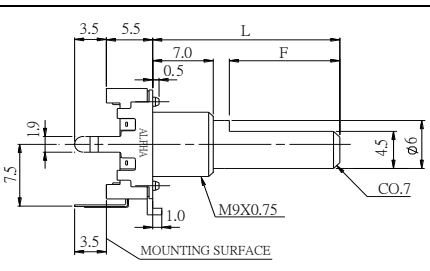
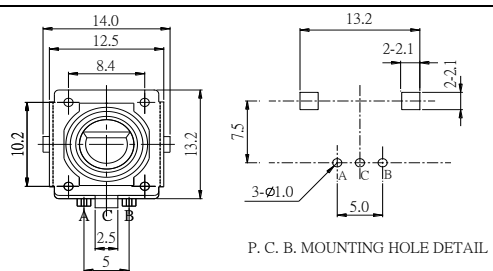
Code	Bushing Type (D)		Bushing Thread
None	∅6.8mm	5mm	Without thread
E3	∅9mm	7mm	With thread

E3 Just for Terminal code '40'

12mm Insulated Shaft Rotary Encoder

Model Description

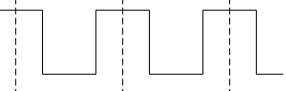
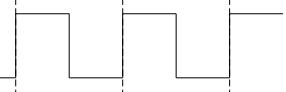
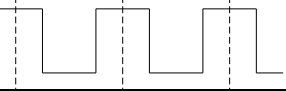
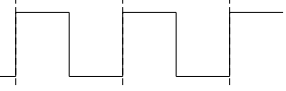
Model	Terminal Type	Push Switch	Bushing Type (D)		Bushing Thread
RE130F-40	Vertical	Without switch	Ø6.8mm	5mm	Without thread
RE120F-40	Vertical	Without switch	Ø6.8mm	5mm	Without thread
RE130F-41	Vertical	With switch	Ø6.8mm	5mm	Without thread
RE12CF-41	Vertical	With switch	Ø6.8mm	5mm	Without thread
RE130F-40E3	Vertical	Without switch	Ø9mm	7mm	With thread
RE120F-40E3	Vertical	Without switch	Ø9mm	7mm	With thread

Order Code	Outline Drawing																						
RE130F-40-(L)F-12P RE120F-40-(L)F-24P 	 <p>RE130F</p> <table border="1"> <tr> <td>L</td> <td>17.5</td> <td>20</td> <td>25</td> </tr> <tr> <td>F</td> <td>5</td> <td>7</td> <td>12</td> </tr> </table>  <p>RE120F</p> <table border="1"> <tr> <td>L</td> <td>17.5</td> <td>20</td> <td>22.5</td> <td>25</td> <td>30</td> </tr> <tr> <td>F</td> <td>5</td> <td>7</td> <td>7</td> <td>12</td> <td>12</td> </tr> </table>	L	17.5	20	25	F	5	7	12	L	17.5	20	22.5	25	30	F	5	7	7	12	12		
L	17.5	20	25																				
F	5	7	12																				
L	17.5	20	22.5	25	30																		
F	5	7	7	12	12																		
RE130F-41-(L)F-12P RE12CF-41-(L)F-24P 	 <p>RE130F</p> <table border="1"> <tr> <td>L</td> <td>17.5</td> <td>20</td> <td>25</td> <td>30</td> </tr> <tr> <td>F</td> <td>5</td> <td>7</td> <td>12</td> <td>12</td> </tr> </table>  <p>RE120F</p> <table border="1"> <tr> <td>L</td> <td>17.5</td> <td>20</td> <td>22.5</td> <td>25</td> <td>30</td> </tr> <tr> <td>F</td> <td>5</td> <td>7</td> <td>7</td> <td>12</td> <td>12</td> </tr> </table>	L	17.5	20	25	30	F	5	7	12	12	L	17.5	20	22.5	25	30	F	5	7	7	12	12
L	17.5	20	25	30																			
F	5	7	12	12																			
L	17.5	20	22.5	25	30																		
F	5	7	7	12	12																		
RE130F-40E3-(L)F-12P RE120F-40E3-(L)F-24P 	 <p>RE130F</p> <table border="1"> <tr> <td>L</td> <td>15</td> <td>17.5</td> <td>20</td> <td>25</td> </tr> <tr> <td>F</td> <td>7</td> <td>7</td> <td>12</td> <td>12</td> </tr> </table>  <p>RE120F</p> <table border="1"> <tr> <td>L</td> <td>15</td> <td>17.5</td> <td>20</td> <td>25</td> </tr> <tr> <td>F</td> <td>7</td> <td>7</td> <td>12</td> <td>12</td> </tr> </table>	L	15	17.5	20	25	F	7	7	12	12	L	15	17.5	20	25	F	7	7	12	12		
L	15	17.5	20	25																			
F	7	7	12	12																			
L	15	17.5	20	25																			
F	7	7	12	12																			

[Back to top](#)

12mm Insulated Shaft Rotary Encoder

■Resolution and Output Signal

Model	Resolution (Pulses/Rotation)	Detent Number	Output Signal Format		
			Shaft Rotational Direction	Signal	Output
RE130	12/360°	12	C.W.	A (Terminal A-C)	
				B (Terminal B-C)	
RE120	24/360°	24	C.W.	A (Terminal A-C)	
				B (Terminal B-C)	

Design and specifications presented here are for the standard parts only. Please kindly contact us for your special requests and ask for the current technical specifications before purchase and/or use.

[Back to top](#)

Mouser Electronics

Authorized Distributor

Click to View Pricing, Inventory, Delivery & Lifecycle Information:

[Alpha \(Taiwan\):](#)

[RE130F-41-175F-12P](#) [RE130F-40-20F-12P](#) [RE130F-40E3-15F-12P-037](#) [RE12CF-41-20F-24P](#)