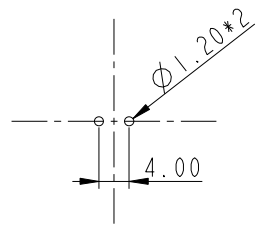


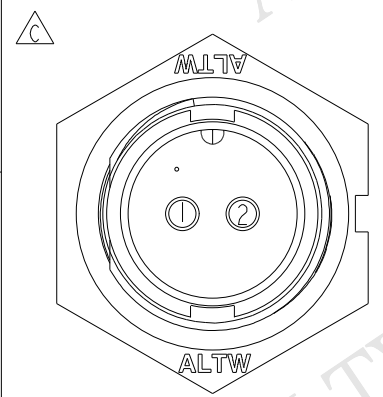
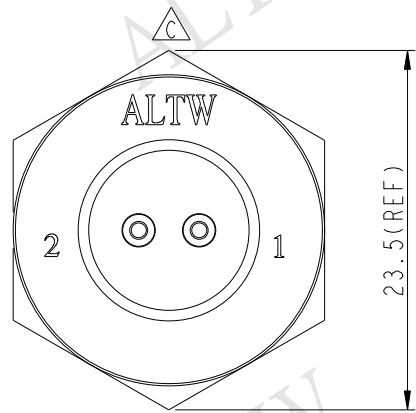
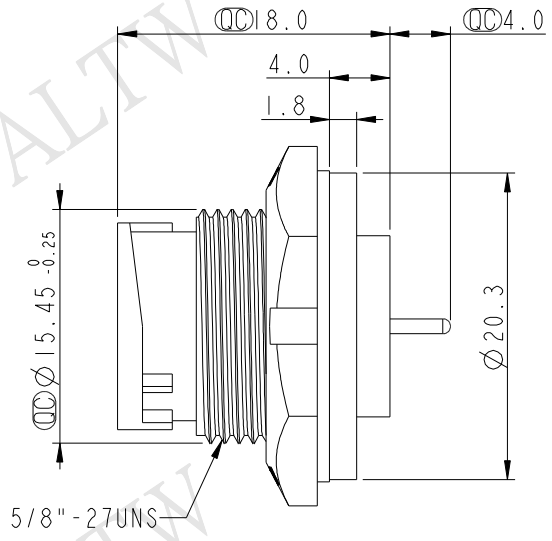
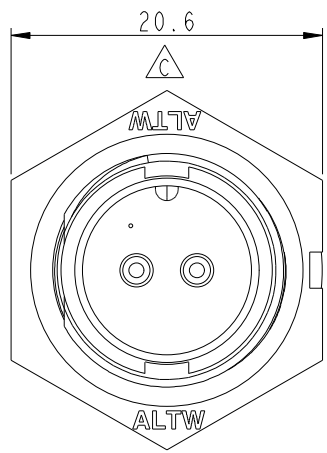
REV.	ECN NO.	DATE	SIGN	DESCRIPTION
B	LEN-8B0363	2008/09/17	Shin	Add Note
C	LEN1540245	2014/12/23	Jinhai	Change Logo

ALTW
CONFIDENTIAL
 2014-12-23
 R&D DEPT.

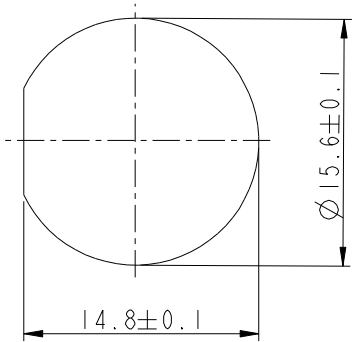
ALTW
 DCC. DEPT.
 CONFIDENTIAL
 2015.05.04
 ISSUED



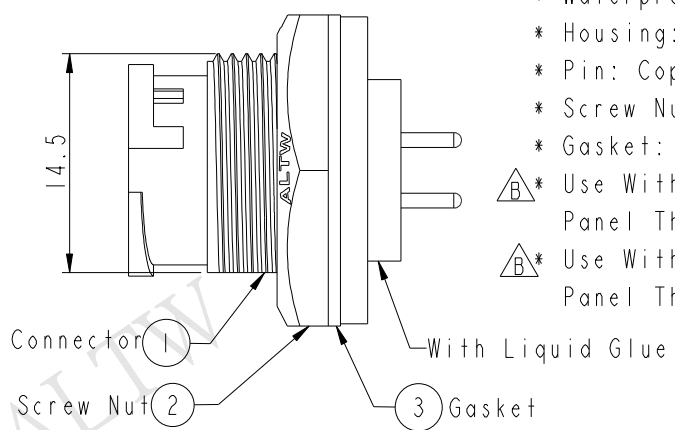
2Pin Male Connector
 Male Pin PCB Layout



Pin Assignments
 Front View



Recommended Panel Cut-out



Note:

- * CC Important Dimension To Check.
- * Waterproof Rate: IP67
- * Housing: Nylon+GF, Black
- * Pin: Copper Alloy, Gold Plated
- * Screw Nut: Nylon+GF, Black
- * Gasket: EPDM, Black
- $\triangle B$ * Use With Waterproof Cap Or Dust Cap
 Panel Thickness Max: 3.0mm
- $\triangle B$ * Use Without Waterproof Cap Or Dust Cap
 Panel Thickness Max: 4.5mm

UNIT:mm	
TOLERANCE	
.X	±0.25
.XX	±0.1
.XXX	±0.05
ANGLES	±1°

TITLE Standard Panel Lock 2Pin M Conn M Pin			
SCALE 2:1	SIZE A4	SHEET 1 OF 1	
REV. C	WC-REV. A.2	CC : Inspection item	

Amphenol LTW
 安費諾亮泰企業股份有限公司

ITEM NO BD-02PMMP-LC7001	DRAWN BY Jinhai	DATE 2014-12-23
DWG NO BD-02PMMP-LC7001	CHECKED BY Tom	DATE 2014-12-23
CUSTOMER ALTW	APPROVED BY Jerry	DATE 2014-12-23

THIS DOCUMENT IS SUBJECT TO CHANGE WITHOUT NOTICE. IT IS CONFIDENTIAL AND A PROPERTY OF AMPHENOL LTW. DISCLOSURE TO THIRD PARTY HAS TO BE AUTHORIZED BY AMPHENOL LTW.

