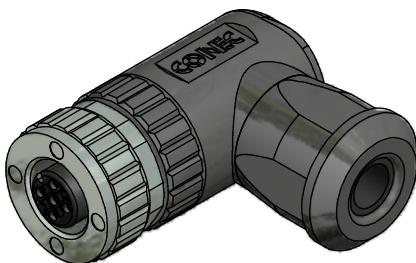
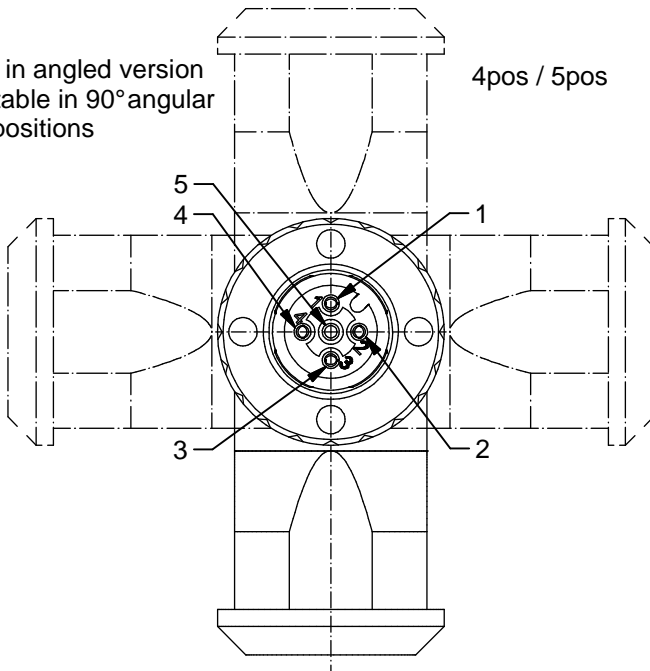


Housing in angled version is mountable in 90° angular degree positions

4pos / 5pos



Technical specification:

Rated voltage: IEC 61076-2-101	4pos 5pos 250 V 60 V
Current rating: IEC 61076-2-101	4 A at 40°C
Insulation resistance: IEC 60512	>=100 MΩ
Pollution degree: IEC 60664-1	3/2
Degree of protection: IEC 60529	IP 67, in mated condition
Temperature range: IEC 60664-1	-30°C ... +85°C
Mating cycles: IEC 60512-9a	>=100
Wire cross section:	AWG18 / max. 0,75 mm²

Materials:

Contact:	CuZn
Contact plating:	Nickel, gold plated
Contact carrier:	PA6, UL 94
Screw connection	CuZn / nickel, tin plated
Cable seal:	Elastomere
O-Ring:	FKM / NBR
Coupling nut:	GD-Zn, nickel plated
Housing:	PA6 GF, UL 94

Installation specification:

Recommended torque:	0,6 Nm
Conec installation tooling:	Torque wrench: 36-000200 Insert across flats 18: 36-000240

Part no:	Description:	Pos:	Cable-Ø:
43-00096	SAL - 12 - RKWC4 - S / 075	4	4 - 8 mm
43-00098	SAL - 12 - RKWC5 - S / 075	5	4 - 8 mm

title: Female connector M12x1, field attachable, angled, screw connection	
dwg no: 43K1A835	
part no:	see table

DO NOT ALTER CAD DRAWING BY HAND	Directive 2002/95/EC RoHS compliant	Index: c 01.02.11 dbu Ä3769 Coupling nut modified, spanner flats added, data sheet modified
		THIS DRAWING MAY NOT BE COPIED OR REPRODUCED IN ANY WAY, AND MAY NOT BE PASSED ON TO A THIRD PARTY WITHOUT WRITTEN PERMISSION. OWNERSHIP AND COPYRIGHT OF CONEC GmbH

dim. in mm

	date	name
drawn	19.01.09	Burschik
appd.	19.01.09	Schmidt

CONEC®